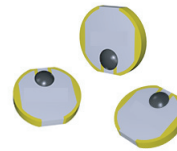


LONG RANGE RFID TAG IDEAL FOR METAL SURFACES



ART923X1015YZ10-IC

 RoHS/RoHS II Compliant

 ESD Sensitive

MSL= 1

FEATURES

- 0.45 meter read range on metal surfaces
- Wide -30°C to 85°C operating temperature range
- UHF band operation 902 to 928MHz
- Matched for lowest return loss at 915MHz
- Tag incorporates matched Alien H3 RFIC
- Ø10.0mm, 1.5mm height ceramic tag
- ISO 18000-6C/EPC Class1 Gen2 compliant
- Peel & Stick easy installation
- Suitable for non-metal surfaces
- Robust, long life over wide temperature range

APPLICATIONS

- Asset tracking: vehicles, machinery, tools, steel containers, servers, etc.
- Product inventory management: metallic assemblies, chassis, doors, equipment, etc.
- Industrial Internet of Things (IIoT)
- Automatic Vehicle Identification (AVI)
- Wildlife Identification and Waste Management
- Long distance RFID /Non-Stop Access Control

STANDARD SPECIFICATIONS

PARAMETERS	MINIMUM	TYPICAL	MAXIMUM	UNITS	NOTE
Range of Receiving Frequency		902-928		MHz	
Frequency of Lowest Return Loss		915±5		MHz	(Based On 200 x 200mm GND Plane)
IC Protocol		ISO 18000-6C/EPC Class1 Gen2			
Memory		96 EPC		Bits	
		512 User		Bits	
Reading Range		45		cm	
Working Temperature	-30		+85	°C	
Storage Temperature	-40		+110	°C	
Frequency Temperature Coefficient		0±10		ppm/°C	
ESD (HBM)			2	KV	2KV Class 2 HBM

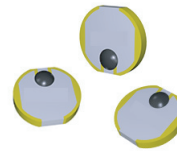
REVISED: 07/19/2018



5101 Hidden Creek Lane Spicewood TX 78669
 Phone: 512-371-6159 | Fax: 512-351-8858
 For terms and conditions of sale please visit:
www.abracon.com

ABRACON IS
 ISO9001-2015
 CERTIFIED

LONG RANGE RFID TAG IDEAL FOR METAL SURFACES



ART923X1015YZ10-IC

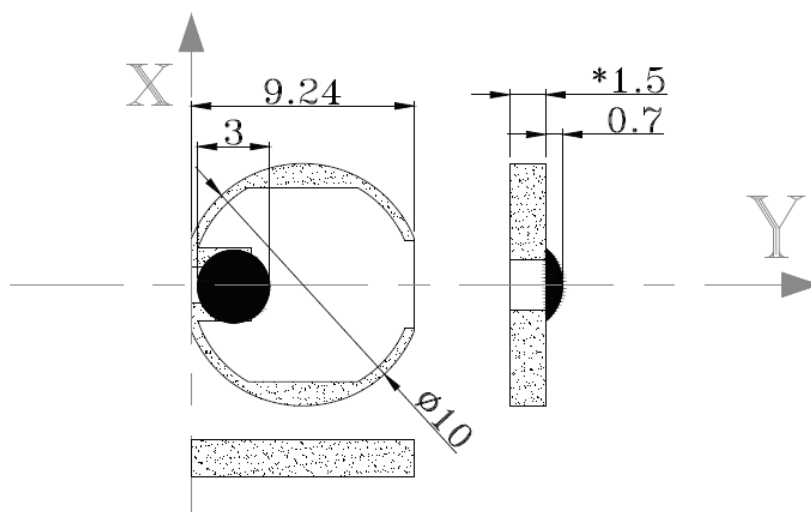
 RoHS/RoHS II Compliant

 ESD Sensitive

MSL= 1

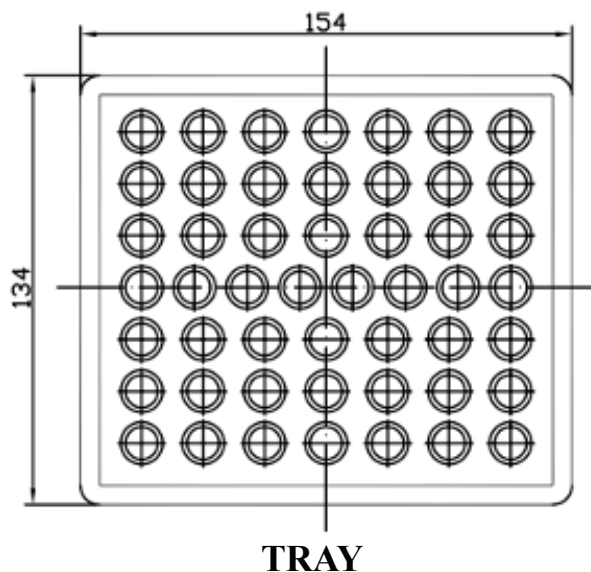
MECHANICAL DIMENSIONS (ALL DIMENSIONS ARE IN mm)

Tolerances are $\pm 0.2\text{mm}$, unless otherwise specified*



Mounting: Mounted with adhesive/tape (not included).

PACKAGING



PACKAGE TYPE	QUANTITY
Tray	50 pcs/tray
Opp Bag	400pcs/ Vacuum Bag
MOQ	4000pcs

CAUTION

1. Do not apply excess mechanical stress to the component body or terminations. Do not attempt to re-form or bend the components as this will cause damage to the component.
2. Do not expose the component to open flame.
3. This specification applies to the functionality of the component as a single unit. For optimal performance, in-circuit validation is recommended.
4. Electrostatic sensitive device; observe standard precautions for handling.

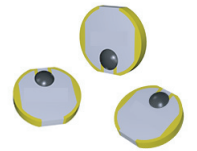
REVISED: 07/19/2018



5101 Hidden Creek Lane Spicewood TX 78669
 Phone: 512-371-6159 | Fax: 512-351-8858
 For terms and conditions of sale please visit:
www.abracon.com

ABRACON IS
 ISO9001-2015
 CERTIFIED

LONG RANGE RFID TAG IDEAL FOR METAL SURFACES



ART923X1015YZ10-IC

 **RoHS/RoHS II Compliant**

 **ESD Sensitive**

MSL= 1

NOTES

1. The parts are manufactured in accordance with this specification. If other conditions and specifications which are required for this specification, please contact ABRACON for more information.
2. ABRACON will supply the parts in accordance with this specification unless we receive a written request to modify prior to an order placement.
3. In no case shall ABRACON be liable for any product failure from in appropriate handling or operation of the item beyond the scope of this specification.
4. When changing your production process post-validation, please notify ABRACON immediately.
5. ABRACON's products are COTS – Commercial-Off-The-Shelf products; suitable for Commercial, Industrial and, where designated, Automotive Applications. ABRACON's products are not specifically designed for Military, Aviation, Aerospace, Life-dependant Medical applications or any application requiring high reliability where component failure could result in loss of life and/or property damage.
6. All specifications and Marking will be subject to change without notice.

REVISED: 07/19/2018



5101 Hidden Creek Lane Spicewood TX 78669
Phone: 512-371-6159 | Fax: 512-351-8858
For terms and conditions of sale please visit:
www.abracon.com

ABRACON IS
ISO9001-2015
CERTIFIED

X-ON Electronics

Largest Supplier of Electrical and Electronic Components

Click to view similar products for [NFC/RFID Tags & Transponders](#) category:

Click to view products by [ABRACON](#) manufacturer:

Other Similar products are found below :

[PNEV512B,699](#) [V680-D1KP54T](#) [V680S-A40 50M](#) [PN7120A0EV/C10801Y](#) [TRPGR30ATGA](#) [SPS1M003B](#) [SPS1M003A](#) [SPS1M002B](#)
[SPS1M002A](#) [V680S-A40 10M](#) [V680-D1KP66T](#) [ATA5577M2330C-DBQ](#) [60208](#) [60170](#) [P5DF081X0/T1AD2060](#) [MF1S5030XDA8/V1J](#)
[MF1S7030XDA4/V1J](#) [HT1MOA4S30/E/3J](#) [HT2MOA4S20/E/3/RJ](#) [MFRC52302HN1,157](#) [TRPGR30ATGB](#) [NRF51822-QFAA-R](#)
[20926410601](#) [CLRC66303HNE](#) [ART915X1620TX16-IC](#) [ART915X2117225TX21-IC](#) [28448](#) [ART923X1015YZ10-IC](#)
[ART868X130903TX13](#) [ART868X25275YZ25](#) [ART915X050503OP-IC](#) [ART915X100202TO-IC](#) [ART915X100503JA-IC](#)
[ART915X130930TX13-IC](#) [ART915X250903AM-IC](#) [ART915X2509EP60-IC](#) [ART915X252503MA-IC](#) [ART915X25275YZ25](#)
[ART915X25275YZ25-IC](#) [ART923X1015YZ10](#) [AS3932-BTST](#) [AS3933-BTST](#) [20926410802](#) [LXMSJZNCMF-198](#) [MIKROE-779](#) [13356-](#)
[0571](#) [13356-1151](#) [13356-1351](#) [13356-1401](#) [13356-1431](#)