

HCMOS SURFACE-MOUNT CRYSTAL CLOCK OSCILLATOR



2.0 x 1.6 x 0.7 mm

ASA SERIES

Moisture Sensitivity Level (MSL) – This product is Hermetically Sealed and not Moisture Sensitive - MSL = N/A: Not Applicable

RoHS/RoHS II Compliant

FEATURES:

- Ultra miniature package, 2.0 x 1.6 x 0.7mm
- Tri-state function
- Suitable for high density SMT
- Suitable for RoHS compliant reflow process
- Seam sealed package assures high reliability

APPLICATIONS:

- CCD clock for VTR camera
- Computers and peripherals
- Portable electronics
- Mobile communication, PDA

STANDARD SPECIFICATIONS:

Parameters		Minimum	Typical	Maximum	Units	Notes
Frequency Range		1.0		80	MHz	
Operating Temperature		-10		+60	°C	See options
Storage Temperature		-40		+85	°C	
Overall Frequency Stability*		-50		+50	ppm	See options
Supply Voltage (Vdd)		2.97	3.3	3.66	V	Standard
		2.25	2.5	2.75		Option 1 (CMOS)
		1.62	1.8	1.98		Option 2 (CMOS)
Supply Current (I _{dd}) into 15pF Load	Vdd = 3.3 V		2.0	5.0	mA	1MHz $\leq F \leq 20\text{ MHz}$
			4.0	10.0		20 MHz <math>< F \leq 50\text{ MHz}</math>
			7.0	15.0		50 MHz <math>< F \leq 80\text{ MHz}</math>
	Vdd = 2.5 V		2.0	5.0		1MHz $\leq F \leq 20\text{ MHz}$
			3.0	10.0		20 MHz <math>< F \leq 50\text{ MHz}</math>
			5.0	10.0		50 MHz <math>< F \leq 80\text{ MHz}</math>
	Vdd = 1.8 V		1.5	5.0		1MHz $\leq F \leq 20\text{ MHz}$
			2.5	5.0		20 MHz <math>< F \leq 50\text{ MHz}</math>
			4.0	10.0		50 MHz <math>< F \leq 80\text{ MHz}</math>
Output Load				15	pF	
				2	TTL	
Output Voltage	V _{OH}	0.9*Vdd			V	CMOS
	V _{OL}			0.1*Vdd		CMOS
	V _{OH}	2.4				TTL
	V _{OL}			0.4		TTL
Tri-state function		"1" (VIH ≥ 0.7*Vdd) or Open : Oscillation "0" (VIH < 0.3*Vdd) : Hi Z				
Aging		-3.0		+3.0	ppm	@+25°C First year
Symmetry @1/2Vdd		40	50	60	%	Standard
		45	50	55		Option S
Start-up Time				10.0	ms	
Rise/Fall Time (Tr/Tf)				10.0	ns	

*Overall frequency stability includes initial frequency tolerance @+25°C and stability over the operating temperature.

OPTIONS AND PART IDENTIFICATION:

(Left blank if standard)

ASA - MHz - - - -

Supply Voltage
Blank: 3.3V±10%
1: 2.5 V±10%
2: 1.8 V±10%

Packaging
Blank: Bulk
T: Tape & Reel (1kpcs)
T3: Tape & Reel (3kpcs)

Frequency in MHz
Please specify the frequency in MHz. e.g. 14.31818MHz

Operating Temp.
Blank: -10°C ~ +60°C
E: -20°C ~ +70°C
L: -40°C ~ +85°C

Overall Freq. Stability
Blank: ±50ppm
R**: ±25ppm
K***: ±30 ppm

Symmetry
Blank: 40/60% @1/2Vdd
S: 45/55% @1/2Vdd

**Available for -10 to +60°C only
***Available for -10 to +60°C, option E only
Contact Abracon for tighter frequency stability options

ABRACON IS
ISO9001:2008
CERTIFIED



Visit www.abracon.com for Terms & Conditions of Sale **Revised: 01.24.14**
30332 Esperanza, Rancho Santa Margarita, California 92688
tel 949-546-8000 | fax 949-546-8001 | www.abracon.com

HCMOS SURFACE-MOUNT CRYSTAL CLOCK OSCILLATOR



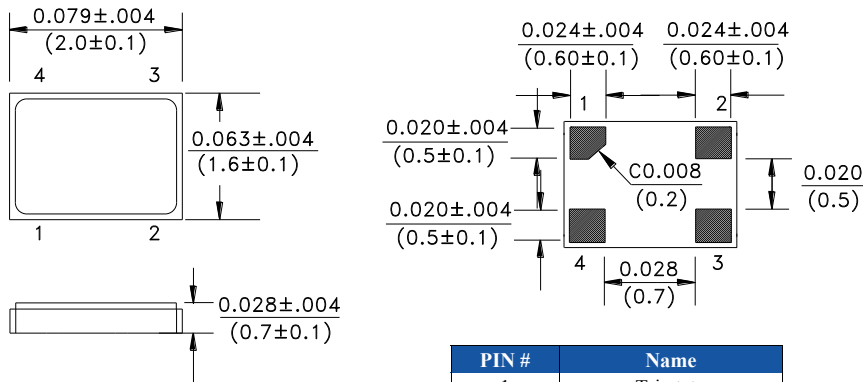
ASA

2.0 x 1.6 x 0.7mm

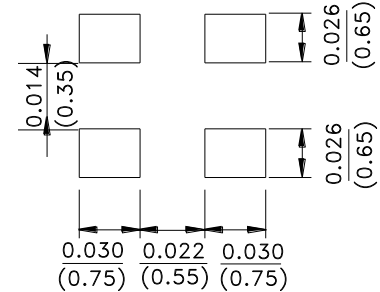
ASA SERIES

RoHS/RoHS II Compliant

OUTLINE DRAWING:



Recommended land pattern

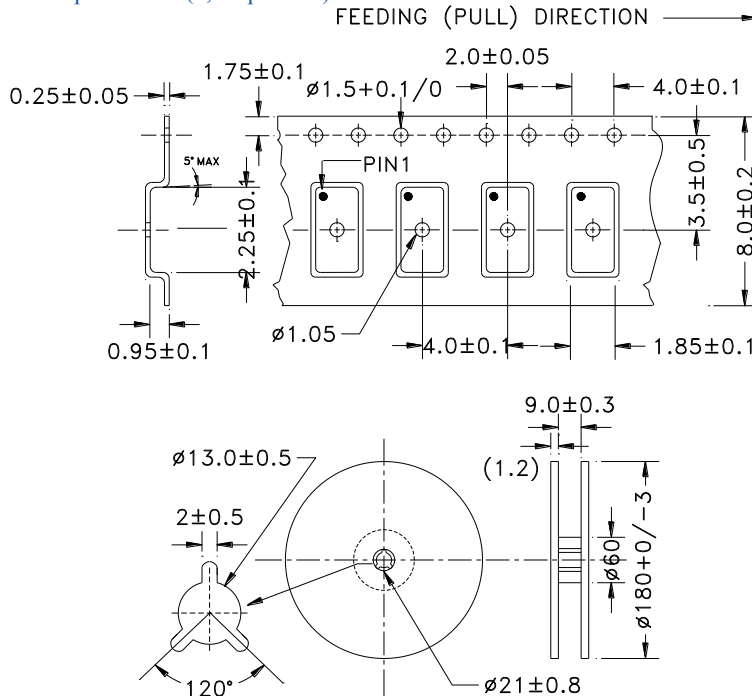


Dimensions: inches (mm)

PIN #	Name
1	Tri-state
2	GND
3	Output
4	Vdd

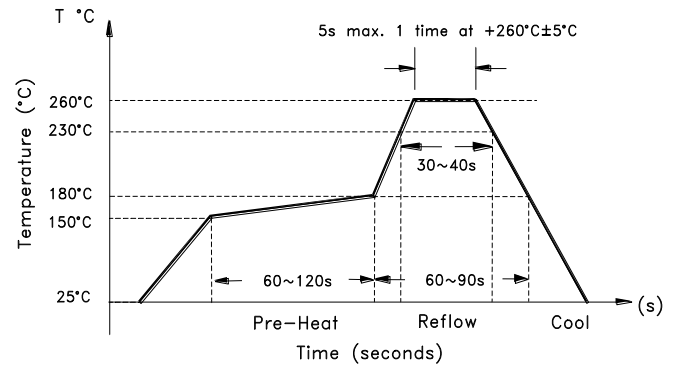
TAPE & REEL:

T= Tape and reel (1,000pcs/reel)
T3= Tape and reel (3,000pcs/reel)



Dimensions: mm

REFLOW PROFILE:



Need a test socket for the ASA Series? To view compatible **PRECISION TEST & BURN-IN SOCKETS** for these parts, [click here](#).

ATTENTION: Abracon Corporation's products are COTS – Commercial-Off-The-Shelf products; suitable for Commercial, Industrial and, where designated, Automotive Applications. Abracon's products are not specifically designed for Military, Aviation, Aerospace, Life-dependant Medical applications or any application requiring high reliability where component failure could result in loss of life and/or property. For applications requiring high reliability and/or presenting an extreme operating environment, written consent and authorization from Abracon Corporation is required. Please contact Abracon Corporation for more information.

ABRACON IS
ISO9001:2008
CERTIFIED



Visit www.abracon.com for Terms & Conditions of Sale **Revised: 01.24.14**
30332 Esperanza, Rancho Santa Margarita, California 92688
tel 949-546-8000 | fax 949-546-8001 | www.abracon.com

X-ON Electronics

Largest Supplier of Electrical and Electronic Components

Click to view similar products for [Standard Clock Oscillators](#) category:

Click to view products by [ABRACON](#) manufacturer:

Other Similar products are found below :

[601252](#) [F335-12](#) [F335-25](#) [F535L-33.333](#) [F535L-50](#) [ASV-20.000MHZ-LR-T](#) [ECS-2018-160-BN-TR](#) [MXO45HS-2C-66.6666MHZ](#)
[SiT8209AI-32-33E-125.000000](#) [SIT8918AA-11-33S-50.000000G](#) [SM4420TEV-40.0M-T1K](#) [F335-24](#) [F335-40](#) [F535L-10](#) [F535L-12](#) [F535L-](#)
[16](#) [F535L-24](#) [F535L-27](#) [F535L-48](#) [PE7744DW-100.0M](#) [CSX-750FCC14745600T](#) [ASF1-3.686MHZ-N-K-S](#) [XO57CTECNA3M6864](#) [ECS-](#)
[2100A-147.4](#) [601251](#) [EP16E7E2H26.000MTR](#) [SIT8918AA-11-33S-16.000000G](#) [XO3003](#) [9120AC-2D2-33E212.500000](#) [9102AI-](#)
[243N25E100.00000](#) [8208AC-82-18E-25.00000](#) [ASDK2-32.768KHZ-LR-T3](#) [8008AI-72-XXE-24.545454E](#) [8004AC-13-33E-133.33000X](#) [AS-](#)
[4.9152-16-SMD-TR](#) [ASFL1-48.000MHZ-LC-T](#) [SIT8920AM-31-33E-25.0000](#) [DSC1028DI2-019.2000](#) [9121AC-2C3-25E100.00000](#) [9102AI-](#)
[233N33E100.00000X](#) [9102AI-233N25E200.00000](#) [9102AI-232H25S125.00000](#) [9102AI-133N25E200.00000](#) [9102AC-283N25E200.00000](#)
[9001AC-33-33E1-30.000](#) [XLH536125.000JS4I](#) [3921AI-2CF-33NZ125.000000](#) [5730-1SF](#) [PXA000010](#) [SIT1602BC-83-33E-10.000000Y](#)