

# 3.3V CMOS SMD Crystal Oscillator



3.2 x 2.5 x 1.2mm

**ASE SERIES**



RoHS/RoHS II compliant

Moisture Sensitivity Level (MSL) –1

## FEATURES:

- Low height 1.2mm max
- Tri-state function
- Low current consumption 30mA max for 200MHz
- Low RMS jitter 5ps max
- Suitable for RoHS reflow
- Available for tight stability option

## APPLICATIONS:

- CCD clock for VTR camera
- Equipment connected to PC or PC cards
- PDA, wireless communication.
- Laptop, SSD (Solid State Drive)

## STANDARD SPECIFICATIONS:

Parameters	Minimum	Typical	Maximum	Units	Notes
Frequency Range	0.625		200	MHz	
Operating Temperature	-10		+70	°C	STD (See options)
Storage Temperature	-55		+125	°C	
Overall Frequency Stability	-100		+100	ppm	See options
Supply Voltage (Vdd)	+3.135	3.3	+3.465	V	
Supply Current (Idd)		2.5	7	mA	0.5 ~ 20 MHz
		4.4	13		20.1 ~ 40.0 MHz
		6.5	19		40.01 ~ 60.0 MHz
		12.7	24		60.01 ~ 75.0 MHz
		7.4	20		75.01 ~ 80.0 MHz
		7.4	25		80.01 ~ 133.0MHz
		11.7	30		133.01 ~ 200.0 MHz
Symmetry @ 1/2Vdd	45	50	55	%	0.5 ~ 80.0MHz
	40	50	60		80.01 ~ 200.0MHz
Rise and Fall Time (Tr/Tf)		2.5	4.0	ns	0.5 ~ 20 MHz
		2.4	4.0		20.1 ~ 40.0 MHz
		2.4	4.0		40.01 ~ 60.0 MHz
		2.3	4.0		60.01 ~ 75.0 MHz
		1.5	4.0		75.01 ~ 133.0 MHz
		1.9	4.0		133.01 ~ 200.0 MHz
Output Load			15	pF	CMOS
Output Voltage (VOH)	0.9* Vdd			V	
Output Voltage (VOL)			0.1* Vdd	V	
Start-up Time		1	2.0	ms	0.5 ~ 20 MHz
		1	2.0		20.1 ~ 40.0 MHz
		1	2.0		40.01 ~ 60.0 MHz
		1	2.0		60.01 ~ 75.0 MHz
		1.2	2.0		75.01 ~ 133.0 MHz
		1.5	2.0		133.01 ~ 200.0 MHz
Tri-state function (Stand-by)	"1" (VIH≥0.7*Vdd) or Open: Oscillation; "0" (VIL<0.3*Vdd) : No oscillation/Hi Z				
Peak to Peak Jitter		28		ps	Reference only. Contact ABRACON for the Jitter
RMS Jitter:		3.2	5	ps	0.5 ~ 20 MHz
		3.2	5		20.1 ~ 40.0 MHz
		3.2	5		40.01 ~ 60.0 MHz
		3.2	5		60.01 ~ 75.0 MHz
		2.2	5		75.01 ~ 133.0 MHz
		2.2	5		133.01 ~ 200.0 MHz
Aging at 25°C (first year)	-3		+3	ppm	
Stand-by Current:			10	µA	

# 3.3V CMOS SMD Crystal Oscillator



3.2 x 2.5 x 1.2mm

**ASE SERIES**

**Pb** RoHS/RoHS II compliant

## OPTIONS & PART IDENTIFICATION: (Left blank if standard)

ASE -  MHz -  -  -

Frequency in MHz
e.g. 0.625MHz
24.576MHz
14.31818MHz
26.000MHz
200.000MHz

Operating Temp.
I: 0°C ~ +50°C
D: -10°C ~ +60°C
E: -20°C ~ +70°C
F: -30°C ~ +70°C
N: -30°C ~ +85°C
L: -40°C ~ +85°C

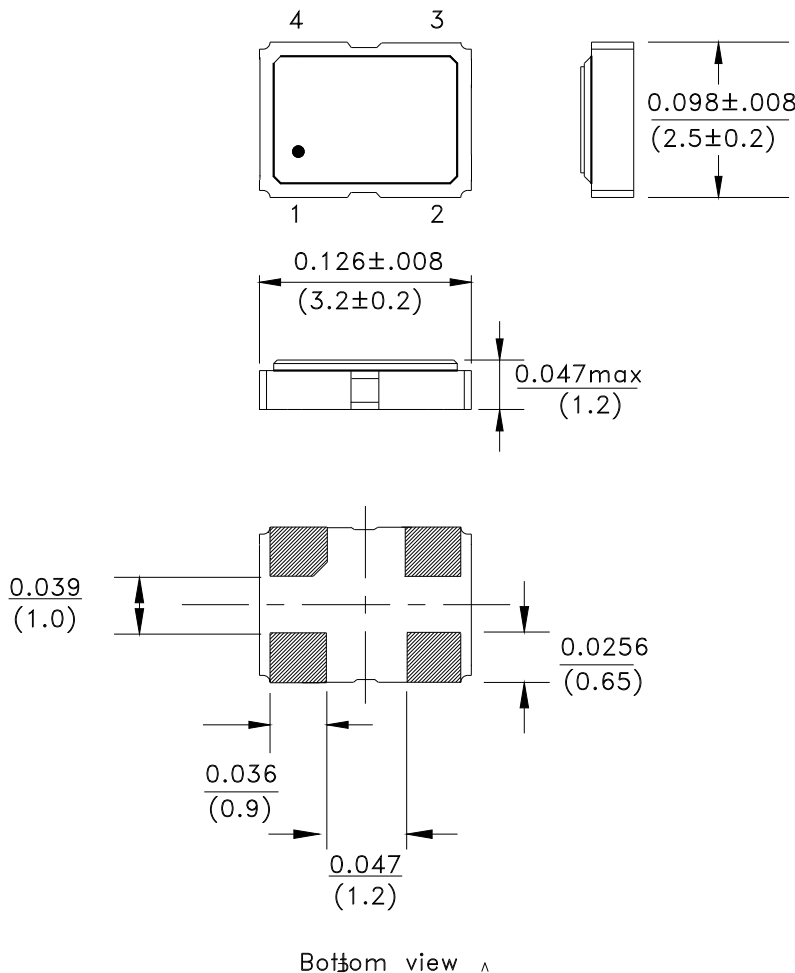
Contact ABRACON for wider temperature range.

Overall Freq. Stability
J(*): ±20ppm
R: ±25ppm
K: ±30ppm
H: ±35ppm
B: ±40ppm
C: ±50ppm

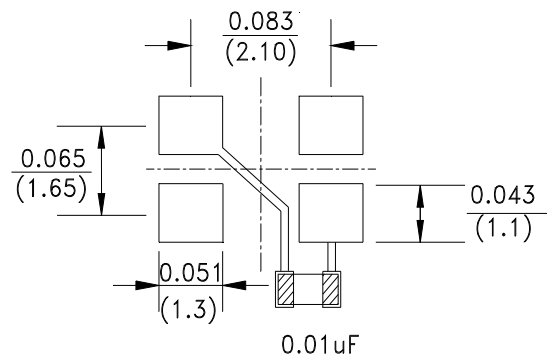
\*: Temp options I, D, E, and -10°C to +70°C only

Packaging
Blank: Bulk
T: 1000pcs/Reel
T2: 250pcs/Reel
T3: 3000pcs/Reel

## OUTLINE DIMENSIONS:



Recommended land pattern



Pin	Function
1	Tri-State (STBY)
2	GND/Case
3	Output
4	Vdd

Note1: Recommend using an approximately 0.01uF bypass capacitor between PIN 2 and 4.

Note2: The outline package configuration varies with frequency range. Electrical properties, pin configuration, and land pattern are the same.

**Dimensions: inches (mm)**

# 3.3V CMOS SMD Crystal Oscillator

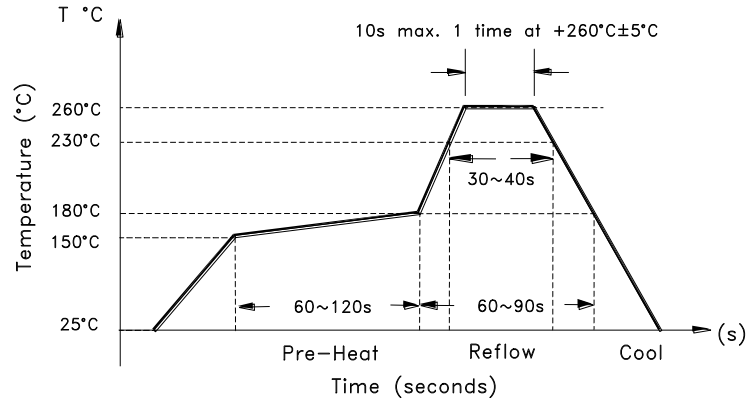


3.2 x 2.5 x 1.2mm

ASE SERIES

RoHS/RoHS II compliant

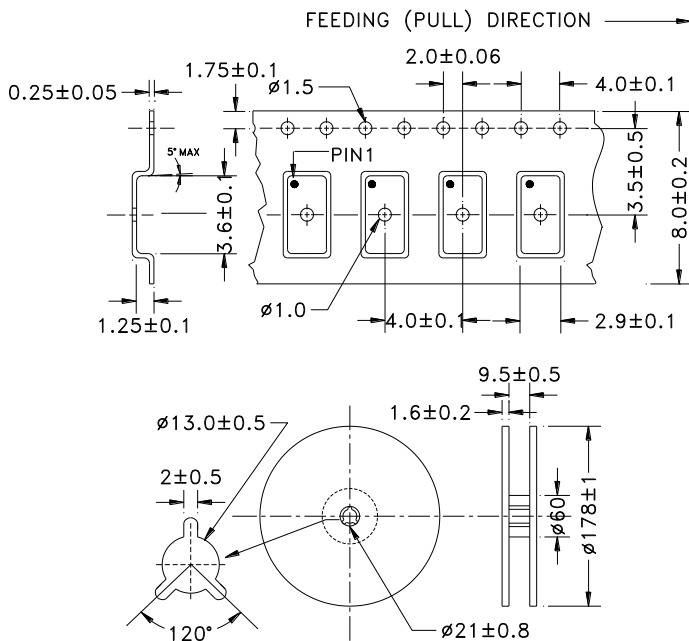
## REFLOW PROFILE:



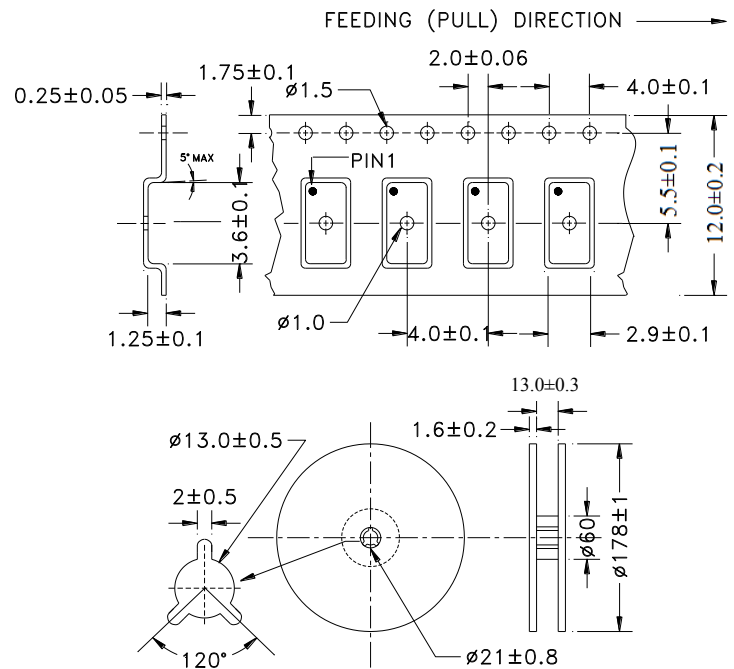
## TAPE & REEL:

- T: 1000pcs/reel
- T2: 250pcs/reel
- T3: 3000pcs/reel

### 8mm Tape Width



### 12mm Tape Width



Dimensions: mm



Need a test socket for the ASE Series? To view compatible **PRECISION TEST & BURN-IN SOCKETS** for these parts, [click here](#).

**ATTENTION:** Abracon Corporation's products are COTS – Commercial-Off-The-Shelf products; suitable for Commercial, Industrial and, where designated, Automotive Applications. Abracon's products are not specifically designed for Military, Aviation, Aerospace, Life-dependant Medical applications or any application requiring high reliability where component failure could result in loss of life and/or property. For applications requiring high reliability and/or presenting an extreme operating environment, written consent and authorization from Abracon Corporation is required. Please contact Abracon Corporation for more information.

ABRACON IS  
ISO9001:2008  
CERTIFIED



Visit [www.abracon.com](http://www.abracon.com) for Terms & Conditions of Sale **Revised: 03.06.14**  
30332 Esperanza, Rancho Santa Margarita, California 92688  
tel 949-546-8000 fax 949-546-8000 | [www.abracon.com](http://www.abracon.com)

## X-ON Electronics

Largest Supplier of Electrical and Electronic Components

*Click to view similar products for [Standard Clock Oscillators](#) category:*

*Click to view products by [ABRACON](#) manufacturer:*

Other Similar products are found below :

[EP1400SJTSC-125.000M](#) [601137](#) [601252](#) [CSX750FBC-24.000M-UT](#) [CSX750FBC-33.333M-UT](#) [CSX750FCC-3.6864M-UT](#) [F335-12](#) [F335-25](#) [DSC506-03FM2](#) [ASA-20.000MHZ-L-T](#) [ASA-25.000MHZ-L-T](#) [ASA-27.000MHZ-L-T](#) [ASV-20.000MHZ-LR-T](#) [ECS-2018-160-BN-TR](#) [EL13C7-H2F-125.00M](#) [MXO45HS-2C-66.6666MHZ](#) [SiT1602BI-22-33E-50.000000E](#) [SIT8003AC-11-33S-2.04800X](#) [SiT8256AC-23-33E-156.250000X](#) [SIT8918AA-11-33S-50.000000G](#) [SM4420TEV-40.0M-T1K](#) [SMA4306-TL-H](#) [F335-24](#) [F335-40](#) [F335-50](#) [F535L-10](#) [F535L-12](#) [F535L-16](#) [F535L-27](#) [F535L-48](#) [PE7744DW-100.0M](#) [CSX750FBC-20.000M-UT](#) [CSX-750FBC33333000T](#) [CSX750FBC-4.000M-UT](#) [CSX750FBC-7.3728M-UT](#) [CSX750FBC-8.000M-UT](#) [CSX-750FCC14745600T](#) [CSX750FCC-16.000M-UT](#) [CSX-750FCC40000000T](#) [CSX750FCC-4.000M-UT](#) [ASA-22.000MHZ-L-T](#) [ASA2-26.000MHZ-L-T](#) [ASA-40.000MHZ-L-T](#) [ASA-48.000MHZ-L-T](#) [ASA-60.000MHZ-L-T](#) [ASF1-3.686MHZ-N-K-S](#) [XLH735025.000JU4I8](#) [XLP725125.000JU6I8](#) [XO37CTECNA10M](#) [XO57CRECNA16M](#)