

Programmable - High Performance SMD XO & VCXO (LVDS Output)



2.5 x 2.0 x 1.0 mm

ASG2-D



Moisture Sensitivity Level (MSL) – 1

FEATURES:

- +2.5V or +3.3V operation
- -40°C to +85°C standard operating temperature range
- Miniature size 2.5 x 2.0 x 1.0 mm Ceramic SMT Package
- Short lead time

APPLICATIONS:

- Networking
- SONET/SDH
- WiMax / WLAN
- Computing
- Phase Locked Loops
- Direct Digital Synthesis (DDS)
- DSL/ADSL
- Base Terminal Stations

STANDARD SPECIFICATIONS:

Parameters		Minimum	Typical	Maximum	Units	Notes
Frequency Range		8		1500	MHz	
Operating Temperature		-40		+85	°C	
Storage Temperature		-55		+125	°C	
Overall Frequency Stability		-50		+50	ppm	See Note # 1
Initial Tolerance + Stability over operating temperature		-35.00		+35.00	ppm	
Supply Voltage (V _{dd})	V _{dd} = 3.3V	3.135	3.300	3.465	V	
	V _{dd} = 2.5V	2.375	2.500	2.625	V	
Input Current				40	mA	Frequency dependent
LVDS Output (OUT & OUT ₋)	Differential Output Voltage Swing		350		mV	V _{OD}
	Duty Cycle	45		55	%	@1.25V
	Rise Time			600	ps	RL=100Ω/CL=10pF
	Fall Time			600	ps	RL=100Ω/CL=10pF
Enable/Disable Function		"1" (V _{IH} ≥ 0.7*V _{dd}) or Open: Oscillation "0" (V _{IL} < 0.3*V _{dd}) : High Z				
Control Voltage Range		0		V _{dd}	V	For VCXO Only
Absolute Pull Range		±35			ppm	For VCXO Only
Control Port Bandwidth		10			kHz	For VCXO Only
Linearity				15	%	For VCXO Only
Slope		Positive				For VCXO Only
Phase jitter RMS (12kHz to 20MHz offset)			1.0	1.8	ps	See Note #2

Note #1: Inclusive of initial tolerance at 25°C±3°C, operating temperature range, input voltage variation, load variation & 15 years aging at 25°C.

Note #2: The rms jitter integrated over 12kHz to 20MHz Bandwidth is dependent on the carrier and whether or not the final frequency is achieved without engaging the Fractional Mode



Programmable - High Performance SMD XO & VCXO (LVDS Output)



2.5 x 2.0 x 1.0 mm

ASG2-D

ESD Sensitive

RoHS / RoHS II Compliant

TEST CIRCUIT



OPTIONS & PART IDENTIFICATION:

ASG2 - D - - - MHz -

Fixed or Pull-able
X = Fixed Oscillator
V = VCXO

Operating Voltage
3.30V = A
2.50V = B

Frequency in MHz
Please specify the Frequency in MHz e.g. 100.000 MHz

Packaging
Blank = Bulk
T = Tape & Reel

RECOMMENDED REFLOW PROFILE



ABRACON IS
ISO9001:2008
CERTIFIED

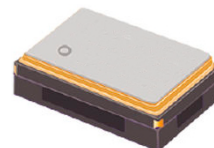


**ABRACON
CORPORATION**

Visit www.abracon.com for Terms & Conditions of Sale
 30332 Esperanza, Rancho Santa Margarita, California 92688
 tel 949-546-8000 | fax 949-546-8001 | www.abracon.com

Revised: 07.01.14

Programmable - High Performance SMD XO & VCXO (LVDS Output)



2.5 x 2.0 x 1.0 mm

ASG2-D

ESD Sensitive

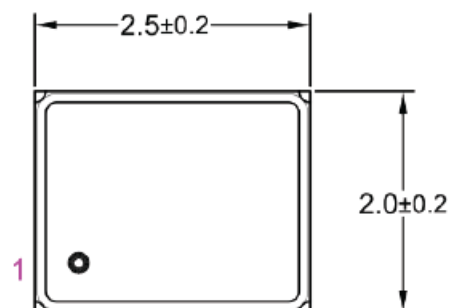
RoHS / RoHS II Compliant

OUTLINE DIMENSION:

Pin #	Pin Description For VCXO configuration
1	Voltage Control for VCXO
2	Output Enable (OE) <i>or</i> No Connect (N/C)
3	GND
4	RF Output
5	Complimentary Output
6	Vdd

Pin #	Pin Description For XO configuration
1	Output Enable (OE)
2	No Connect (N/C) for XO
3	GND
4	RF Output
5	Complimentary Output
6	Vdd

Top View



Bottom View



Recommended Land Pattern



Side View



Dimensions: mm

Programmable - High Performance SMD XO & VCXO (LVDS Output)

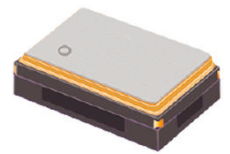
ASG2-D



ESD Sensitive



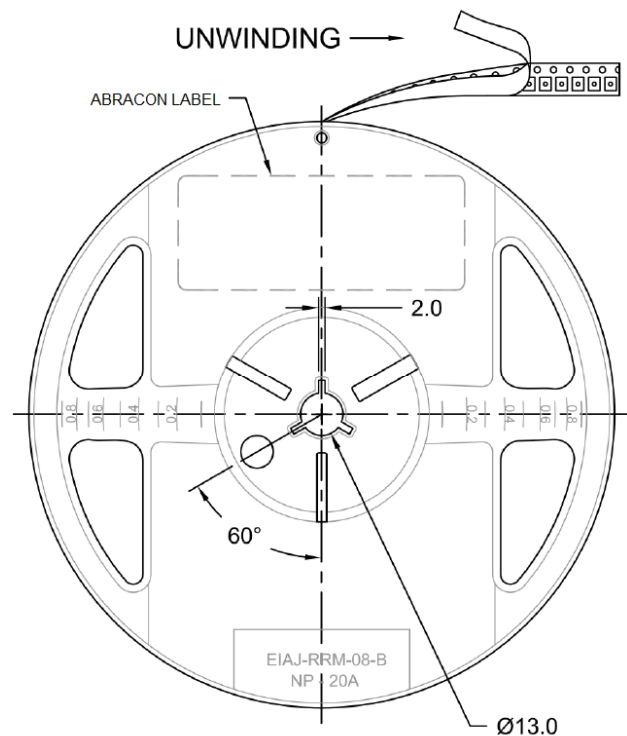
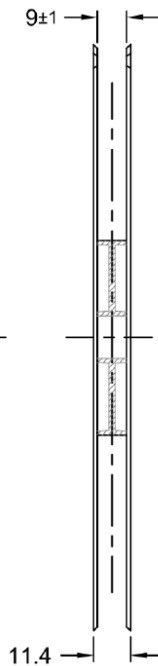
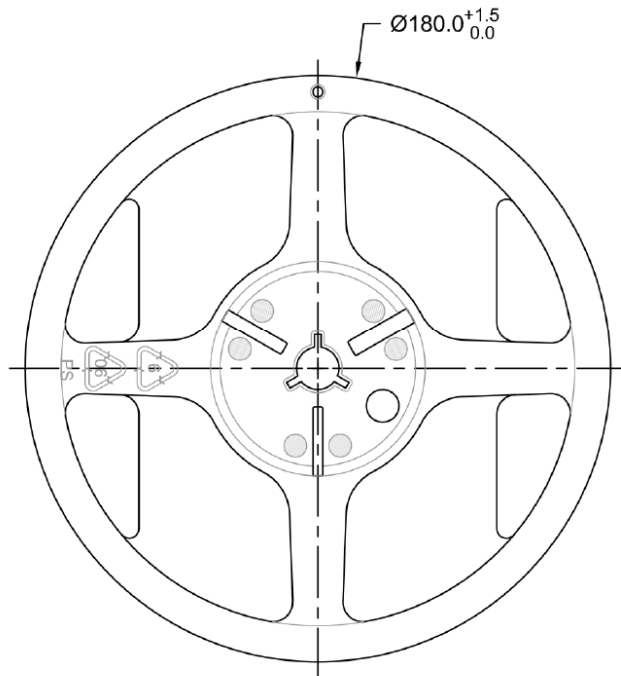
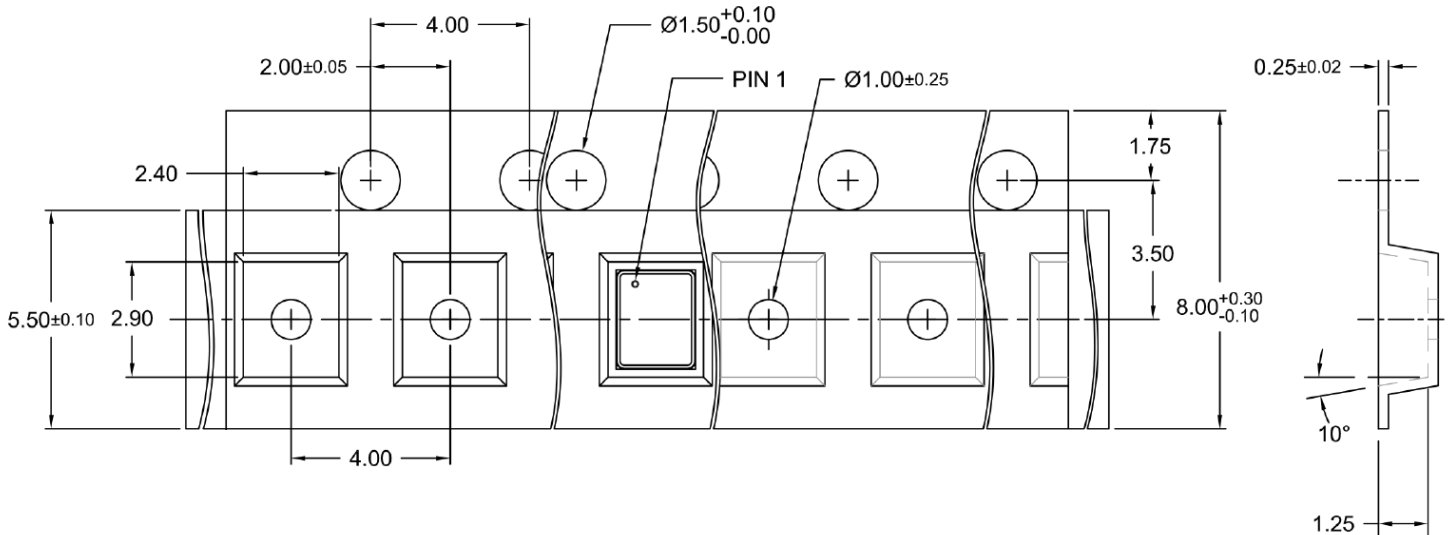
RoHS / RoHS II Compliant



2.5 x 2.0 x 1.0 mm

TAPE & REEL:

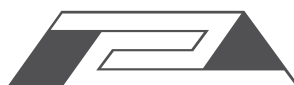
T= Tape and reel (3,000pcs/reel)



Dimensions: mm

ATTENTION: Abracon Corporation's products are COTS – Commercial-Off-The-Shelf products; suitable for Commercial, Industrial and, where designated, Automotive Applications. Abracon's products are not specifically designed for Military, Aviation, Aerospace, Life-dependant Medical applications or any application requiring high reliability where component failure could result in loss of life and/or property. For applications requiring high reliability and/or presenting an extreme operating environment, written consent and authorization from Abracon Corporation is required. Please contact Abracon Corporation for more information.

ABRACON IS
ISO9001:2008
CERTIFIED



**ABRACON
CORPORATION**

Visit www.abracon.com for Terms & Conditions of Sale
30332 Esperanza, Rancho Santa Margarita, California 92688
tel 949-546-8000 | fax 949-546-8001 | www.abracon.com

Revised: 07.01.14

X-ON Electronics

Largest Supplier of Electrical and Electronic Components

Click to view similar products for [Standard Clock Oscillators](#) category:

Click to view products by [ABRACON](#) manufacturer:

Other Similar products are found below :

[601252](#) [F335-12](#) [F335-25](#) [F535L-33.333](#) [F535L-50](#) [ASV-20.000MHZ-LR-T](#) [ECS-2018-160-BN-TR](#) [EL13C7-H2F-125.00M](#) [MXO45HS-2C-66.6666MHZ](#) [SiT8209AI-32-33E-125.000000](#) [SM4420TEV-40.0M-T1K](#) [F335-24](#) [F335-40](#) [F535L-10](#) [F535L-12](#) [F535L-16](#) [F535L-24](#) [F535L-27](#) [F535L-48](#) [PE7744DW-100.0M](#) [CSX-750FCC14745600T](#) [ASF1-3.686MHZ-N-K-S](#) [XO57CTECNA3M6864](#) [ECS-2100A-147.4](#) [601251](#) [EP16E7E2H26.000MTR](#) [SIT8918AA-11-33S-16.000000G](#) [XO3003](#) [9120AC-2D2-33E212.500000](#) [9102AI-243N25E100.00000](#) [8208AC-82-18E-25.00000](#) [ASDK2-32.768KHZ-LR-T3](#) [8008AI-72-XXE-24.545454E](#) [8004AC-13-33E-133.33000X](#) [AS-4.9152-16-SMD-TR](#) [ASFL1-48.000MHZ-LC-T](#) [SIT8920AM-31-33E-25.0000](#) [DSC1028DI2-019.2000](#) [9121AC-2C3-25E100.00000](#) [9102AI-233N33E100.00000X](#) [9102AI-233N25E200.00000](#) [9102AI-232H25S125.00000](#) [9102AI-133N25E200.00000](#) [9102AC-283N25E200.00000](#) [9001AC-33-33E1-30.000](#) [XLH536125.000JS4I](#) [3921AI-2CF-33NZ125.000000](#) [5730-1SF](#) [PXA000010](#) [XLH535050.000000X](#)