

Programmable - High Performance SMD Crystal Oscillator

ASG-C Series

Moisture Sensitivity Level (MSL) - This product is Hermetically Sealed and not Moisture Sensitive; therefore MSL = N/A (Not Applicable)



RoHS
Compliant



7.0 x 5.0 x 2.0mm

FEATURES:

- ASG series is a High Performance crystal based oscillator; available either as an XO or a VCXO
- Frequency range from 10MHz to 250MHz with LVCMOS output
- Available from 10MHz to 1.50GHz with LVDS or LVPECL output
- Offered with either 2.50V or 3.30V bias voltage
- Quick turn, 1~5 business days for small quantity orders

APPLICATIONS:

- Networking, SONET/SDH
- WiMax / WLAN
- Computing
- Phase Locked Loops
- Direct Digital Synthesis (DDS)
- DSL/ADSL
- Base Terminal Stations

STANDARD SPECIFICATIONS:

Parameters	Minimum	Typical	Maximum	Units	Notes	
Frequency Range:	V _{dd} = 3.3V	10	250	MHz		
	V _{dd} = 2.5V	10	250	MHz		
Operating Temperature:	-40		+85	°C		
Storage Temperature:	-55		+125	°C		
Overall Frequency Stability:	-50		+50	ppm	<i>See Note # 1</i>	
Initial Set Tolerance	-5.00	≤ ±1.00	+5.00	ppm		
Stability over operating temperature	-35.00	≤ ±20.00	+35.00	ppm		
Aging @ 25°C over 10-years	-7.00		+7.00	ppm		
Frequency variation over supply voltage change (±5%)	-2.00		+2.00	ppm		
Frequency variation over load variation (15pF ± 5%)	-1.00		+1.00	ppm		
Supply Voltage (V _{dd}):	V _{dd} = 3.3V	3.135	3.300	3.465	V	
	V _{dd} = 2.5V	2.375	2.500	2.625	V	
Input Current:	V _{dd} = 3.3V		45	mA	Frequency dependent	
	V _{dd} = 2.5V		35	mA	Frequency dependent	
Symmetry:	48	50	52	%	@ 1/2V _{dd}	
Rise and Fall Time (Tr/Tf):		≤ 450	1000	ps		
Output Load:			15	pF	CMOS	
Output Voltage:	VOH	V _{dd} * 0.90		V		
	VOL		V _{dd} * 0.10	V		
Start-up Time:		≤ 2.0	3.0	ms		
Enable/Disable Function :	"1" (V _{IH} ≥ 0.7*V _{dd}) or Open: Oscillation "0" (V _{IL} < 0.3*V _{dd}) : High Z					
Vcontrol Range	0.00		V _{dd}	Volts		
Frequency Pull	±50			ppm		
Control Port Bandwidth	10			kHz		
Phase jitter RMS [t _{jitt(φ)}] <i>See Note #2</i>	Integer Mode		< 0.60	1.60	ps	12kHz to 20MHz
	Fractional Mode		< 0.90	1.60	ps	12kHz to 20MHz

Note #1: Inclusive of initial tolerance at 25°C±3°C, operating temperature range, input voltage variation, load variation & aging.

Note #2: The rms jitter over 12kHz to 20MHz Bandwidth is dependent on the carrier and whether or not the final frequency is achieved without engaging the Fractional Mode

ABRACON IS
ISO9001:2008
CERTIFIED



ABRACON
CORPORATION

Visit www.abracon.com for Terms & Conditions of Sale **Revised: 04.27.12**
30332 Esperanza, Rancho Santa Margarita, California 92688
tel 949-546-8000 | fax 949-546-8001 | www.abracon.com

Programmable - High Performance SMD Crystal Oscillator

ASG-C Series

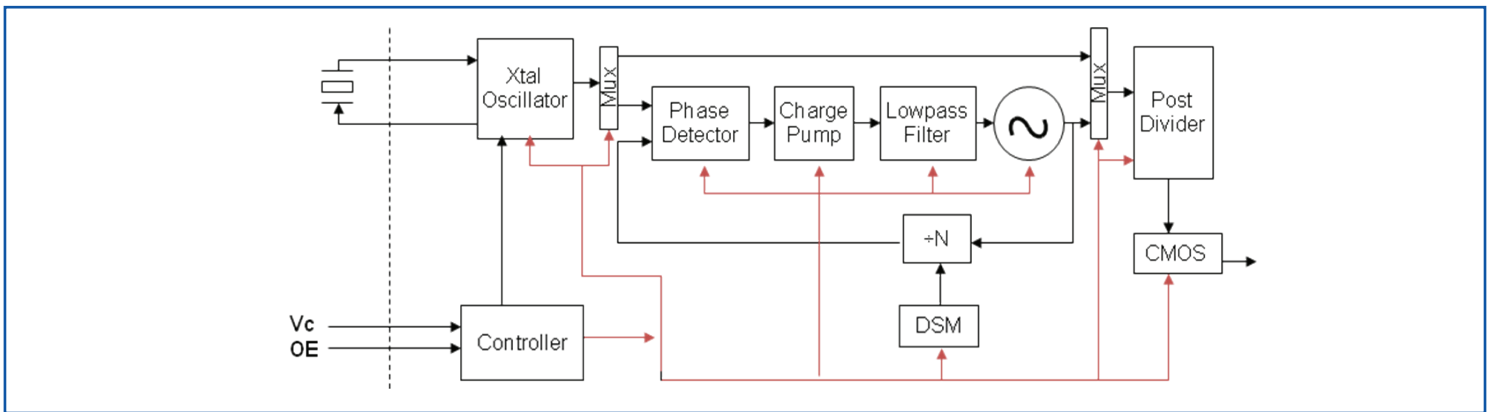


RoHS
Compliant



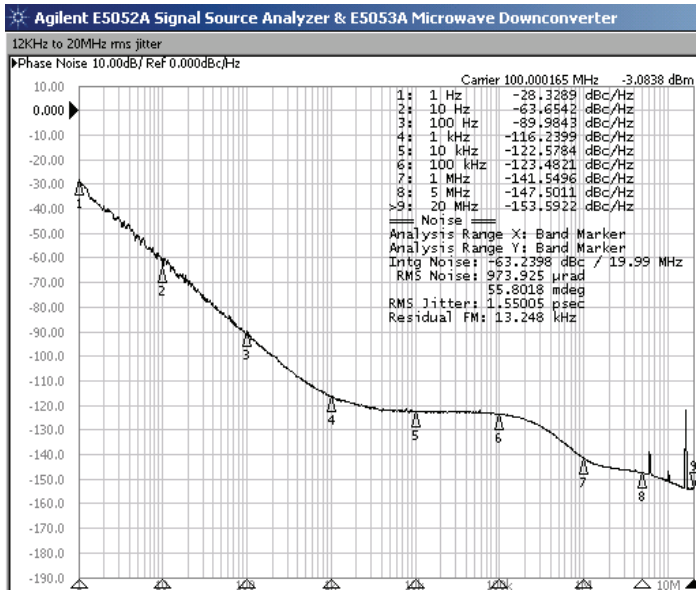
7.0 x 5.0 x 2.0mm

OVERALL SYSTEM BLOCK DIAGRAM

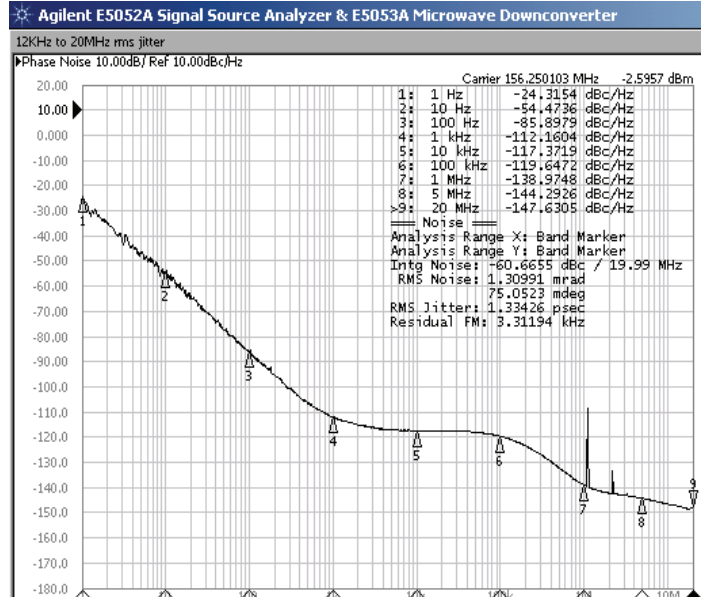


PHASE NOISE & JITTER CHARACTERISTICS

100MHz Carrier



156.25MHz Carrier



Programmable - High Performance SMD Crystal Oscillator

ASG-C Series



RoHS
Compliant



7.0 x 5.0 x 2.0mm

FREQUENCY STABILITY VS. TEMPERATURE



FREQUENCY PULLING VS. CONTROL VOLTAGE (VCXO MODE)



PART IDENTIFICATION:



MARKING:



Programmable - High Performance SMD Crystal Oscillator

ASG-C Series



RoHS
Compliant



7.0 x 5.0 x 2.0mm

OUTLINE DIMENSIONS:

Pin #	Pin Description For VCXO configuration
1	Voltage Control for VCXO
2	Output Enable (OE)
3	GND
4	RF Output
5	N/C
6	Vdd

Pin #	Pin Description For XO configuration
1	Output Enable (OE)
2	N/C for XO
3	GND
4	RF Output
5	N/C
6	Vdd



REFLOW PROFILE:



ABRACON IS
ISO9001:2008
CERTIFIED



ABRACON
CORPORATION

Visit www.abracon.com for Terms & Conditions of Sale **Revised: 04.27.12**
30332 Esperanza, Rancho Santa Margarita, California 92688
tel 949-546-8000 | fax 949-546-8001 | www.abracon.com

Programmable - High Performance SMD Crystal Oscillator

ASG-C Series



RoHS
Compliant



7.0 x 5.0 x 2.0mm

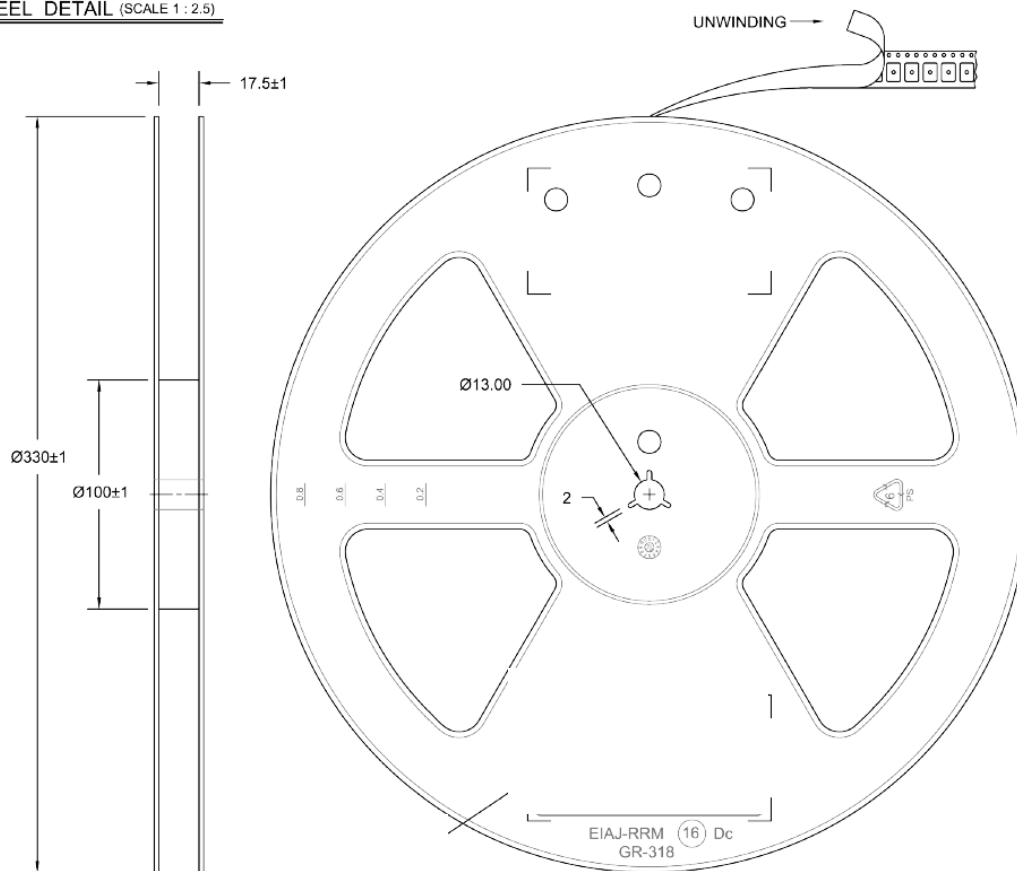
TAPE & REEL:

T= Tape and reel (2,000pcs/reel)

TAPE DETAIL (SCALE 2 : 1)



REEL DETAIL (SCALE 1 : 2.5)



ATTENTION: Abracon Corporation's products are COTS – Commercial-Off-The-Shelf products; suitable for Commercial, Industrial and, where designated, Automotive Applications. Abracon's products are not specifically designed for Military, Aviation, Aerospace, Life-dependant Medical applications or any application requiring high reliability where component failure could result in loss of life and/or property. For applications requiring high reliability and/or presenting an extreme operating environment, written consent and authorization from Abracon Corporation is required. Please contact Abracon Corporation for more information.

ABRACON IS
ISO9001:2008
CERTIFIED

Visit www.abracon.com for Terms & Conditions of Sale **Revised: 04.27.12**
30332 Esperanza, Rancho Santa Margarita, California 92688
tel 949-546-8000 | fax 949-546-8001 | www.abracon.com

X-ON Electronics

Largest Supplier of Electrical and Electronic Components

Click to view similar products for [VCXO Oscillators](#) category:

Click to view products by [ABRACON](#) manufacturer:

Other Similar products are found below :

[3808AI-DF-33NG-80.0000](#) [SIT3808AI-CF-33EM-50.000000X](#) [YNETHE125](#) [FRSONT019](#) [SiT3701AC-43-33C-10.00000X](#) [315LB3I1250T](#)
[CVPD-922X-100.000](#) [FY3HCJM45.1584-BULK](#) [CVSS-945-125.000](#) [SiT3807AC-C2-33EB-12.288000Y](#) [CVHD-950-122.880](#) [CVHD-950-80.000](#) [CVHD-950X-100.000](#) [CVHD-950X-122.88](#) [CVPD-920-100.000](#) [LFTVXO009900BULK](#) [LFTVXO009905BULK](#)
[LFTVXO009909BULK](#) [LFVCXO025892](#) [MK3722GLFTR](#) [LFTVXO009900](#) [BTCS5-40MCFACBT](#) [CVHD-950X-50.000](#) [ABLJO-V-122.880MHZ-T2](#) [357LB3I032M7680](#) [357LB3I040M0000](#) [357LB3I016M3840](#) [CVHD-950-76.800](#) [CVSS-945-50.000](#) [XLH73V060.000000X](#)
[EV32C6A3A1-24.576M-TR](#) [ECXV-L37C2N-148.500](#) [XLP73V625.000000I](#) [CD-700-LAF-HAD-50M0000000-CT](#) [CVHD-950X-120.000](#)
[ECXV-P37C2M-640.000](#) [LFTVXO076348CUTT](#) [CVPD-920-80.000](#) [LFTVXO076344CUTT](#) [CVHD-957-22.57920](#) [ECXV-P37C2N-184.320](#)
[LFTVXO076346CUTT](#) [LFTVXO072344CUTT](#) [LFTVXO076349CUTT](#) [LFVCXO025892BULK](#) [ASG-D-V-A-1.000GHZ](#) [ASG-D-V-A-491.520MHz](#) [ECS-2532VXO-270B-2.8](#) [CVHD-950-125.000](#) [CVHD-950-74.25](#)