

# 32.768kHz SMD CRYTAL OSCILLATOR

ASH7K

3.2 x 1.5 x 1.0mm

ASH7K



RoHS  
Compliant

## FEATURES:

- Ultra-miniature size 3.2x1.5x1.0mm [max.]
- Low Voltage Operation (Min:1.5V)
- Low Current Consumption (3.5uA Max @1.5V)
- Operating temperature : -40 to +85 °C
- VDD controls the output amplitude
- Tri-state function

## APPLICATIONS:

- Factory Automation
- PC Sever
- W-LAN/GPS Chipset
- General purpose clock generator for digital systems
- Clock drivers for Real Time Clocks
- Timekeeping in network servers and computers
- Electricity, gas and water metering
- Portable field communication
- Mobile phone
- Clock & Data recovery
- CCD clock for VTR camera
- Computers and peripherals
- Portable MP3 players & games

## STANDARD SPECIFICATIONS

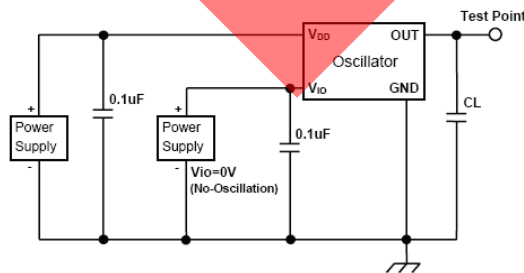
Parameters	Minimum	Typical	Maximum	Units	Notes
Center Frequency	-----	32.768	-----	kHz	
Operating Temperature	-40	-----	+85	°C	
Storage Temperature	-55	-----	+125	°C	Store as bare product after unpacking
Frequency Tolerance	-18	+5	+28	ppm	Ref: Ta=+25±2°C; V <sub>dd</sub> =3.3V; Preset frequency after 2 times reflow
Overall Frequency Stability	-120	-----	+10	ppm	-20~70°C (+25°C is reference)
	-170	-----	+10		-40~85°C (+25°C is reference)
Supply Voltage Range (V <sub>dd</sub> )	1.5	-----	3.6	V	V <sub>dd</sub> =3.3V
Supply Voltage Range (V <sub>IO</sub> )	1.5	-----	3.6	V	Input Voltage on pin 1
V <sub>dd</sub> Current Consumption	-----	-----	0.7	μA	
V <sub>IO</sub> Current Consumption	-----	-----	0.8	μA	No Load, V <sub>IO</sub> =3.3V±0.3V
	-----	-----	3.5		Load=15pF, V <sub>IO</sub> =3.3V±0.3V
Output Load (CMOS)	-----	-----	15	pF	CMOS Load
Output Voltage	V <sub>OH</sub>	V <sub>IO</sub> -0.4	-----	V	IOH=-0.4mA
	V <sub>OL</sub>	-----	0.4		IOL=+0.4mA
Aging	-3.0	-----	+3.0	ppm/year	@+25±2°C
Symmetry	45	-----	55	%	@50% V <sub>IO</sub>
Disable Delay Time	-----	-----	1.0	μs	
Start-up Time	-----	-----	0.6	s	
Rise Time	-----	-----	50.0	ns	Load=15pF, 0.2V <sub>IO</sub> to 0.8V <sub>IO</sub>
Fall Time	-----	-----	50.0	ns	Load=15pF, 0.8V <sub>IO</sub> to 0.2V <sub>IO</sub>

## PART IDENTIFICATION:

ASH7K-32.768kHz-T

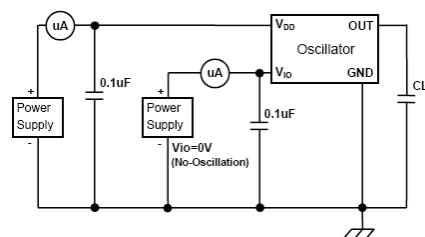
## RECOMMENDED TEST CIRCUIT

Waveform measurement



Note: CL include probe and wiring capacitance

Current consumption measurement



Note: CL include wiring capacitance  
Please measure the probe without connecting

# 32.768kHz SMD SMD CRYTAL OSCILLATOR

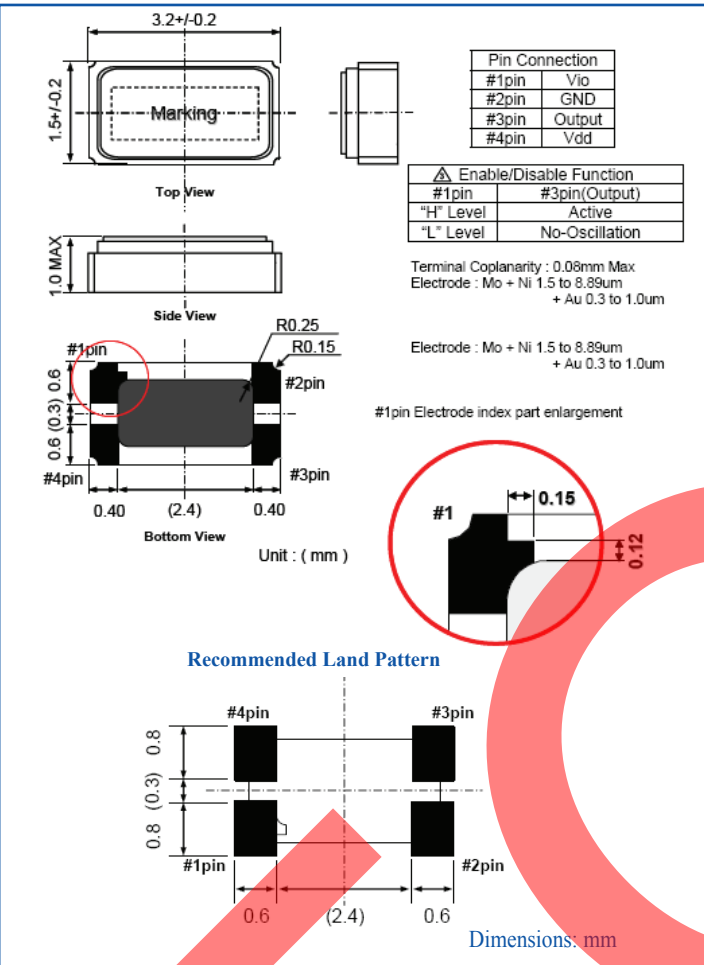


3.2 x 1.5 x 1.0mm

ASH7K

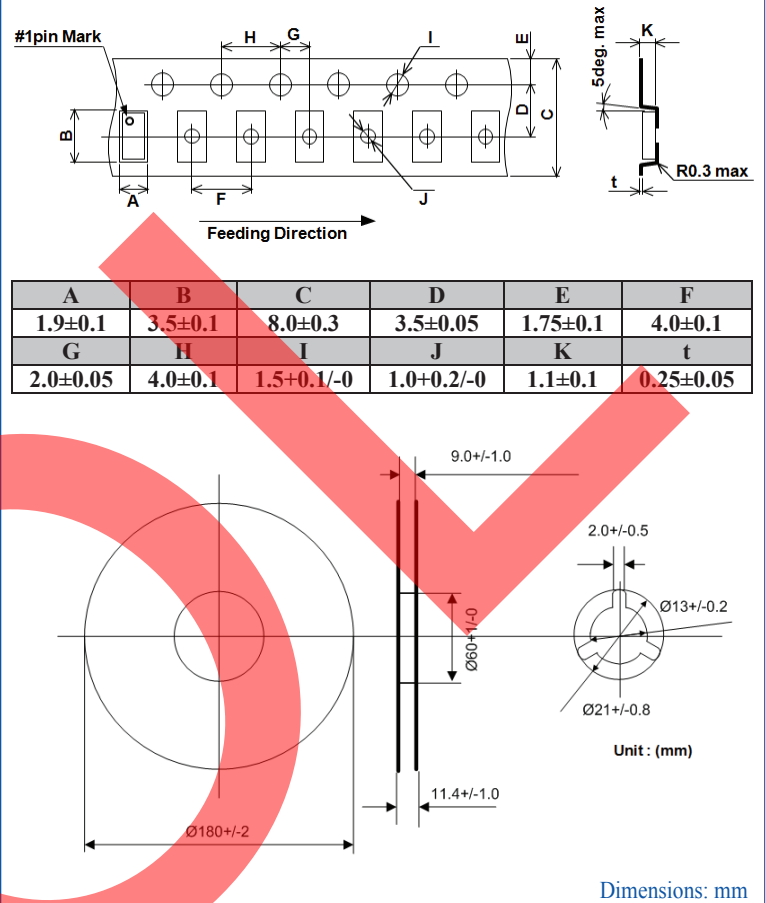


## OUTLINE DIMENSIONS

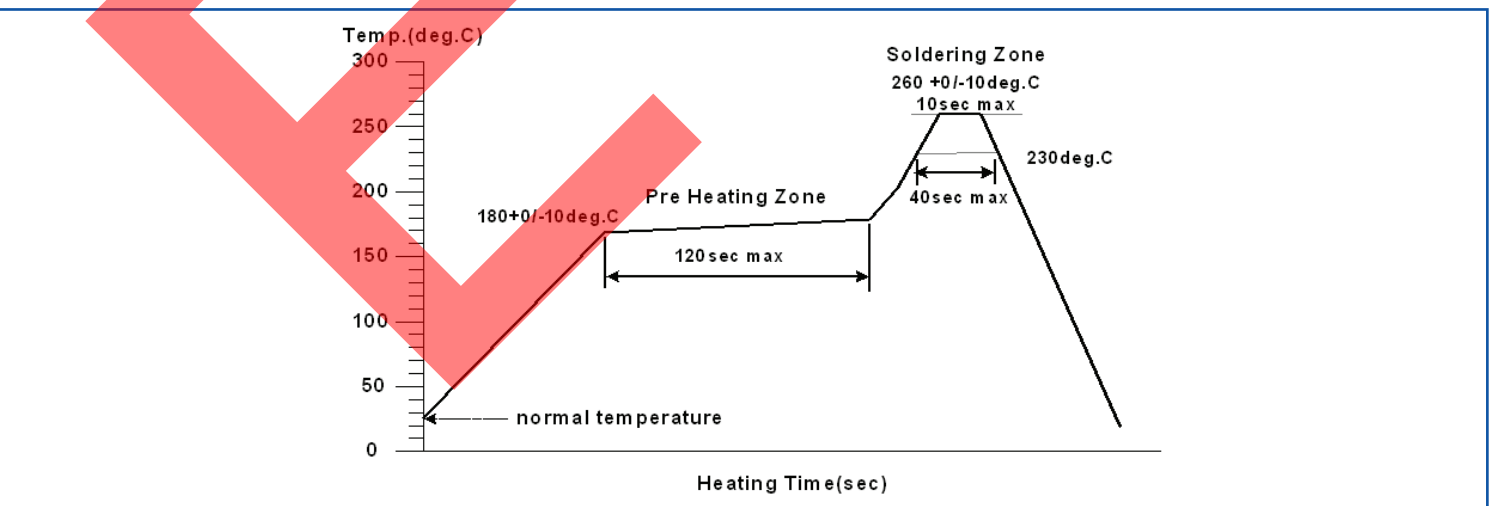


## TAPE & REEL

T= Tape and reel (3,000pcs/reel)



## REFLOW PROFILE



**ATTENTION:** Abracon Corporation's products are COTS – Commercial-Off-The-Shelf products; suitable for Commercial, Industrial and, where designated, Automotive Applications. Abracon's products are not specifically designed for Military, Aviation, Aerospace, Life-dependant Medical applications or any application requiring high reliability where component failure could result in loss of life and/or property. For applications requiring high reliability and/or presenting an extreme operating environment, written consent and authorization from Abracon Corporation is required. Please contact Abracon Corporation for more information.

ABRACON IS  
ISO9001:2008  
CERTIFIED



**ABRACON**  
CORPORATION

Visit [www.abracon.com](http://www.abracon.com) for Terms & Conditions of Sale **Revised: 12.27.11**  
30332 Esperanza, Rancho Santa Margarita, California 92688  
tel 949-546-8000 | fax 949-546-8001 | [www.abracon.com](http://www.abracon.com)

## X-ON Electronics

Largest Supplier of Electrical and Electronic Components

*Click to view similar products for [Standard Clock Oscillators](#) category:*

*Click to view products by [ABRACON](#) manufacturer:*

Other Similar products are found below :

[601252](#) [F335-12](#) [F335-25](#) [F535L-33.333](#) [F535L-50](#) [ASV-20.000MHZ-LR-T](#) [ECS-2018-160-BN-TR](#) [MXO45HS-2C-66.6666MHZ](#)  
[SiT8209AI-32-33E-125.000000](#) [SIT8918AA-11-33S-50.000000G](#) [SM4420TEV-40.0M-T1K](#) [F335-24](#) [F335-40](#) [F535L-10](#) [F535L-12](#) [F535L-16](#) [F535L-24](#) [F535L-27](#) [F535L-48](#) [PE7744DW-100.0M](#) [CSX-750FCC14745600T](#) [ASF1-3.686MHZ-N-K-S](#) [XO57CTECNA3M6864](#) [ECS-2100A-147.4](#) [601251](#) [EP16E7E2H26.000MTR](#) [SIT8918AA-11-33S-16.000000G](#) [XO3003](#) [9120AC-2D2-33E212.500000](#) [9102AI-243N25E100.00000](#) [8208AC-82-18E-25.00000](#) [ASDK2-32.768KHZ-LR-T3](#) [8008AI-72-XXE-24.545454E](#) [8004AC-13-33E-133.33000X](#) [AS-4.9152-16-SMD-TR](#) [ASFL1-48.000MHZ-LC-T](#) [SIT8920AM-31-33E-25.0000](#) [DSC1028DI2-019.2000](#) [9121AC-2C3-25E100.00000](#) [9102AI-233N33E100.00000X](#) [9102AI-233N25E200.00000](#) [9102AI-232H25S125.00000](#) [9102AI-133N25E200.00000](#) [9102AC-283N25E200.00000](#) [9001AC-33-33E1-30.000](#) [XLH536125.000JS4I](#) [3921AI-2CF-33NZ125.000000](#) [5730-1SF](#) [PXA000010](#) [SIT1602BC-83-33E-10.000000Y](#)