

# ULTRA LOW PROFILE SHIELDED SMD CHIP POWER INDUCTOR



3.0 x 3.0 x 1.0mm

ASPI-0310FS



**RoHS**  
Compliant

## FEATURES:

- Small size and low profile: 1.0mm
- Small DCR and high rated current
- High reliability to mechanical stress
- Magnetically shielded by magnetic powder molding
- Suitable for RoHS reflow profile

## APPLICATIONS:

- Mobile phones
- MP3 & 4 and other portable communication equipment
- Digital cameras.

## ELECTRICAL SPECIFICATIONS:

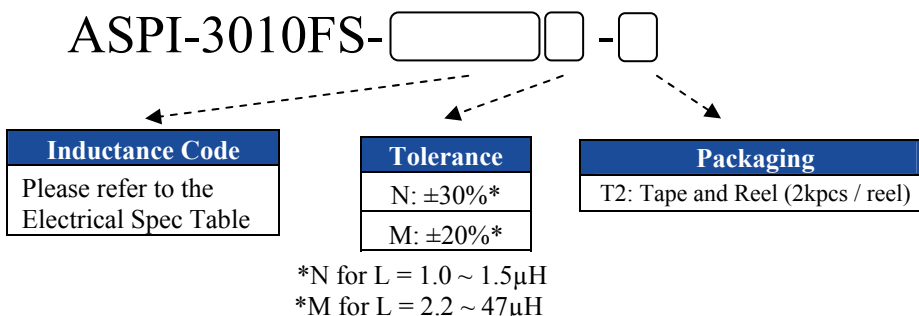
Abracon P/N:	ASPI-0310FS Series
Operating Temperature & Humidity :	-40°C to +125°C (Including self generated heat)
Storage Temperature & Humidity:	-40°C to +125°C

Part Number	Inductance	Inductance Tolerance	DCR	DCR Tolerance	Saturation Current	Temperature Rise Current
Units	μH	%	mΩ	%	A	A
Symbol	L	M, N	DCR		Isat	Irms
ASPI-0310FS-1R0	1.0	N	50	±25%	2.30	2.30
ASPI-0310FS-1R2	1.2	N	62	±30%	1.90	2.10
ASPI-0310FS-1R5	1.5	N	70		1.65	2.00
ASPI-0310FS-2R2	2.2	M	80	±20%	1.45	1.90
ASPI-0310FS-3R3	3.3	M	130		1.05	1.80
ASPI-0310FS-4R7	4.7	M	175		0.85	1.70
ASPI-0310FS-6R8	6.8	M	260		0.70	1.30
ASPI-0310FS-100	10.0	M	350		0.60	0.90
ASPI-0310FS-150	15.0	M	510		0.50	0.80
ASPI-0310FS-220	22.0	M	780		0.40	0.70
ASPI-0310FS-330	33.0	M	1100		0.32	0.50
ASPI-0310FS-470	47.0	M	1600		0.28	0.35

## Test Conditions

1. Inductance is measured in HP-4285A Precision LCR Meter.
2. RDC is measured in DU-5011 milli ohm meter.(or equivalent).
3. Isat : Based on inductance change ( $\Delta L/L_0 : \leq -30\%$ )
4. Irms : Based on temperature rise ( $\Delta T : 40^\circ\text{C TYP.}$  )
5. Test Freq: 100KHz, 1Vrms

## OPTIONS AND PART IDENTIFICATION



# ULTRA LOW PROFILE SHIELDED SMD CHIP POWER INDUCTOR



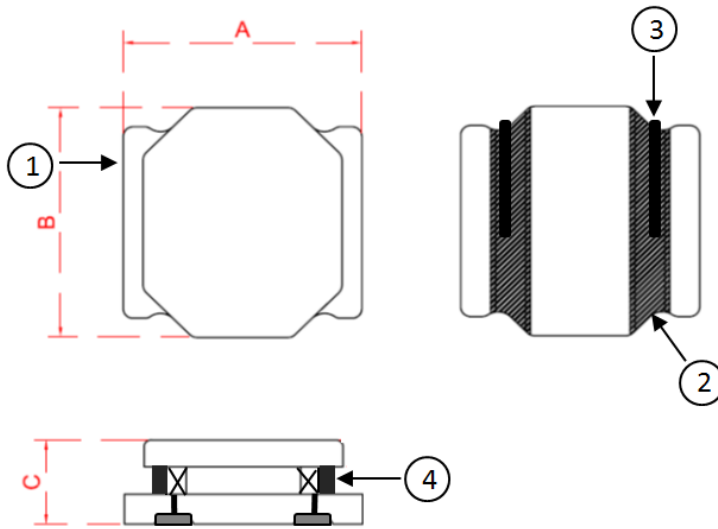
3.0 x 3.0 x 1.0mm

ASPI-0310FS



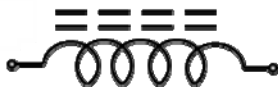
**RoHS**  
Compliant

## OUTLINE DRAWING:



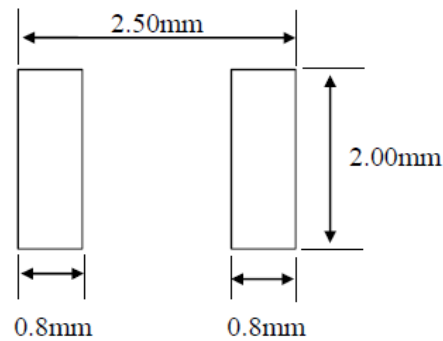
A	B	C Max.
3.0±0.1	3.0±0.1	1.0

### Circuit Schematic



No Polarity

### Recommended Land Pattern



Dimension: mm

### Materials

No	Part Name	Material
1	Ferrite core	Ni-Zn Ferrite
2	Terminals	Ag/Ni/Sn
3	Coil	Cu/P180 Grd 1
4	Adhesive	Silicon Base Resin
	Magnetic Powder	Ni-Zn Ferrite

# ULTRA LOW PROFILE SHIELDED SMD CHIP POWER INDUCTOR



3.0 x 3.0 x 1.0mm

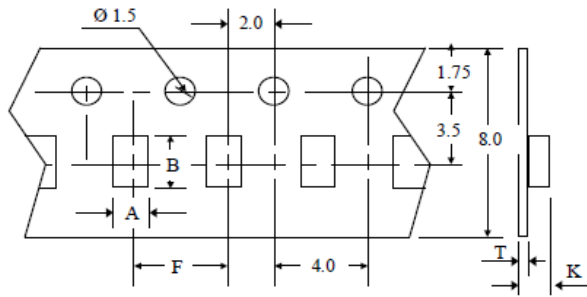
ASPI-0310FS



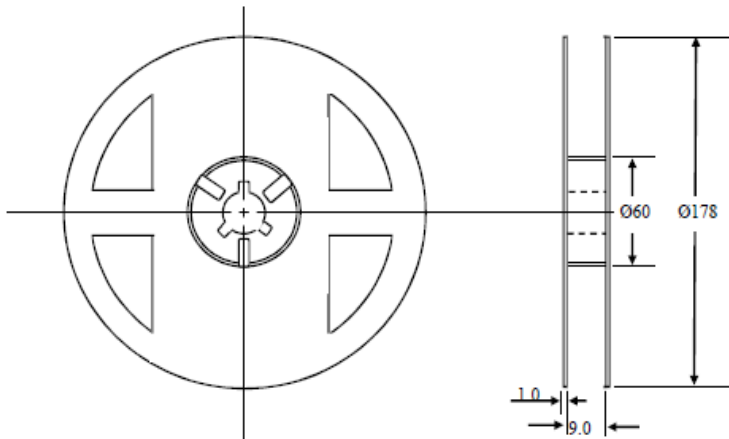
**RoHS**  
Compliant

## TAPE & REEL:

T2: 2,000pcs / reel



A	3.15
B	3.15
K	1.40
F	4
T	0.25



Dimension: mm

# ULTRA LOW PROFILE SHIELDED SMD CHIP POWER INDUCTOR



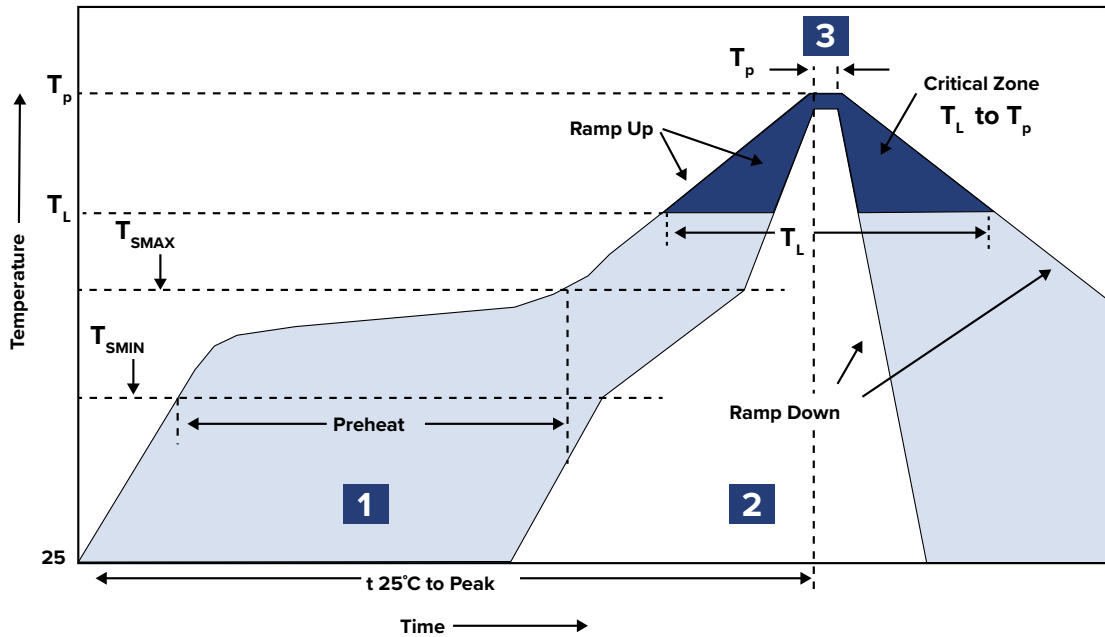
3.0 x 3.0 x 1.0mm

ASPI-0310FS



RoHS  
Compliant

## REFLOW PROFILE:



Zone	Description	Temperature	Time
1	Preheat / Soak	$T_{SMAX}$ 150°C	60 ~ 100 sec.
2	Reflow	$T_L$ 200°C	20 sec. MAX
3	Peak heat	$T_p$ 260°C	10 sec. MAX

Dimension: mm

**ATTENTION:** Abracon Corporation's products are COTS – Commercial-Off-The-Shelf products; suitable for Commercial, Industrial and, where designated, Automotive Applications. Abracon's products are not specifically designed for Military, Aviation, Aerospace, Life-dependant Medical applications or any application requiring high reliability where component failure could result in loss of life and/or property. For applications requiring high reliability and/or presenting an extreme operating environment, written consent and authorization from Abracon Corporation is required. Please contact Abracon Corporation for more information.

## X-ON Electronics

Largest Supplier of Electrical and Electronic Components

*Click to view similar products for [Fixed Inductors](#) category:*

*Click to view products by [ABRACON](#) manufacturer:*

Other Similar products are found below :

[CR43NP-680KC](#) [CR54NP-820KC](#) [CR54NP-8R5MC](#) [CTX32CT-100](#) [70F224AI](#) [MGDQ4-00004-P](#) [MHL1ECTTP18NJ](#) [MHL1JCTTD12NJ](#)  
[PE-51506NL](#) [PE-53601NL](#) [PE-53602NL](#) [PE-53630NL](#) [PE-53824SNLT](#) [PE-62892NL](#) [PE-92100NL](#) [PG0434.801NLT](#) [PG0936.113NLT](#)  
[9310-16](#) [PM06-2N7](#) [PM06-39NJ](#) [A01TK](#) [1206CS-471XJ](#) [HC2-2R2TR](#) [HC2LP-R47-R](#) [HC3-2R2-R](#) [HCF1305-3R3-R](#) [1206CS-151XG](#)  
[RCH664NP-140L](#) [RCH664NP-4R7M](#) [RCH8011NP-221L](#) [RCP1317NP-332L](#) [RCP1317NP-391L](#) [RCR1010NP-470M](#) [RCR110DNP-331L](#)  
[DH2280-4R7M](#) [DS1608C-106](#) [ASPI-4020HI-R10M-T](#) [B10TJ](#) [B82477P4333M](#) [B82498B3101J000](#) [B82498B3680J000](#) [ELJ-RE27NJF2](#)  
[1812CS-153XJ](#) [1812CS-183XJ](#) [1812CS-223XJ](#) [1812LS-104XJ](#) [1812LS-105XJ](#) [1812LS-124XJ](#) [1812LS-154XJ](#) [1812LS-223XJ](#)