



4.5 x 4.0 x 3.2mm

➤ FEATURES:

- Suitable for RoHS reflow profile
- High current rating and low DCR
- Special lead wire design to prevent open circuit failure
- Excellent terminal strength to mechanical stress

➤ APPLICATIONS:

- OA equipments
- PC and notebook
- LCD TV set
- Power supply

➤ ELECTRICAL SPECIFICATIONS:

Operating Temperature:	-40°C to +125°C
Storage Temperature:	+15°C to +28°C

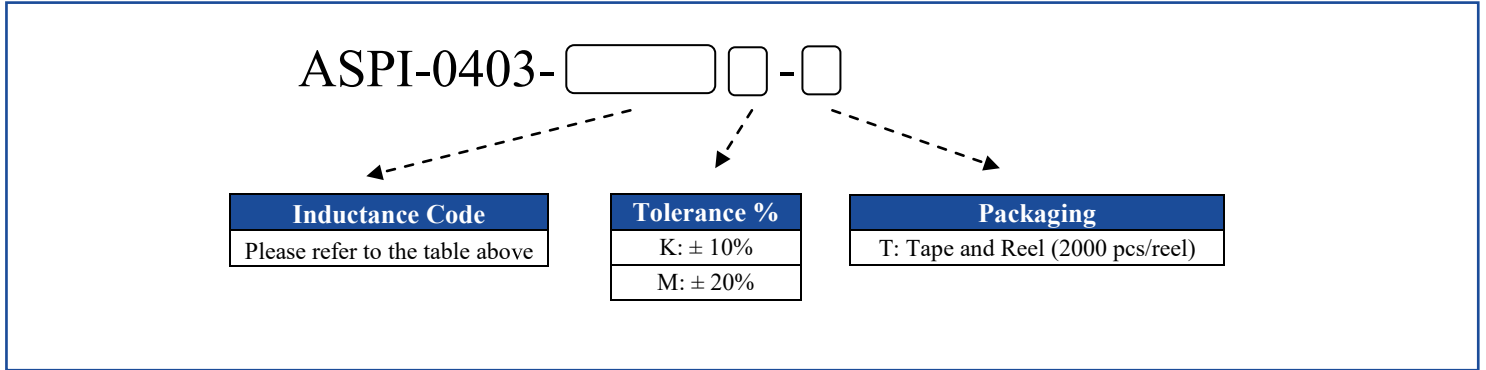
PART NUMBER	INDUCTANCE (uH)	Tolerance K, M, N	DCR (Ω) max	Testing Conditions	IDC (A) max
ASPI-0403-0R5	0.5	M	0.020	100KHz, 0.25V	3.00
ASPI-0403-1R0	1.0	M	0.049	100KHz, 0.25V	2.70
ASPI-0403-1R2	1.2	N	0.049	100KHz, 0.25V	2.54
ASPI-0403-1R4	1.4	M	0.053	100KHz, 0.25V	2.50
ASPI-0403-1R5	1.5	M	0.056	100KHz, 0.25V	2.24
ASPI-0403-1R8	1.8	M	0.064	100KHz, 0.25V	2.33
ASPI-0403-2R2	2.2	M	0.072	100KHz, 0.25V	2.25
ASPI-0403-2R7	2.7	M	0.079	100KHz, 0.25V	2.16
ASPI-0403-3R3	3.3	M	0.086	100KHz, 0.25V	2.00
ASPI-0403-3R9	3.9	M	0.094	100KHz, 0.25V	1.84
ASPI-0403-4R7	4.7	M	0.109	100KHz, 0.25V	1.62
ASPI-0403-5R6	5.6	M	0.126	100KHz, 0.25V	1.48
ASPI-0403-6R8	6.8	M	0.131	100KHz, 0.25V	1.43
ASPI-0403-8R2	8.2	M	0.147	100KHz, 0.25V	1.37
ASPI-0403-100	10	K, M	0.182	1KHz, 0.25V	1.04
ASPI-0403-120	12	K, M	0.210	1KHz, 0.25V	0.97
ASPI-0403-150	15	K, M	0.235	1KHz, 0.25V	0.85
ASPI-0403-180	18	K, M	0.338	1KHz, 0.25V	0.74
ASPI-0403-220	22	K, M	0.378	1KHz, 0.25V	0.68
ASPI-0403-270	27	K, M	0.522	1KHz, 0.25V	0.62
ASPI-0403-330	33	K, M	0.540	1KHz, 0.25V	0.56
ASPI-0403-390	39	K, M	0.587	1KHz, 0.25V	0.52
ASPI-0403-470	47	K, M	0.844	1KHz, 0.25V	0.44
ASPI-0403-560	56	K, M	0.937	1KHz, 0.25V	0.42
ASPI-0403-680	68	K, M	1.117	1KHz, 0.25V	0.37
ASPI-0403-820	82	K, M	1.140	1KHz, 0.25V	0.34
ASPI-0403-101	100	K, M	1.190	1KHz, 0.25V	0.30
ASPI-0403-121	120	K, M	1.400	1KHz, 0.25V	0.256
ASPI-0403-151	150	K, M	1.800	1KHz, 0.25V	0.212
ASPI-0403-181	180	K, M	1.920	1KHz, 0.25V	0.200
ASPI-0403-221	220	K, M	2.030	1KHz, 0.25V	0.180
ASPI-0403-271	270	K, M	2.890	1KHz, 0.25V	0.174
ASPI-0403-331	330	K, M	3.760	1KHz, 0.25V	0.168
ASPI-0403-391	390	K, M	4.260	1KHz, 0.25V	0.160
ASPI-0403-471	470	K, M	5.140	1KHz, 0.25V	0.158
ASPI-0403-561	560	K, M	6.370	1KHz, 0.25V	0.148
ASPI-0403-681	680	K, M	9.240	1KHz, 0.25V	0.128
ASPI-0403-821	820	K, M	13.40	1KHz, 0.25V	0.110
ASPI-0403-102	1000	K, M	15.60	1KHz, 0.25V	0.109

Test Conditions

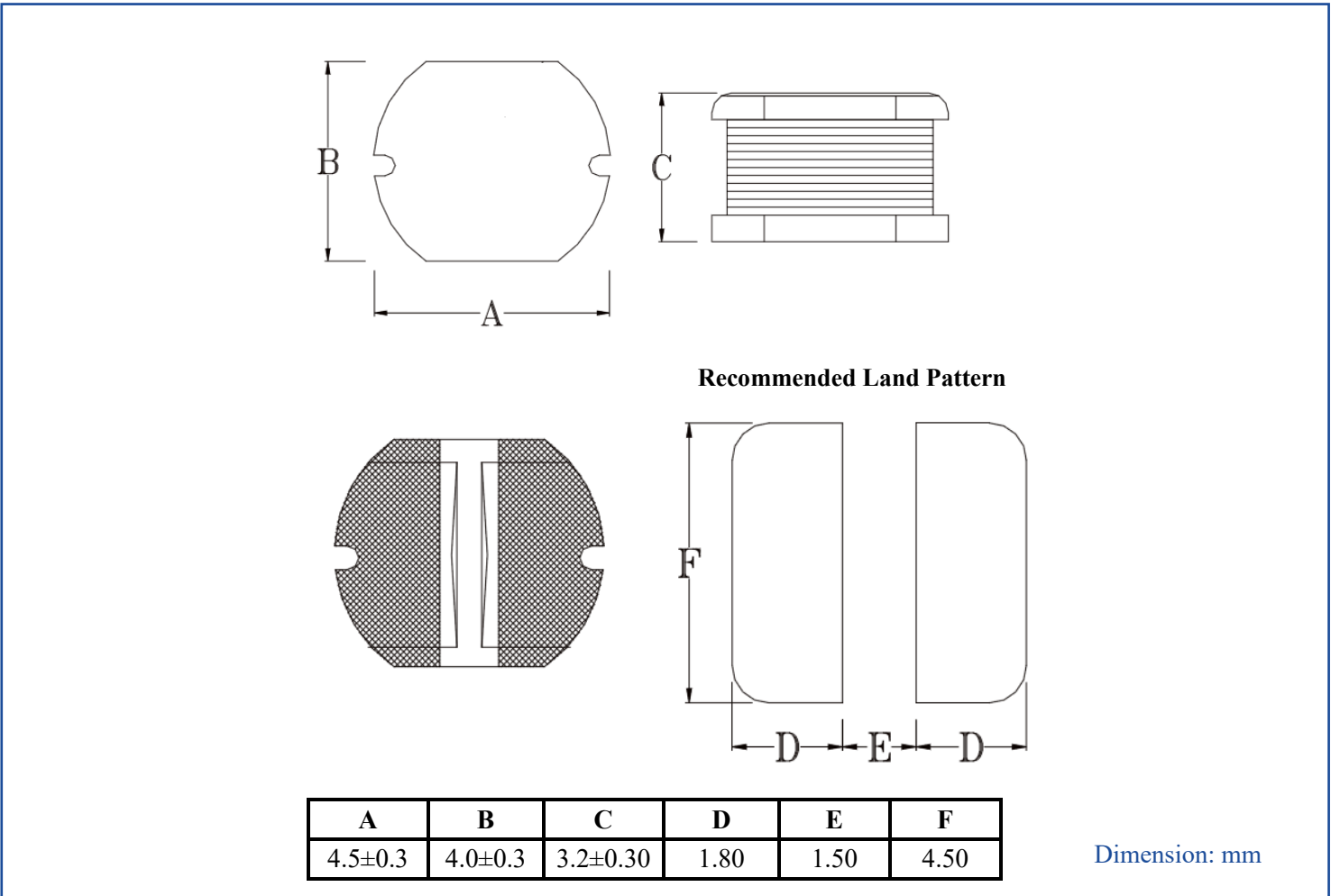
Isat: $\Delta L/L$ (initial) $\geq -10\%$ or $\Delta T=40^\circ C$ ($T_a=20^\circ C$), whichever is lower.



➤ OPTIONS AND PART IDENTIFICATION

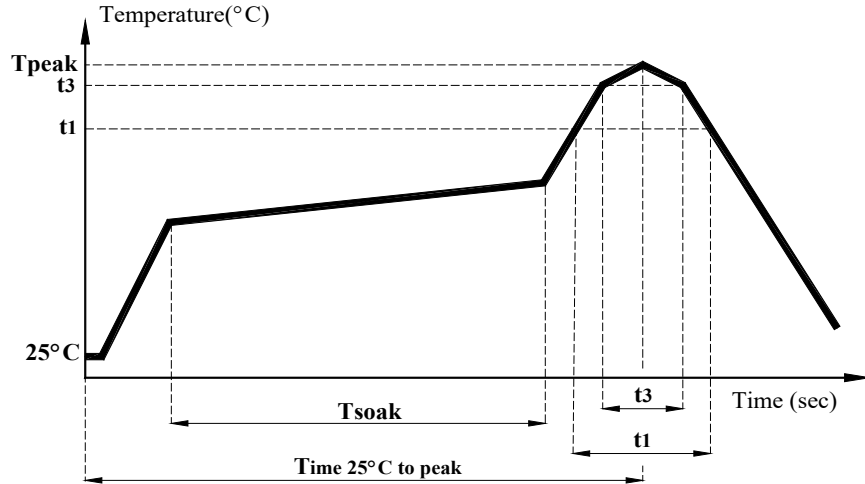


➤ OUTLINE DRAWING





➤ **OUTLINE DRAWING:**

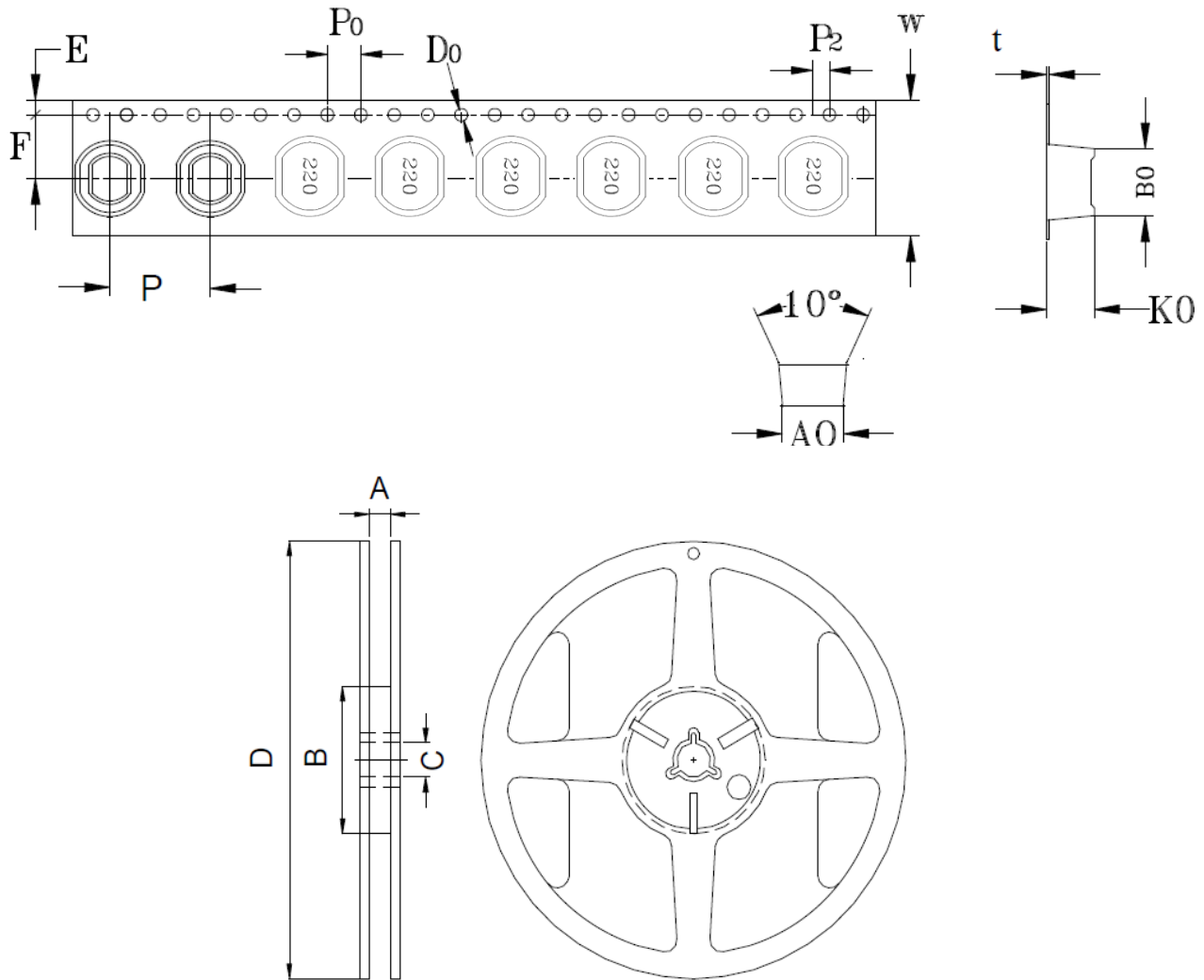


Item	mark	
Temperature rise gradient		3°C/sec (max)
Heating time	Tsoak	50s ~ 150s
Heating temperature		120°C~180°C
Time over 217°C	t1	70 sec
Time within 5°C of actual peak temperature	t3	10~30 sec
Peak temperature	Tpeak	250 (+0 / -5 °C)
Time 25°C to peak Temperature		6 minutes max.



TAPE & REEL:

T: 2,000pcs / reel



CARRIER TAPE / SIZE (mm)										REEL 13"×24mm			
A0	B0	K0	F	E	W	P	P ₀	P ₂	t	A	B	C	D
4.2 ± 0.1	4.8 ± 0.1	3.3 ± 0.1	5.5 ± 0.1	1.75 ± 0.1	12 ± 0.3	8 ± 0.1	4 ± 0.1	2 ± 0.1	0.4 ± 0.05	12.5 ± 0.5	100 ± 0.5	13.2 ± 0.3	330 ± 1.0

Dimension: mm

ATTENTION: Abracon LLC's products are COTS – Commercial-Off-The-Shelf products; suitable for Commercial, Industrial and, where designated, Automotive Applications. Abracon's products are not specifically designed for Military, Aviation, Aerospace, Life-dependent Medical applications or any application requiring high reliability where component failure could result in loss of life and/or property. For applications requiring high reliability and/or presenting an extreme operating environment, written consent and authorization from Abracon LLC is required. Please contact Abracon LLC for more information.

X-ON Electronics

Largest Supplier of Electrical and Electronic Components

Click to view similar products for [Fixed Inductors](#) category:

Click to view products by [ABRACON](#) manufacturer:

Other Similar products are found below :

[CR43NP-680KC](#) [CR54NP-820KC](#) [CR54NP-8R5MC](#) [CTX32CT-100](#) [70F224AI](#) [MGDQ4-00004-P](#) [MHL1ECTTP18NJ](#) [MHL1JCTTD12NJ](#)
[PE-51506NL](#) [PE-53601NL](#) [PE-53602NL](#) [PE-53630NL](#) [PE-53824SNLT](#) [PE-62892NL](#) [PE-92100NL](#) [PG0434.801NLT](#) [PG0936.113NLT](#)
[9310-16](#) [PM06-2N7](#) [PM06-39NJ](#) [A01TK](#) [1206CS-471XJ](#) [HC2-2R2TR](#) [HC2LP-R47-R](#) [HC3-2R2-R](#) [1206CS-151XG](#) [RCH664NP-140L](#)
[RCH664NP-4R7M](#) [RCH8011NP-221L](#) [RCP1317NP-332L](#) [RCP1317NP-391L](#) [RCR1010NP-470M](#) [RCR110DNP-331L](#) [DH2280-4R7M](#)
[DS1608C-106](#) [ASPI-4020HI-R10M-T](#) [B10TJ](#) [B82477P4333M](#) [B82498B3101J000](#) [B82498B3680J000](#) [ELJ-RE27NJF2](#) [1812CS-153XJ](#)
[1812CS-183XJ](#) [1812CS-223XJ](#) [1812LS-104XJ](#) [1812LS-105XJ](#) [1812LS-124XJ](#) [1812LS-154XJ](#) [1812LS-223XJ](#) [1812LS-224XJ](#)