

LOW PROFILE SHIELDED SMD CHIP POWER INDUCTOR

ASPI-0412FS



RoHS/RoHS II Compliant



4.0 x 4.0 x 1.2mm

FEATURES:

- Small size and low profile: 1.2mm max
- Small DCR and high rated current
- High reliability to mechanical strength
- Shielded by magnetic powder molding
- Suitable for RoHS compliant reflow

APPLICATIONS:

- Mobile phones
- MP3, MP4 and other portable / communication products
- Digital cameras

ELECTRICAL SPECIFICATIONS:

Abracon P/N:	ASPI-0412FS Series
Operating Temperature & Humidity	-25°C to +125°C
Storage Temperature & Humidity:	-5°C to +40°C and RH 70% Max. (In tape and reel)

Part Number ASPI-0412FS- Inductance Code	Inductance	L Tolerance	DC Resistance Typ	DC Resistance Max	Saturation Current	Temperature Rise Current	Inductance Code
Units	μH	—	Ω	Ω	A	A	
Symbol	L	N, M	DCR	DCR	Isat	I _{rms}	
ASPI-0412FS-R82	0.82	N	0.050	0.0650	3.02	1.65	R82
ASPI-0412FS-1R0	1.0	N	0.050	0.0650	2.61	1.65	1R0
ASPI-0412FS-1R5	1.5	N	0.065	0.8450	2.10	1.46	1R5
ASPI-0412FS-1R8	1.8	N	0.080	0.1040	2.12	1.32	1R8
ASPI-0412FS-2R2	2.2	M	0.080	0.1040	1.76	1.32	2R2
ASPI-0412FS-2R7	2.7	M	0.090	0.1170	1.90	1.25	2R7
ASPI-0412FS-3R3	3.3	M	0.110	0.1430	1.72	1.12	3R3
ASPI-0412FS-3R6	3.6	M	0.110	0.1430	1.20	1.12	3R6
ASPI-0412FS-4R3	4.3	M	0.140	0.1820	1.58	1.00	4R3
ASPI-0412FS-4R7	4.7	M	0.175	0.2280	1.15	1.05	4R7
ASPI-0412FS-5R1	5.1	M	0.155	0.2015	1.55	0.95	5R1
ASPI-0412FS-5R6	5.6	M	0.140	0.1820	1.00	1.00	5R6
ASPI-0412FS-6R8	6.8	M	0.198	0.2574	0.85	0.84	6R8
ASPI-0412FS-100	10	M	0.353	0.4590	0.80	0.77	100
ASPI-0412FS-120	12	M	0.290	0.3770	0.66	0.70	120
ASPI-0412FS-150	15	M	0.340	0.4420	0.56	0.64	150
ASPI-0412FS-180	18	M	0.470	0.6110	0.55	0.55	180
ASPI-0412FS-220	22	M	0.720	0.9360	0.46	0.49	220
ASPI-0412FS-270	27	M	0.720	0.9360	0.50	0.45	270
ASPI-0412FS-330	33	M	0.810	1.0530	0.42	0.42	330
ASPI-0412FS-360	36	M	0.900	1.1700	0.40	0.40	360
ASPI-0412FS-390	39	M	1.100	1.4300	0.55	0.37	390
ASPI-0412FS-470	47	M	1.100	1.4300	0.35	0.37	470
ASPI-0412FS-560	56	M	1.250	1.6250	0.33	0.33	560
ASPI-0412FS-680	68	M	1.950	2.5350	0.38	0.27	680
ASPI-0412FS-820	82	M	2.140	2.7820	0.28	0.26	820
ASPI-0412FS-101	100	M	2.210	2.8730	0.25	0.25	101

LOW PROFILE SHIELDED SMD CHIP POWER INDUCTOR



4.0 x 4.0 x 1.2mm

ASPI-0412FS

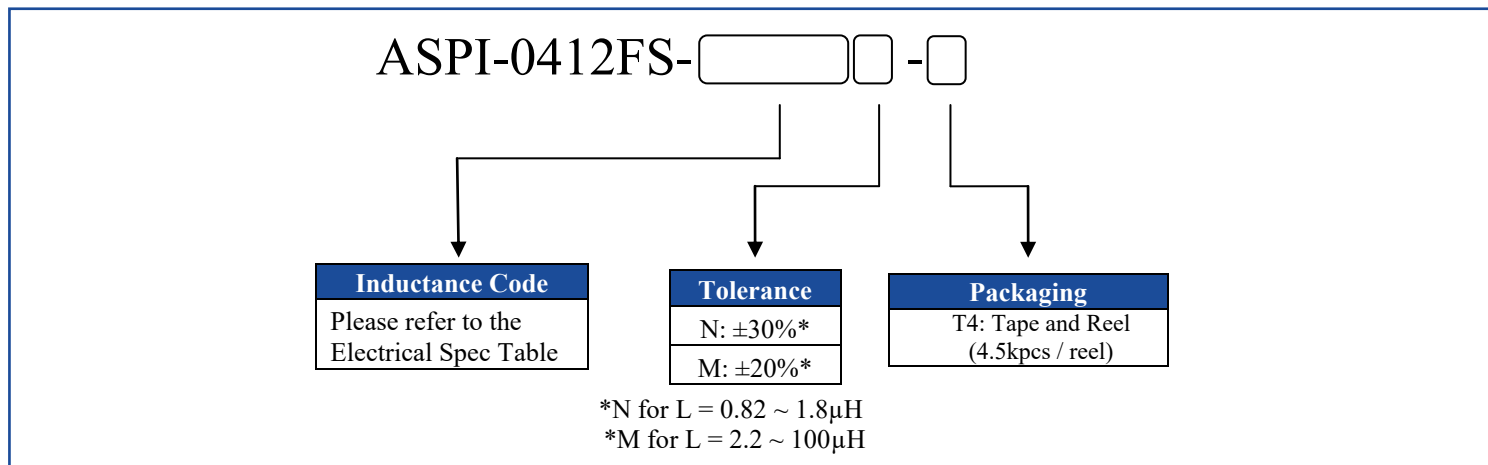


RoHS/RoHS II Compliant

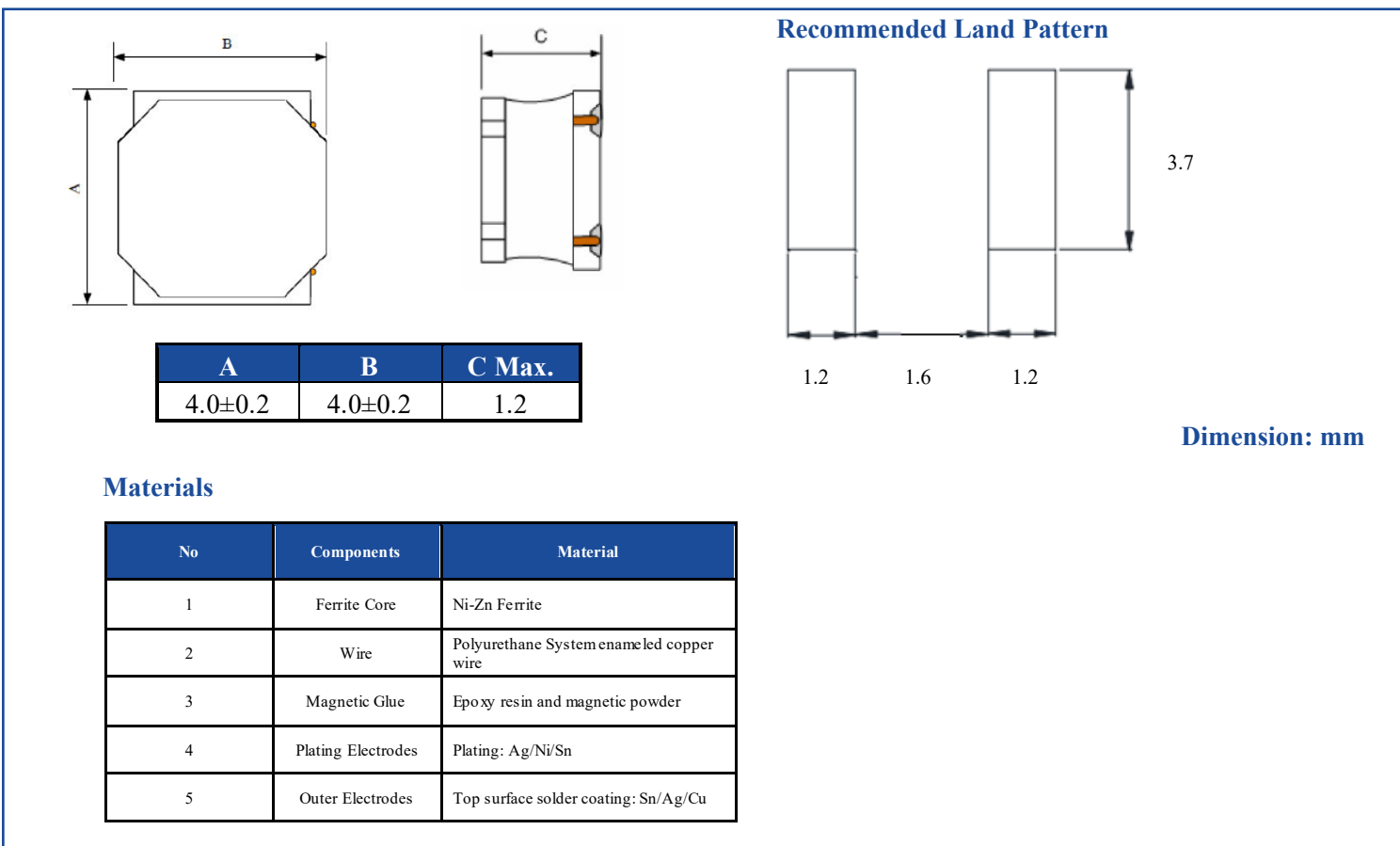
Test Conditions:

1. Inductance: ZM2355 LCR meter or equivalent
2. RDC: HIOKI 3540 or equivalent
3. Isat : Based on inductance change ($\Delta L/L_0 : \leq -30\%$)
4. Irms : Based on temperature rise ($\Delta T : 40^\circ\text{C TYP.}$)
5. Test Freq: 100KHz, 1Vrms

OPTIONS AND PART IDENTIFICATION



OUTLINE DRAWING:



LOW PROFILE SHIELDED SMD CHIP POWER INDUCTOR



4.0 x 4.0 x 1.2mm

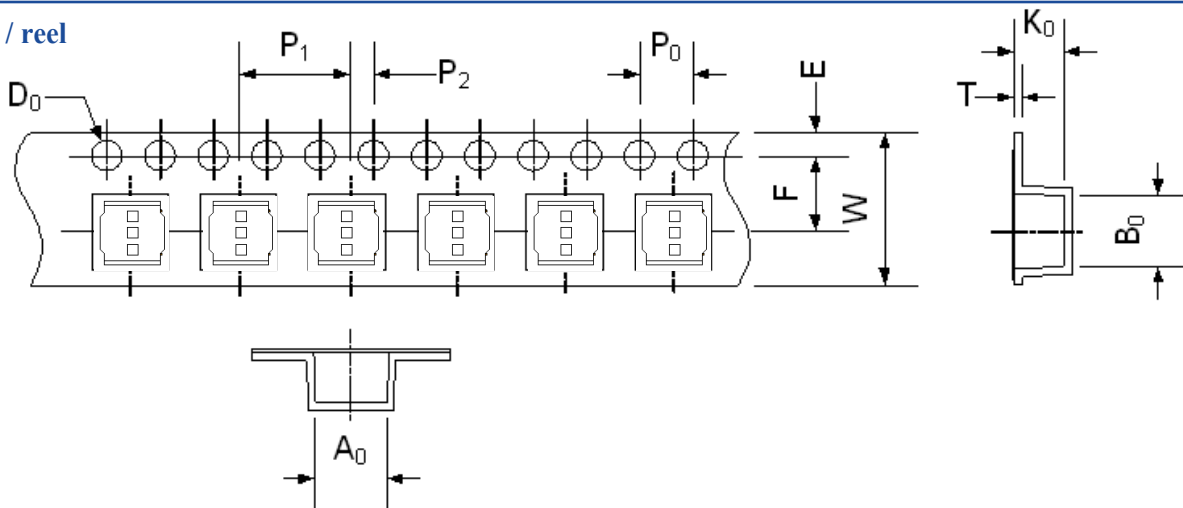
ASPI-0412FS



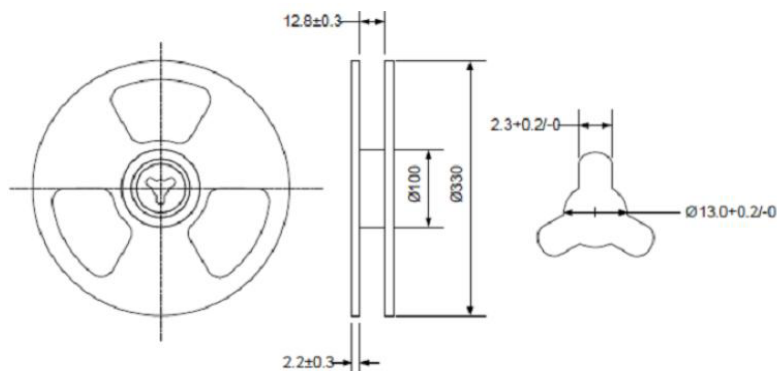
RoHS/RoHS II Compliant

TAPE & REEL:

T4: 4,500pcs / reel

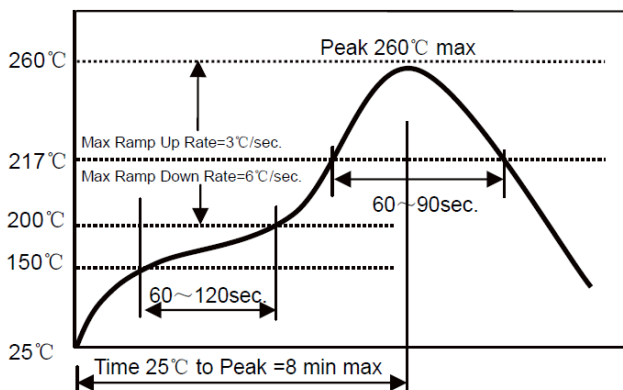


A ₀	B ₀	W	E	F	P ₀	P ₁	P ₂	D ₀	T	K ₀
4.3±0.1	4.3±0.1	12.0±0.3	1.75±0.1	5.5±0.1	4.0±0.1	8.0±0.1	2.0±0.05	1.5+0.1/-0.0	0.35±0.03	1.6±0.1



Dimension: mm

REFLOW PROFILE:



ATTENTION: Abracon LLC's products are COTS – Commercial-Off-The-Shelf products; suitable for Commercial, Industrial and, where designated, Automotive Applications. Abracon's products are not specifically designed for Military, Aviation, Aerospace, Life-dependent Medical applications or any application requiring high reliability where component failure could result in loss of life and/or property. For applications requiring high reliability and/or presenting an extreme operating environment, written consent and authorization from Abracon LLC is required. Please contact Abracon LLC for more information.



5101 Hidden Creek Ln Spicewood TX 78669
 Phone: 512-371-6159 | Fax: 512-351-8858
 For terms and conditions of sales, please visit:
www.abracon.com

REVISED: 10-02-20

ABRACON IS
 ISO9001-2015
 CERTIFIED

X-ON Electronics

Largest Supplier of Electrical and Electronic Components

Click to view similar products for [Inductor Kits & Accessories](#) category:

Click to view products by [ABRACON](#) manufacturer:

Other Similar products are found below :

[CCCM453232-LAB1](#) [3650/0805LABKIT](#) [CM/CMH322522-LAB1](#) [EMINLKIT](#) [CLI-EFD15](#) [B82498X001](#) [EKDMGN08A-KIT](#)
[EKDMGN011-KIT](#) [HCTI-HCTC-KIT](#) [EKDMGN010-KIT](#) [EKDMAT02-KIT](#) [EKDMGN09-KIT](#) [C483](#) [C480](#) [DK0051](#) [EKDMAT04-KIT](#)
[HCTC-KIT](#) [CP-P36/22-2S](#) [CPV-RM12/I-1S-12PD-TZ](#) [TSTH-MM](#) [TSTH-MS](#) [TTH 50-150](#) [31743](#) [WE-1413H](#) [WE-1952V](#) [WE-2750H](#) [WE-](#)
[279](#) [WE-2886H](#) [WE-3017V](#) [WE-3671H](#) [WE-3683H](#) [WE-3686](#) [WE-3693](#) [WE-3698H](#) [WE-3701H](#) [WE-3759](#) [CPHS-EFD20/7-1S-10P](#) [E30-](#)
[K-H-12P-SS-P3002](#) [E-30-K-H-14P-SS-B66232B](#) [E65-54-K-H](#) [EE13-K-H-8P-SW](#) [EE13-K-V-10P-SW](#) [EE25_10_6-K-V-10P-YW-360](#)
[EF12.6-K-H-9P-P1212](#) [EF16-K-H-8P](#) [EF16-K-H-9P-SW](#) [EF20-K-H-8P](#) [EF20-K-H-8P-SW](#) [EFD12_3.5-K-1S-8P-CPHS](#) [EFD15-K-10P-4S](#)