

LOW PROFILE SHIELDED SMD CHIP POWER INDUCTOR

ASPI-0615FS



RoHS/RoHS II Compliant



6.0 x 6.0 x 2.0mm

FEATURES:

- Small size and low profile: 2.0mm
- Small DCR and high rated current
- High reliability to mechanical strength
- Magnetically shielded by magnetic powder molding
- Suitable for RoHS reflow profile

APPLICATIONS:

- DC/DC converter for LCD display of notebook PC
- Portable communication equipment
- Digital cameras

ELECTRICAL SPECIFICATIONS:

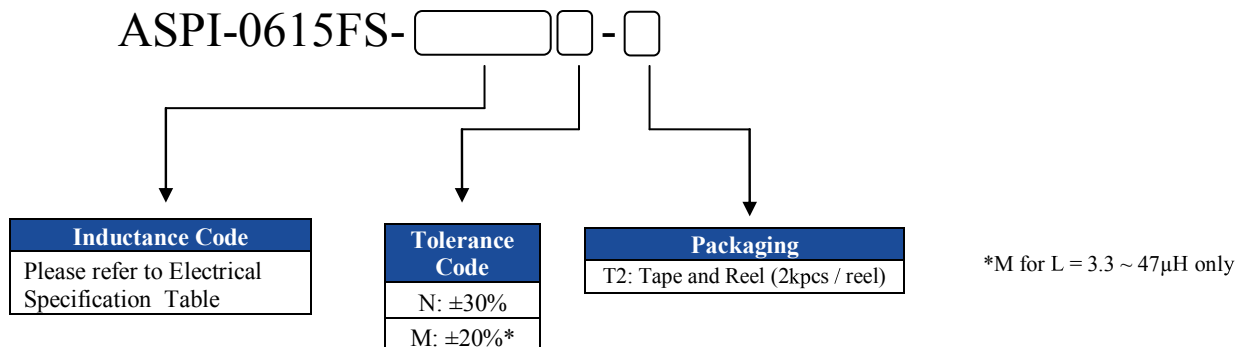
Abracon P/N:	ASPI-0615FS Series
Operating Temperature & Humidity :	-40°C to +125°C (Including self generated heat)
Storage Temperature & Humidity:	-40°C to +125°C

Part Number ASPI-0615FS- Inductance Code	Inductance	Inductance Tolerance	DCR	DCR Tolerance	Saturation Current	Temperature Rise Current
Units	μH	%	mΩ	%	A	A
Symbol	L	M, N	DCR		Isat	Irms
ASPI-0615FS-R50	0.5	N	9	±30%	7.00	5.20
ASPI-0615FS-R80	0.8	N	12		6.00	4.10
ASPI-0615FS-1R5	1.5	N	17		4.00	3.60
ASPI-0615FS-2R2	2.2	N	24		3.50	2.90
ASPI-0615FS-3R3	3.3	M, N	30		2.80	2.80
ASPI-0615FS-4R7	4.7	M, N	43	±20%	2.40	2.20
ASPI-0615FS-5R6	5.6	M, N	55		2.20	2.00
ASPI-0615FS-6R8	6.8	M, N	60		2.00	1.80
ASPI-0615FS-100	10	M, N	90		1.90	1.50
ASPI-0615FS-150	15	M, N	120		1.30	1.20
ASPI-0615FS-220	22	M, N	170		1.10	1.00
ASPI-0615FS-330	33	M, N	310		0.90	0.90
ASPI-0615FS-470	47	M, N	370		0.80	0.80

Test Conditions

1. Inductance is measured in HP-4285A Precision LCR Meter.
2. RDC is measured in DU-5011 milli ohm meter.(or equivalent).
3. Isat : Based on inductance change ($\Delta L/L_o : \leq -30\%$)
4. Irms : Based on temperature rise ($\Delta T : 40^\circ\text{C TYP.}$)
5. Test Freq: 100KHz, 1Vrms

OPTIONS AND PART IDENTIFICATION



LOW PROFILE SHIELDED SMD CHIP POWER INDUCTOR

ASPI-0615FS

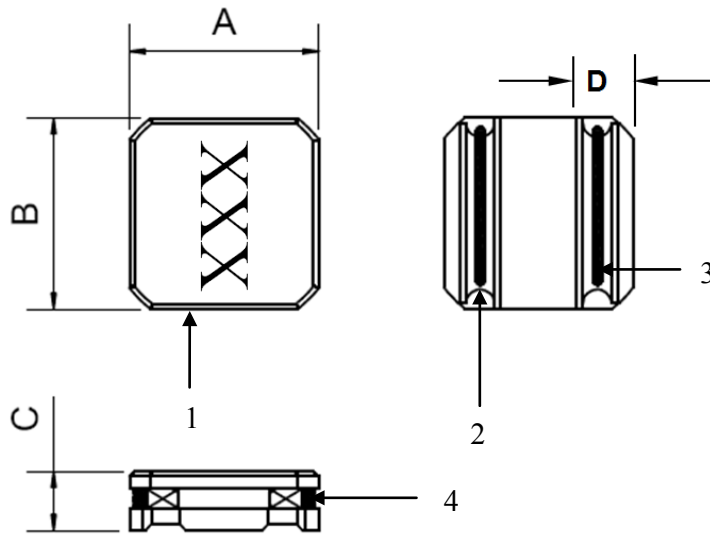


RoHS/RoHS II Compliant



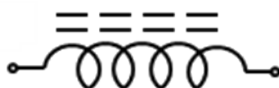
6.0 x 6.0 x 2.0mm

OUTLINE DRAWING:



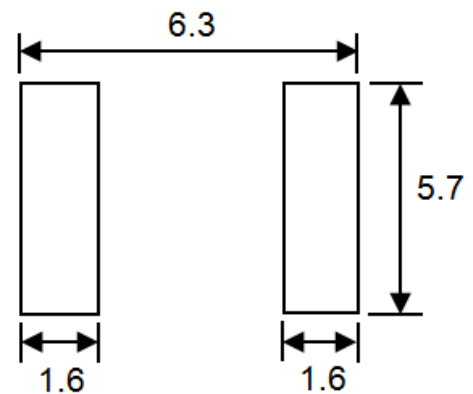
A	B	C	D Typ.
6.0±0.2	6.0±0.2	2.0±0.2	1.50

Circuit Schematic



No Polarity

Recommended Land Pattern



Dimension: mm

Material

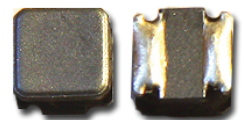
No	Part Name	Material
1	Ferrite core	Ni-Zn Ferrite
2	Terminals	Ag/Ni/Sn
3	Coil	Cu/P180 Grd 1
4	Adhesive	Silicon Base Resin
	Magnetic Powder	Ni-Zn Ferrite

LOW PROFILE SHIELDED SMD CHIP POWER INDUCTOR

ASPI-0615FS



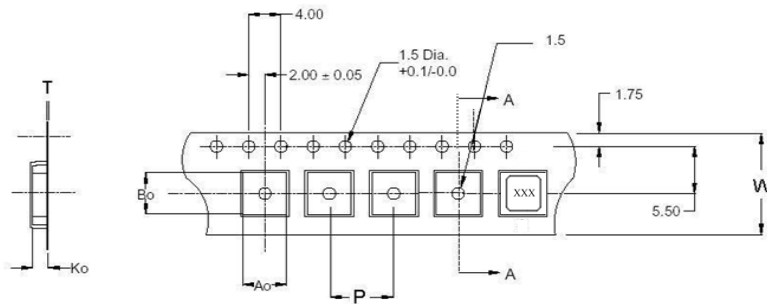
RoHS/RoHS II Compliant



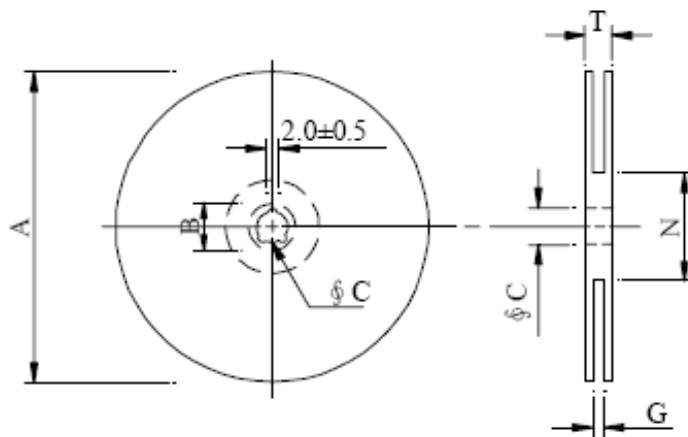
6.0 x 6.0 x 2.0mm

TAPE & REEL:

T2: 2,000pcs / reel



Ao	6.35
Bo	6.20
Ko	2.40
W	16.00
P	12.00
T	0.40



A	330
B	21.0±0.8
C	13.5±0.5
G	16.6
N	99.5
T	21

Dimension: mm

LOW PROFILE SHIELDED SMD CHIP POWER INDUCTOR

ASPI-0615FS

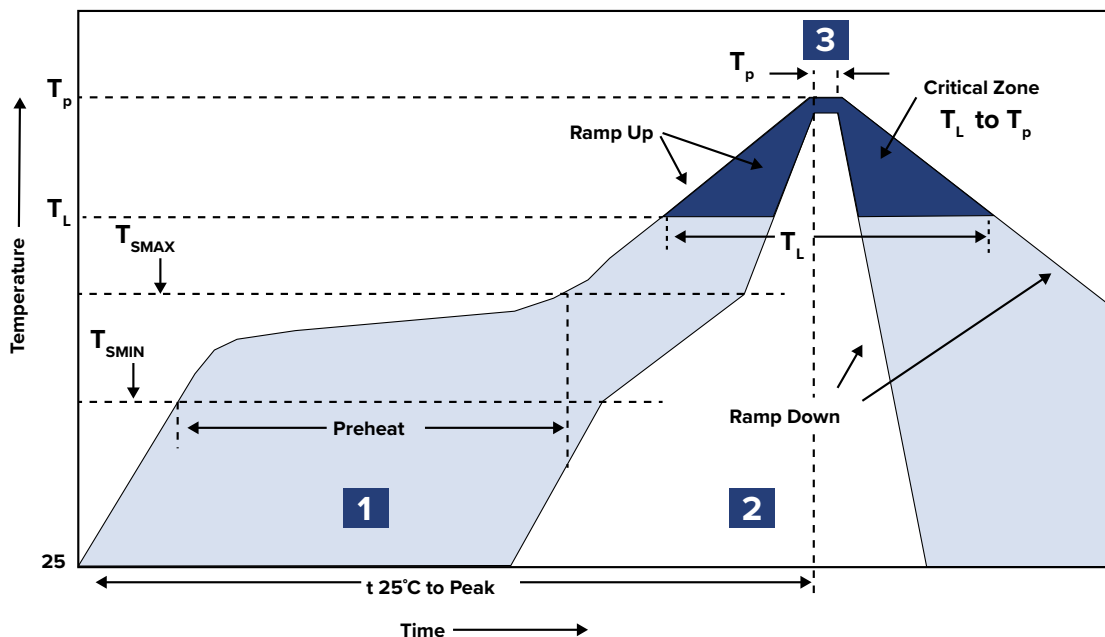


RoHS/RoHS II Compliant



6.0 x 6.0 x 2.0mm

REFLOW PROFILE:



Zone	Description	Temperature	Time
1	Preheat / Soak	T_{SMAX} 150°C	60 ~ 100 sec.
2	Reflow	T_L 200°C	20 sec. MAX
3	Peak heat	T_P 260°C	10 sec. MAX

Dimension: mm

ATTENTION: Abracon Corporation's products are COTS – Commercial-Off-The-Shelf products; suitable for Commercial, Industrial and, where designated, Automotive Applications. Abracon's products are not specifically designed for Military, Aviation, Aerospace, Life-dependant Medical applications or any application requiring high reliability where component failure could result in loss of life and/or property. For applications requiring high reliability and/or presenting an extreme operating environment, written consent and authorization from Abracon Corporation is required. Please contact Abracon Corporation for more information.

X-ON Electronics

Largest Supplier of Electrical and Electronic Components

Click to view similar products for [Inductor Kits & Accessories](#) category:

Click to view products by [ABRACON](#) manufacturer:

Other Similar products are found below :

[CCCM453232-LAB1](#) [3650/0805LABKIT](#) [CM/CMH322522-LAB1](#) [EMINLKIT](#) [CLI-EFD15](#) [B82498X001](#) [EKDMGN08A-KIT](#)
[EKDMGN011-KIT](#) [HCTI-HCTC-KIT](#) [EKDMGN010-KIT](#) [EKDMAT02-KIT](#) [EKDMGN09-KIT](#) [C483](#) [C480](#) [DK0051](#) [EKDMAT04-KIT](#)
[HCTC-KIT](#) [CP-P36/22-2S](#) [CPV-RM12/I-1S-12PD-TZ](#) [TSTH-MM](#) [TSTH-MS](#) [TTH 50-150](#) [31743](#) [WE-1413H](#) [WE-1952V](#) [WE-2750H](#) [WE-](#)
[279](#) [WE-2886H](#) [WE-3017V](#) [WE-3671H](#) [WE-3683H](#) [WE-3686](#) [WE-3693](#) [WE-3698H](#) [WE-3701H](#) [WE-3759](#) [CPHS-EFD20/7-1S-10P](#) [E30-](#)
[K-H-12P-SS-P3002](#) [E-30-K-H-14P-SS-B66232B](#) [E65-54-K-H](#) [EE13-K-H-8P-SW](#) [EE13-K-V-10P-SW](#) [EE25_10_6-K-V-10P-YW-360](#)
[EF12.6-K-H-9P-P1212](#) [EF16-K-H-8P](#) [EF16-K-H-9P-SW](#) [EF20-K-H-8P](#) [EF20-K-H-8P-SW](#) [EFD12_3.5-K-1S-8P-CPHS](#) [EFD15-K-10P-4S](#)