

LOW PROFILE SHIELDED SMD CHIP POWER INDUCTOR



8.0 x 8.0 x 4.0mm

ASPI-0840



RoHS/RoHS II Compliant

FEATURES:

- Small size and low profile: 4.0mm
- Small DCR and high rated current
- High reliability to mechanical stress
- Magnetically shielded by magnetic powder molding
- Suitable for RoHS reflow profile

APPLICATIONS:

- Mobile phones
- MP3 & 4 and other portable communication equipment
- Digital cameras.

ELECTRICAL SPECIFICATIONS:

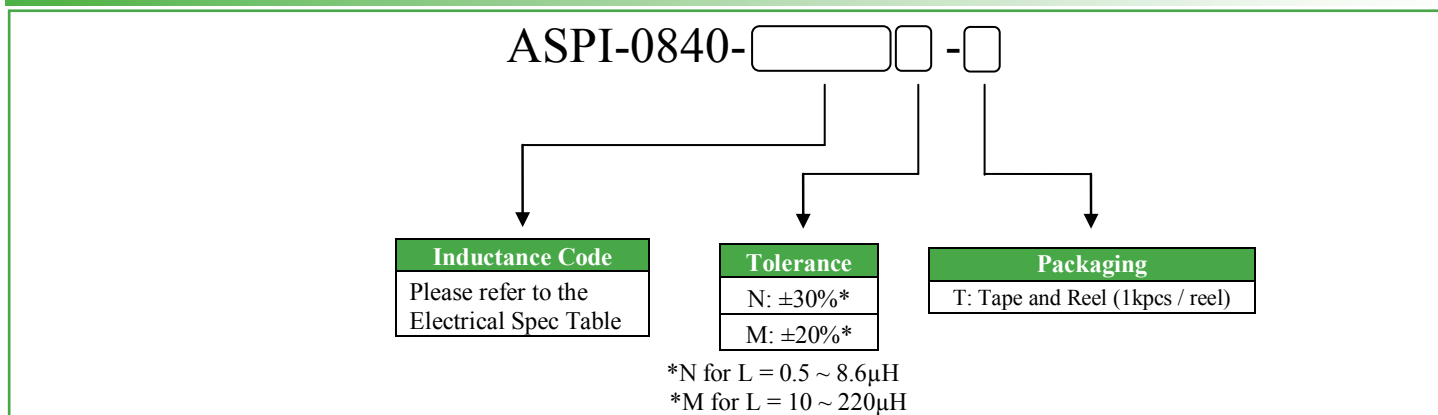
Abracon P/N:	ASPI-0840 Series
Operating Temperature	-40°C to +85°C
Storage Temperature & Humidity:	-10°C to +40°C, 30% to 70% RH

Part Number ASPI-0840- Inductance Code	Inductance	Inductance Tolerance	DCR	DCR Tolerance	Saturation Current	Temperature Rise Current
Units	μH	%	mΩ	%	A	A
Symbol	L	M, N	DCR		Isat	Irms
ASPI-0840-R50	0.5	N	6	±30%	11.00	8.00
ASPI-0840-R90	0.9	N	7		10.00	7.90
ASPI-0840-1R4	1.4	N	9		8.60	7.50
ASPI-0840-2R0	2.0	N	12		7.00	6.80
ASPI-0840-2R2	2.2	N	12		6.80	6.40
ASPI-0840-3R3	3.3	N	15		6.40	5.80
ASPI-0840-3R6	3.6	N	15		6.00	5.40
ASPI-0840-3R9	3.9	N	15		5.60	5.00
ASPI-0840-4R7	4.7	N	20		5.40	4.50
ASPI-0840-6R8	6.8	N	25		4.40	4.00
ASPI-0840-8R6	8.6	N	30		4.20	3.50
ASPI-0840-100	10	M	31		3.80	3.30
ASPI-0840-150	15	M	50		3.00	2.70
ASPI-0840-220	22	M	66		2.40	2.20
ASPI-0840-330	33	M	110		2.00	2.00
ASPI-0840-470	47	M	150		1.60	1.60
ASPI-0840-680	68	M	200		1.30	1.30
ASPI-0840-101	100	M	310		1.00	1.00
ASPI-0840-121	120	M	350		0.95	0.90
ASPI-0840-221	220	M	630		0.75	0.75

Test Conditions

1. Isat : Based on inductance change ($\Delta L/L_o : \leq -30\%$)
2. Irms : Based on temperature rise ($\Delta T : 40^\circ\text{C TYP.}$)
3. Test Freq: 100KHz, 1Vrms

OPTIONS AND PART IDENTIFICATION



LOW PROFILE SHIELDED SMD CHIP POWER INDUCTOR

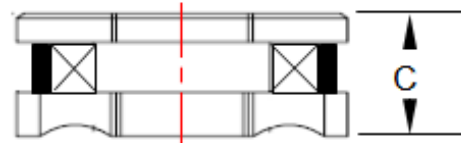
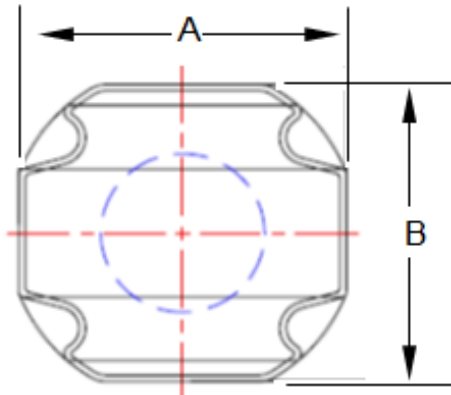


8.0 x 8.0 x 4.0mm

ASPI-0840

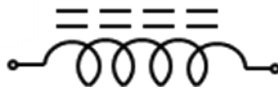
RoHS/RoHS II Compliant

OUTLINE DRAWING:



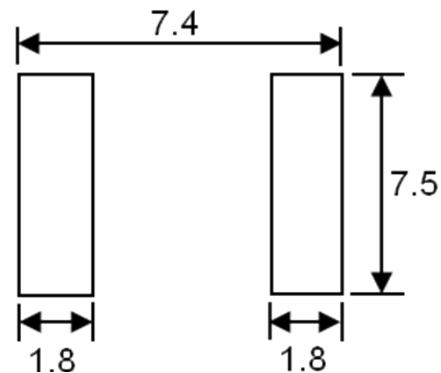
A	B	C
8.0±0.2	8.0±0.2	4.0±0.3

Circuit Schematic



No Polarity

Recommended Land Pattern



Materials

No	Part Name	Material
1	Ferrite core	Ni-Zn Ferrite
2	Terminals	Ag/Ni/Sn
3	Coil	Cu/P180 Grd 1
4	Adhesive	Silicon Base Resin
	Magnetic Powder	Ni-Zn Ferrite

Dimension: mm



LOW PROFILE SHIELDED SMD CHIP POWER INDUCTOR



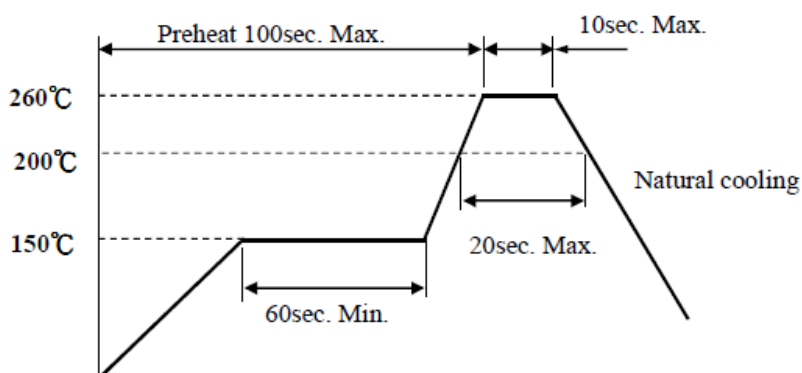
8.0 x 8.0 x 4.0mm

ASPI-0840



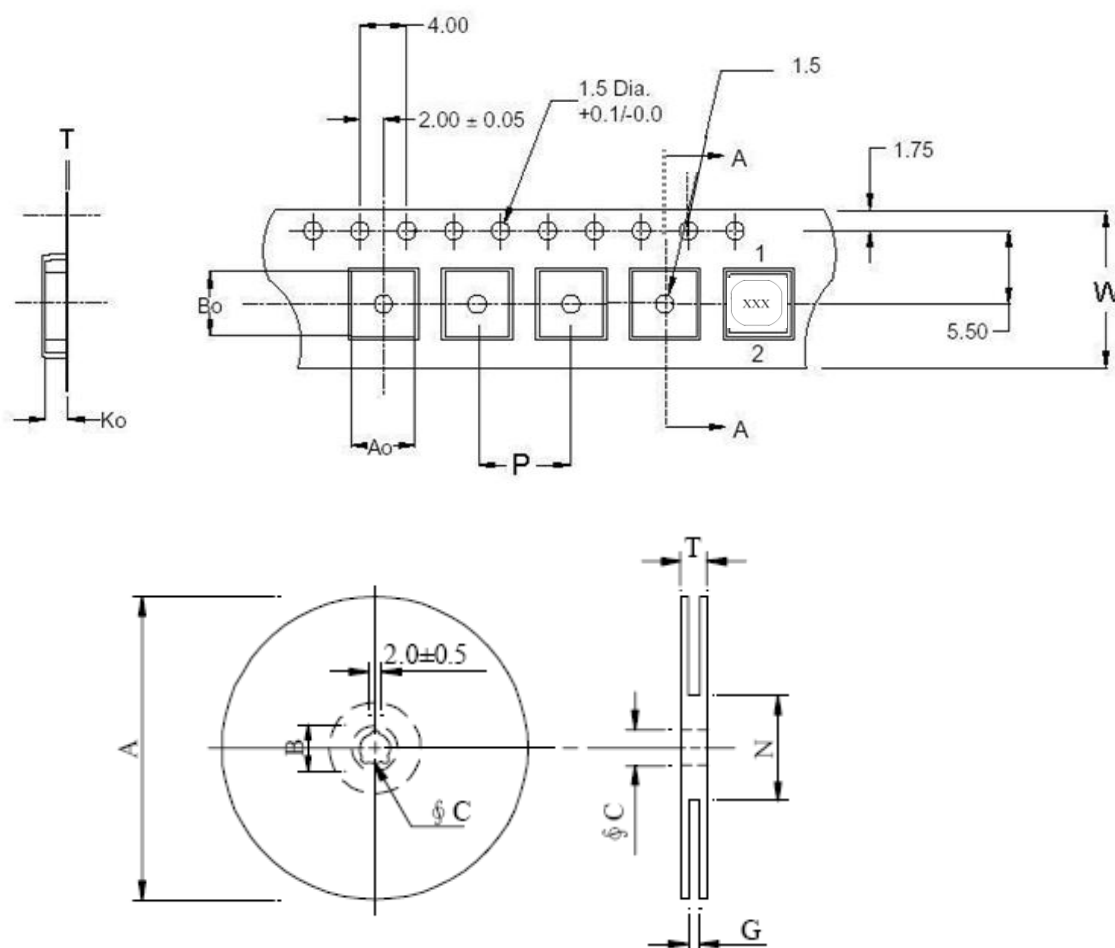
RoHS/RoHS II Compliant

REFLOW PROFILE:



TAPE & REEL:

T: 1,000pcs / reel



Ao	8.50
Bo	8.50
Ko	4.20
W	16.00
P	12.00
T	0.35

A	330
B	21.0±0.8
C	13.5±0.5
G	16.8
N	99.5
T	21

Dimension: mm

ATTENTION: Abracon Corporation's products are COTS – Commercial-Off-The-Shelf products; suitable for Commercial, Industrial and, where designated, Automotive Applications. Abracon's products are not specifically designed for Military, Aviation, Aerospace, Life-dependant Medical applications or any application requiring high reliability where component failure could result in loss of life and/or property. For applications requiring high reliability and/or presenting an extreme operating environment, written consent and authorization from Abracon Corporation is required. Please contact Abracon Corporation for more information.

ABRACON IS
ISO9001:2008
CERTIFIED



ABRACON
CORPORATION

Visit www.abracon.com for Terms & Conditions of Sale **Revised: 10.04.13**
30332 Esperanza, Rancho Santa Margarita, California 92688
tel 949-546-8000 | fax 949-546-8001 | www.abracon.com

X-ON Electronics

Largest Supplier of Electrical and Electronic Components

Click to view similar products for [Fixed Inductors](#) category:

Click to view products by [Abracon](#) manufacturer:

Other Similar products are found below :

[CR32NP-100KC](#) [CR54NP-470LC](#) [70F224AI](#) [MGDQ4-00004-P](#) [MHQ1005P10NJ](#) [MHQ1005P1N0S](#) [MHQ1005P2N4S](#) [MHQ1005P3N6S](#)
[MHQ1005P5N1S](#) [MHQ1005P8N2J](#) [PE-53601NL](#) [PE-53602NL](#) [PG0936.113NLT](#) [9220-20](#) [9310-16](#) [PM06-2N7](#) [PM06-39NJ](#) [A01TK](#)
[1206CS-471XJ](#) [HC8-1R2-R](#) [HCF1305-3R3-R](#) [1206CS-151XG](#) [RCH664NP-140L](#) [RCP1317NP-391L](#) [RCR110DNP-331L](#) [DH2280-4R7M](#)
[DS1608C-106](#) [B10TJ](#) [B82498B3101J000](#) [ELJ-RE27NJF2](#) [1812CS-153XJ](#) [1812CS-183XJ](#) [1812CS-223XJ](#) [1812LS-104XJ](#) [1812LS-105XJ](#)
[1812LS-124XJ](#) [1812LS-154XJ](#) [1812LS-223XJ](#) [1812LS-224XJ](#) [1812LS-563XJ](#) [1812LS-683XJ](#) [1812LS-824XJ](#) [NIN-FA4R7JTR220F](#) [NIN-](#)
[FB101JTR110F](#) [NIN-FB471JTR62F](#) [NIN-FC1R5JTR220F](#) [NIN-HCR15JTRF](#) [NIN-HCR33JTRF](#) [NIN-HDR22JTRF](#) [NIN-HDR82JTRF](#)