

Molding Type Power Inductor

ASPI-1040HI



RoHS
Compliant



11.5 x 10.0 x 4.0 mm

FEATURES:

- High saturation current.
- Low loss due to low DC resistance.
- Frequency application up to 3MHz.
- Low profile with max thickness 4.0mm.
- 100% lead free and metted RoHS standard.
- Suitable for reflow soldering.
- High reliable SMD package

APPLICATIONS:

- DC/DC converters in Notebook, Netbook, desktop and server
- Low profile, high current power supplies.

STANDARD SPECIFICATIONS

Abrakon P/N:	ASPI-1040HI Series
Operating Temperature & Humidity:	-55°C to +125°C (Including self generated heat)
Storage Temperature & Humidity:	<35°C, 35% to 65% RH

Part Number	Inductance	Tolerance	DCR Max	Saturation Current	Temperature Rise Current
Units	μH	%	mΩ	A	A
Symbol	L	M		Isat	Irms
ASPI-1040HI-R22	0.22	M	1.0	60	35
ASPI-1040HI-R30	0.3	M	1.1	45	35
ASPI-1040HI-R36	0.36	M	1.2	45	30
ASPI-1040HI-R47	0.47	M	1.7	40	30
ASPI-1040HI-R56	0.56	M	1.8	33	25
ASPI-1040HI-R68	0.68	M	2.4	30	23
ASPI-1040HI-R80	0.8	M	2.7	29	23
ASPI-1040HI-1R0	1	M	3.3	28	19
ASPI-1040HI-1R5	1.5	M	4.2	24	16
ASPI-1040HI-2R2	2.2	M	7.0	16.5	12
ASPI-1040HI-3R3	3.3	M	11.8	16	11
ASPI-1040HI-4R7	4.7	M	20	13	9
ASPI-1040HI-6R8	6.8	M	25	12	8.5
ASPI-1040HI-8R2	8.2	M	27	9	8
ASPI-1040HI-100	10	M	30	8.5	7.8
ASPI-1040HI-150	15	M	45	7	6.5
ASPI-1040HI-220	22	M	66	5.5	5
ASPI-1040HI-330	33	M	92	5	4.4
ASPI-1040HI-470	47	M	145	3.5	3.3
ASPI-1040HI-680	68	M	195	3	2.5

Test Conditions

100KHz, 1V

Isat: Based on inductance change ($\Delta L/L_o : \leq -30\%$)

Irms: Based on temperature rise ($\Delta T : 40^\circ\text{C TYP.}$)

Max Voltage: 30VDC



5101 Hidden Creek Lane Spicewood TX 78669

Phone: 512-371-6159 | Fax: 512-351-8858

For terms and conditions of sale please visit:

www.abracon.com

REVISED: 11/01/2019

ABRACON IS
ISO9001-2015
CERTIFIED

Molding Type Power Inductor

ASPI-1040HI



RoHS
Compliant



11.5 x 10.0 x 4.0 mm

PART NUMBER IDENTIFICATION

ASPI-1040HI- -

Inductance Code

Please refer to the
Electrical Spec Table

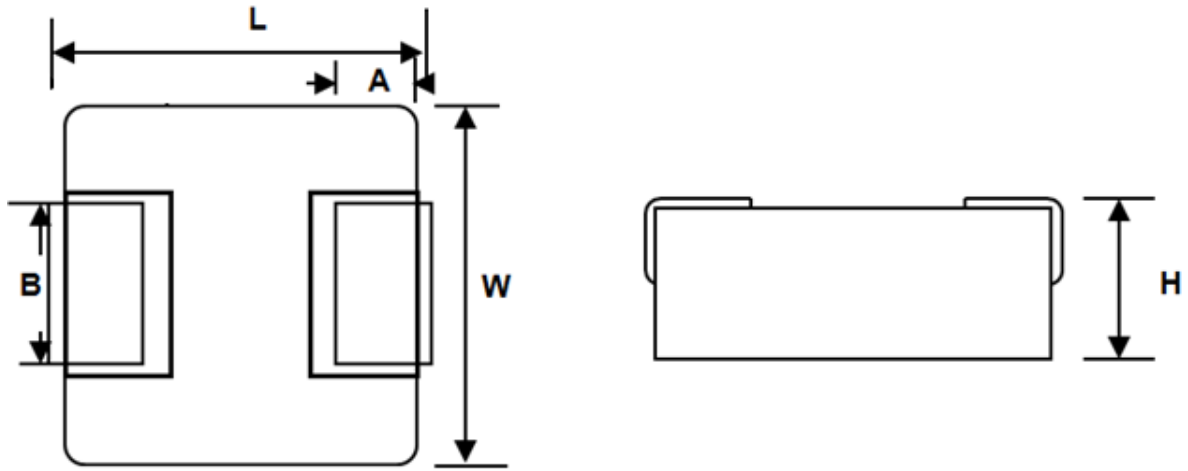
Tolerance

M: $\pm 20\%$

Packaging

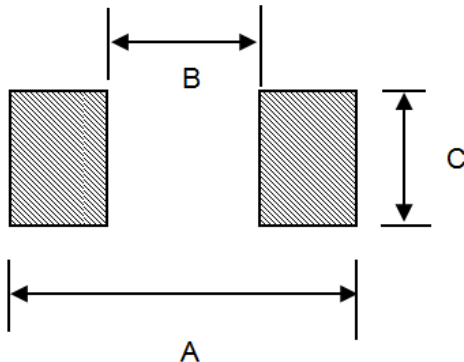
T05: Tape and Reel (500pcs /
reel)

OUTLINE DRAWING:



A	B	L	W	H
2.0 ± 0.5	3.0 ± 0.5	11.5 max	10 ± 0.3	4 max

Recommended Land Pattern



A	B	C
13.6	5.4	4.1

Dimension: mm

Molding Type Power Inductor

ASPI-1040HI

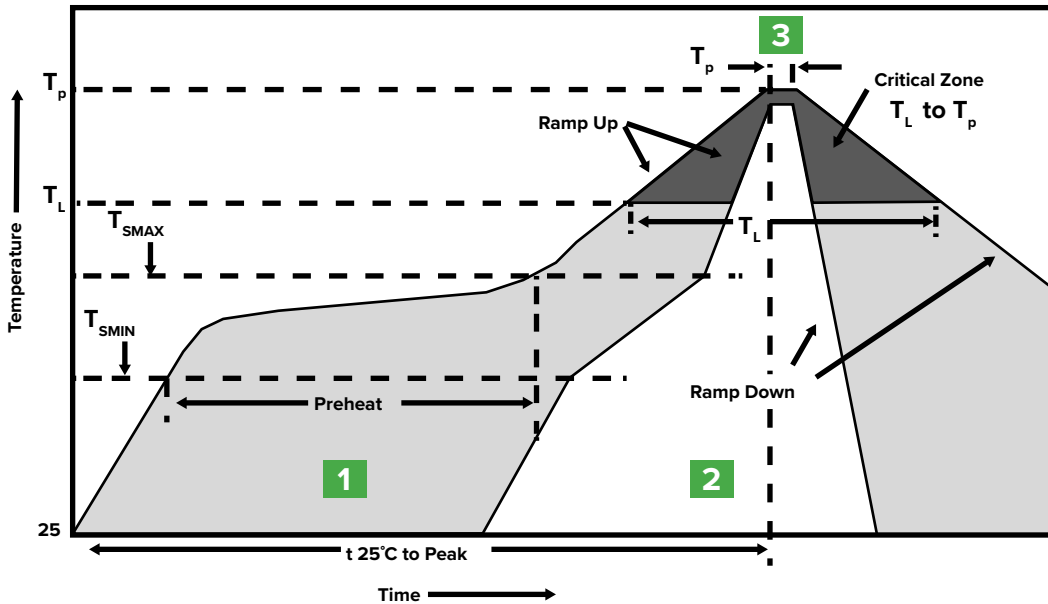


RoHS
Compliant



11.5 x 10.0 x 4.0 mm

REFLOW PROFILE



Zone	Description	Temperature	Time
1	Preheat	$T_{SMIN} \sim T_{SMAX}$ 150°C ~ 180°C	60 ~ 120 sec.
2	Reflow	T_L 230°C	40 sec.
3	Peak heat	T_p 250°C±5°C	10 sec. MAX

Molding Type Power Inductor

ASPI-1040HI



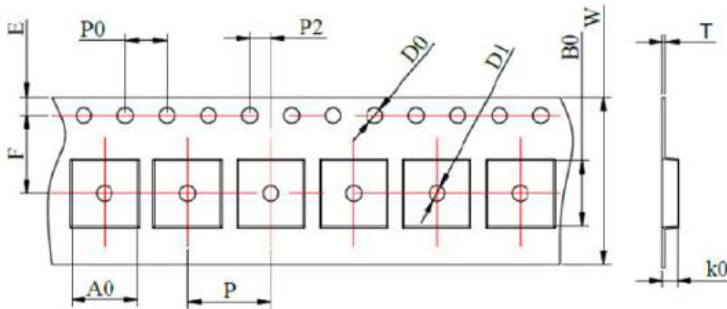
RoHS
Compliant



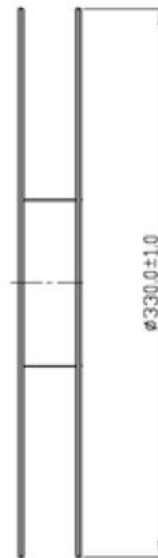
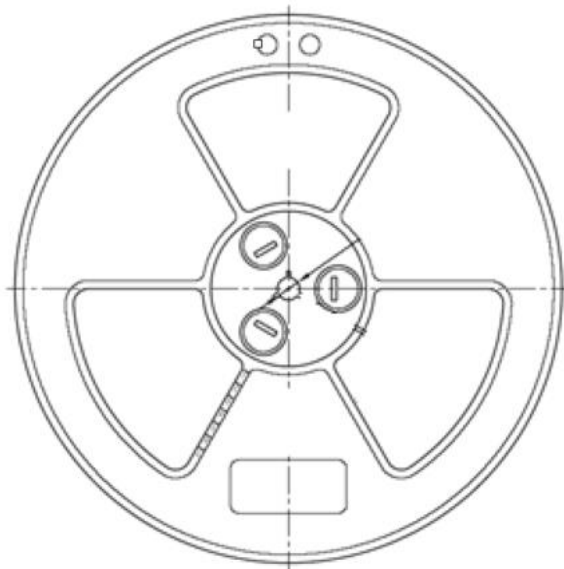
11.5 x 10.0 x 4.0 mm

TAPE & REEL:

T05: 500 pcs/reel
Carton: 4000 pcs/carton



W	24 ± 0.3
P	16 ± 0.1
P0	4 ± 0.1
P2	2 ± 0.05
D0	1.5 ± 0.1
D1	1.5 ± 0.1
T	0.35 ± 0.05
A0	10.4 ± 0.1
B0	11.5 ± 0.1
K0	4.3 ± 0.1
E	1.75 ± 0.1
F	11.5 ± 0.1



Dimension: mm

ATTENTION: Abracon LLC's products are COTS – Commercial-Off-The-Shelf products; suitable for Commercial, Industrial and, where designated, Automotive Applications. Abracon's products are not specifically designed for Military, Aviation, Aerospace, Life-dependant Medical applications or any application requiring high reliability where component failure could result in loss of life and/or property. For applications requiring high reliability and/or presenting an extreme operating environment, written consent and authorization from Abracon LLC is required. Please contact Abracon LLC for more information.



5101 Hidden Creek Lane Spicewood TX 78669
Phone: 512-371-6159 | Fax: 512-351-8858
For terms and conditions of sale please visit:
www.abracon.com

REVISED: 11/01/2019

ABRACON IS
ISO9001-2015
CERTIFIED

X-ON Electronics

Largest Supplier of Electrical and Electronic Components

Click to view similar products for [Fixed Inductors](#) category:

Click to view products by [ABRACON](#) manufacturer:

Other Similar products are found below :

[CR43NP-680KC](#) [CR54NP-820KC](#) [CR54NP-8R5MC](#) [CTX32CT-100](#) [70F224AI](#) [MGDQ4-00004-P](#) [MHL1ECTTP18NJ](#) [MHL1JCTTD12NJ](#)
[PE-51506NL](#) [PE-53601NL](#) [PE-53602NL](#) [PE-53630NL](#) [PE-53824SNLT](#) [PE-62892NL](#) [PE-92100NL](#) [PG0434.801NLT](#) [PG0936.113NLT](#)
[9310-16](#) [PM06-2N7](#) [PM06-39NJ](#) [A01TK](#) [1206CS-471XJ](#) [HC2-2R2TR](#) [HC2LP-R47-R](#) [HC3-2R2-R](#) [HCF1305-3R3-R](#) [1206CS-151XG](#)
[RCH664NP-140L](#) [RCH664NP-4R7M](#) [RCH8011NP-221L](#) [RCP1317NP-332L](#) [RCP1317NP-391L](#) [RCR1010NP-470M](#) [RCR110DNP-331L](#)
[DH2280-4R7M](#) [DS1608C-106](#) [ASPI-4020HI-R10M-T](#) [B10TJ](#) [B82477P4333M](#) [B82498B3101J000](#) [B82498B3680J000](#) [ELJ-RE27NJF2](#)
[1812CS-153XJ](#) [1812CS-183XJ](#) [1812CS-223XJ](#) [1812LS-104XJ](#) [1812LS-105XJ](#) [1812LS-124XJ](#) [1812LS-154XJ](#) [1812LS-223XJ](#)