

# LOW PROFILE SHIELDED SMD POWER INDUCTORS

ASPI-104S



RoHS  
Compliant



10.3 x 10.4 x 4.0 mm

## FEATURES:

- Superior to be high saturation for high density surface mounting
- High energy storage and Low resistance to keep power loss minimum
- Magnetically shielded with ferrite core for low radiation
- Suitable for RoHS compliant reflow

## APPLICATIONS:

- Desktop, notebook, servers
- Network hubs, bridges, routers
- XDSL, PBX base stations
- Power source circuits, DC/DC converters, DC/AC inverters
- Digital TV, DVD, Modem, setup box
- Battery charger

## STANDARD SPECIFICATIONS:

### PARAMETERS

ABRACON P/N:	ASPI-104S xxx Series
Operating temperature:	-40°C to +125°C
Storage temperature:	+15°C to +28°C (while in packaging)
Storage temperature:	-40°C to +125°C (outside of packaging)

PART NUMBER	INDUCTANCE (uH)	Tolerance	R <sub>DC</sub> (mΩ) max	I <sub>DC</sub> (A) max
ASPI-104S-R56	0.56	N	8	10.00
ASPI-104S-1R0	1.0	N	8	10.00
ASPI-104S-1R2	1.2	N	8	10.00
ASPI-104S-1R3	1.3	N	8	10.00
ASPI-104S-1R5	1.5	N	8	10.00
ASPI-104S-1R8	1.8	N	10	9.50
ASPI-104S-2R2	2.2	N	11	8.00
ASPI-104S-2R5	2.5	N	12	7.50
ASPI-104S-2R7	2.7	N	12	7.50
ASPI-104S-3R3	3.3	N	13	6.50
ASPI-104S-3R8	3.8	N	17	6.00
ASPI-104S-4R7	4.7	N	21	5.70
ASPI-104S-5R0	5.0	N	22	5.60
ASPI-104S-5R2	5.2	N	22	5.50
ASPI-104S-5R6	5.6	M, N	25	5.20
ASPI-104S-6R8	6.8	M, N	26	4.90
ASPI-104S-7R0	7.0	M, N	27	4.80
ASPI-104S-8R2	8.2	M, N	33	4.60
ASPI-104S-100	10	M, N	35	4.40
ASPI-104S-120	12	M, N	46	3.92
ASPI-104S-150	15	M, N	50	3.60
ASPI-104S-180	18	M, N	70	3.00
ASPI-104S-220	22	M, N	73	2.90
ASPI-104S-270	27	M, N	83	2.80
ASPI-104S-330	33	M, N	93	2.30
ASPI-104S-390	39	M, N	120	2.20
ASPI-104S-470	47	M, N	128	2.10
ASPI-104S-560	56	M, N	171	1.80

# LOW PROFILE SHIELDED SMD POWER INDUCTORS

ASPI-104S



RoHS  
Compliant



10.3 x 10.4 x 4.0 mm

## STANDARD SPECIFICATIONS CONT:

PART NUMBER	INDUCTANCE (uH)	Tolerance	R <sub>DC</sub> (mΩ) max	I <sub>DC</sub> (A) max
ASPI-104S-680	68	M, N	213	1.50
ASPI-104S-820	82	M, N	250	1.40
ASPI-104S-101	100	M, N	304	1.35
ASPI-104S-121	120	M, N	400	1.20
ASPI-104S-151	150	M, N	506	1.15
ASPI-104S-181	180	M, N	631	1.03
ASPI-104S-221	220	M, N	756	0.92
ASPI-104S-271	270	M, N	853	0.84
ASPI-104S-331	330	M, N	1090	0.70
ASPI-104S-391	390	M, N	1450	0.62
ASPI-104S-471	470	M, N	1520	0.54
ASPI-104S-561	560	M, N	2500	0.50
ASPI-104S-681	680	M, N	2800	0.45
ASPI-104S-821	820	M, N	3000	0.40
ASPI-104S-102	1000	M, N	3250	0.32

### Test Conditions

**Inductance:** 100kHz

**I<sub>DC</sub>:** The current when the inductance becomes 35% lower than its initial value or the actual current when the temperature of coil increases to ΔT=40°C. The smaller one is defined as Rated DC Current. (Ta=25°C)

## OPTIONS AND PART IDENTIFICATION:

(Left blank if standard)

ASPI-104S -   -

**Inductance Code**  
Please refer to the table above

**Tolerance %**  
M: ± 20%  
N: ± 30%

**Packaging**  
T: Tape and Reel (750pcs / reel)

# LOW PROFILE SHIELDED SMD POWER INDUCTORS

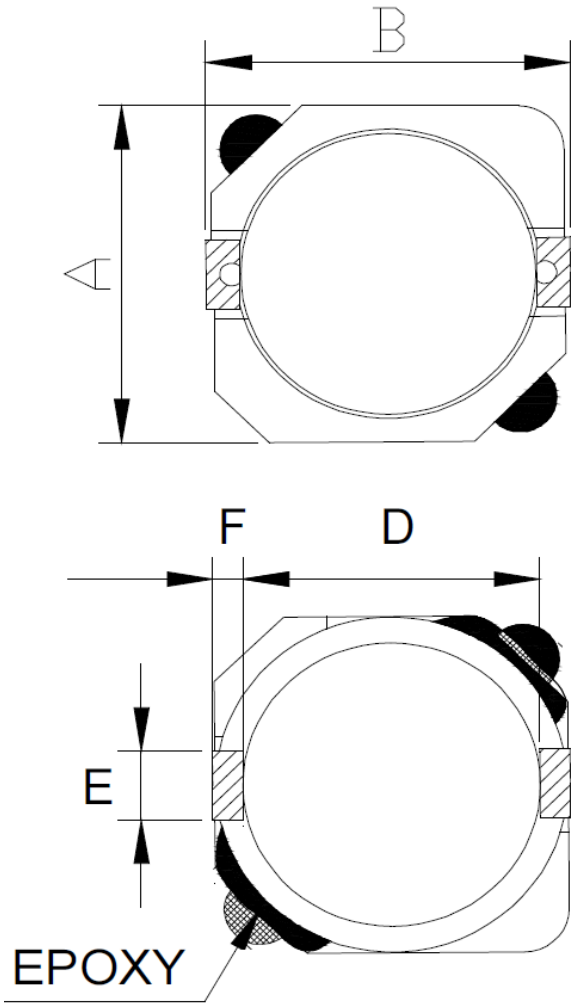
ASPI-104S

**Pb** | **RoHS**  
Compliant

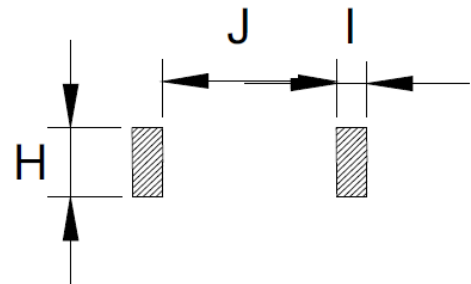


10.3 x 10.4 x 4.0 mm

## OUTLINE DIMENSIONS:



### Recommended Land Pattern



A Max.	B Max.	C Max.	D	E	F	H	I	J
10.3	10.4	4.0	7.7	3.0	1.2	3.2	1.6	7.3

Dimension: mm

# LOW PROFILE SHIELDED SMD POWER INDUCTORS

ASPI-104S

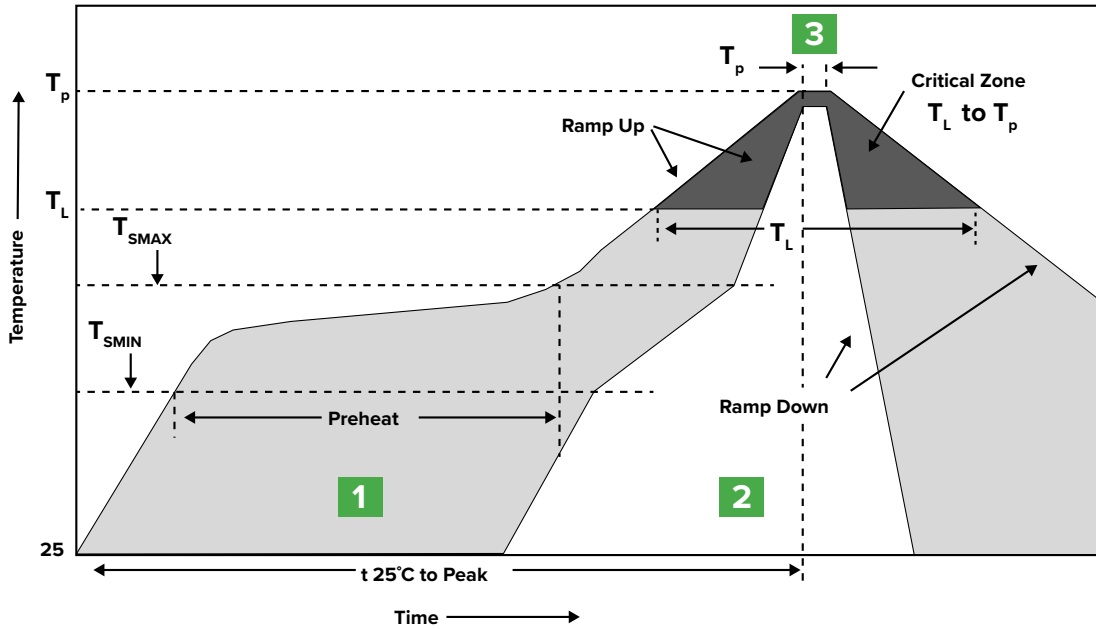


RoHS  
Compliant



10.3 x 10.4 x 4.0 mm

## REFLOW PROFILE:



Zone	Description	Temperature	Time
1	Preheat / Soak	$T_{SMIN} \sim T_{SMAX}$ 150°C ~ 180°C	90 ~ 120 sec.
2	Reflow	$T_L$ 200°C	60 sec. MAX
3	Peak heat	$T_P$ 260°C±5°C	10 sec. MAX

# LOW PROFILE SHIELDED SMD POWER INDUCTORS

ASPI-104S



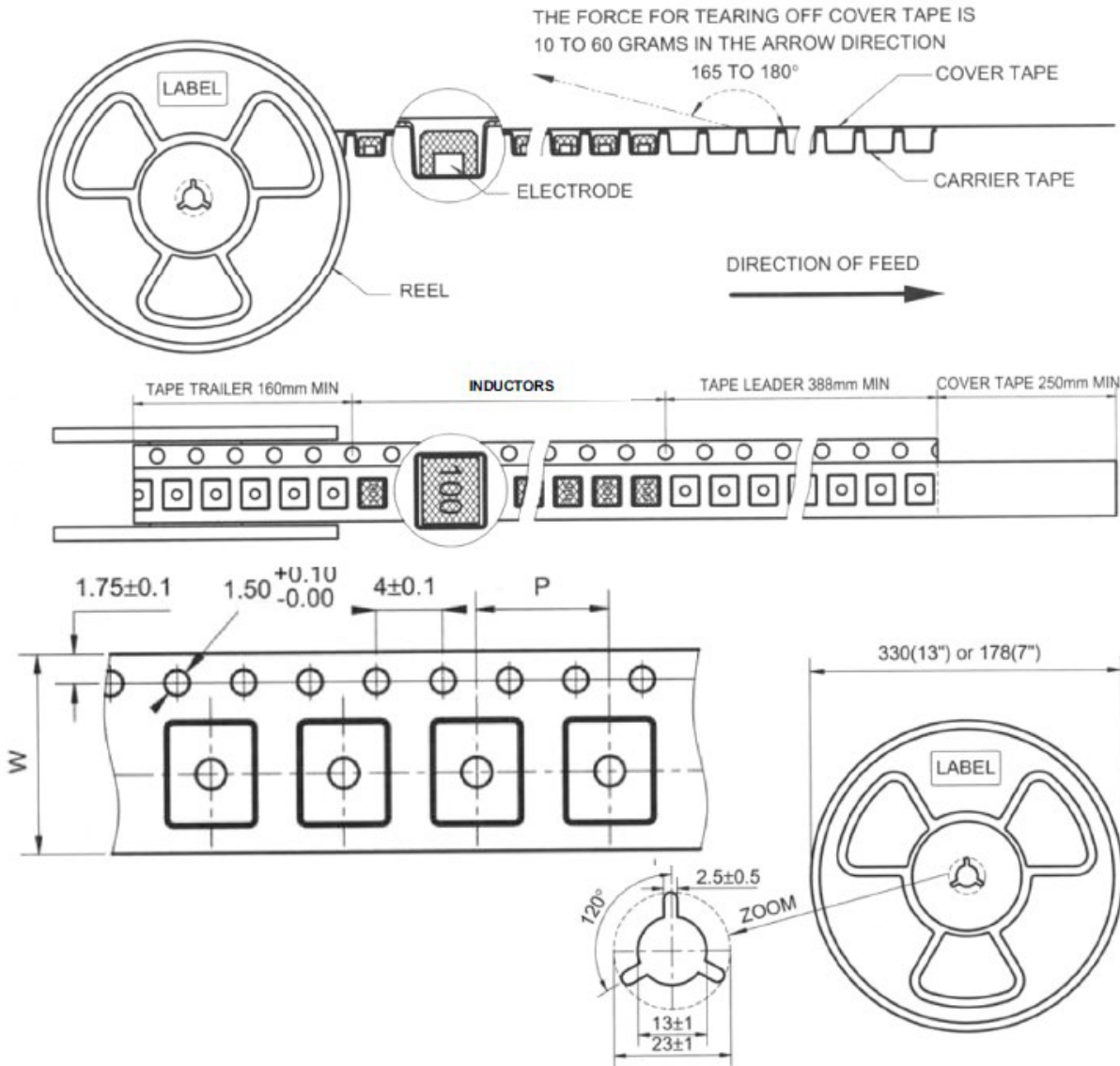
RoHS  
Compliant



10.3 x 10.4 x 4.0 mm

## PACKAGING:

T: 750 pcs / reel



Tape Size		Parts Per Reel
W	P	13"
24	16	750 pcs

Dimension: mm

**ATTENTION:** Abracon LLC's products are COTS – Commercial-Off-The-Shelf products; suitable for Commercial, Industrial and, where designated, Automotive Applications. Abracon's products are not specifically designed for Military, Aviation, Aerospace, Life-dependent Medical applications or any application requiring high reliability where component failure could result in loss of life and/or property. For applications requiring high reliability and/or presenting an extreme operating environment, written consent and authorization from Abracon LLC is required. Please contact Abracon LLC for more information.

## X-ON Electronics

Largest Supplier of Electrical and Electronic Components

*Click to view similar products for [Fixed Inductors](#) category:*

*Click to view products by [ABRACON](#) manufacturer:*

Other Similar products are found below :

[CR43NP-680KC](#) [CR54NP-820KC](#) [CR54NP-8R5MC](#) [CTX32CT-100](#) [70F224AI](#) [MGDQ4-00004-P](#) [MHL1ECTTP18NJ](#) [MHL1JCTTD12NJ](#)  
[PE-51506NL](#) [PE-53601NL](#) [PE-53602NL](#) [PE-53630NL](#) [PE-53824SNLT](#) [PE-62892NL](#) [PE-92100NL](#) [PG0434.801NLT](#) [PG0936.113NLT](#)  
[9310-16](#) [PM06-2N7](#) [PM06-39NJ](#) [A01TK](#) [1206CS-471XJ](#) [HC2-2R2TR](#) [HC2LP-R47-R](#) [HC3-2R2-R](#) [HCF1305-3R3-R](#) [1206CS-151XG](#)  
[RCH664NP-140L](#) [RCH664NP-4R7M](#) [RCH8011NP-221L](#) [RCP1317NP-332L](#) [RCP1317NP-391L](#) [RCR1010NP-470M](#) [RCR110DNP-331L](#)  
[DH2280-4R7M](#) [DS1608C-106](#) [ASPI-4020HI-R10M-T](#) [B10TJ](#) [B82477P4333M](#) [B82498B3101J000](#) [B82498B3680J000](#) [ELJ-RE27NJF2](#)  
[1812CS-153XJ](#) [1812CS-183XJ](#) [1812CS-223XJ](#) [1812LS-104XJ](#) [1812LS-105XJ](#) [1812LS-124XJ](#) [1812LS-154XJ](#) [1812LS-223XJ](#)