

# Low Profile Shielded SMD Chip Power Inductor



ASPI-2410



2.4 x 2.4 x 1.0mm  
RoHS/RoHS Compliant

## Features

- Small size and low profile: 1.0mm
- Small DCR and high rated current
- High reliability to mechanical stress
- Magnetically shielded by magnetic powder molding
- Suitable for RoHS reflow profile

## Applications

- Mobile phones
- MP3 & 4 and other portable communication equipment
- Digital cameras

## Electrical Specifications

<b>Operating Temperature &amp; Humidity:</b>	-25°C to +120°C (Including self generated heat)
<b>Storage Temperature &amp; Humidity:</b>	-10°C to +40°C, 30% to 70% RH

Part Number ASPI-2410- Inductance Code	Inductance	Inductance Tolerance	DCR		Self-Resonant Frequency	Saturation Current	Temperature Rise Current
			Max	Typ			
Units	μH	%	mΩ	mΩ	MHz	A	A
Symbol	L	M, N	DCR		SRF	Isat*	Irms*
ASPI-2410-R24	0.24	M	34	28	360	3.60	2.75
ASPI-2410-R33	0.33	M	43	36	270	3.80	2.40
ASPI-2410-R47	0.47	M	44	37	170	2.40	2.40
ASPI-2410-R68	0.68	M	61	51	110	2.75	2.10
ASPI-2410-1R0	1.0	M	80	67	84	2.05	1.80
ASPI-2410-1R5	1.5	M	108	90	60	1.70	1.55
ASPI-2410-2R2	2.2	M	137	114	56	1.55	1.40
ASPI-2410-3R3	3.3	M	228	170	39	1.10	1.10
ASPI-2410-4R7	4.7	M	323	269	28	1.00	0.91
ASPI-2410-6R8	6.8	M	451	376	25	0.82	0.76
ASPI-2410-100	10.0	M	584	487	20	0.65	0.67
ASPI-2410-150	15.0	M	954	795	19	0.55	0.50
ASPI-2410-220	22.0	M	1548	1290	15	0.45	0.40
ASPI-2410-330	33.0	M	1548	1290	10	0.25	0.40

# Low Profile Shielded SMD Chip Power Inductor



ASPI-2410



2.4 x 2.4 x 1.0mm  
RoHS/RoHS Compliant

## Part Number Identification

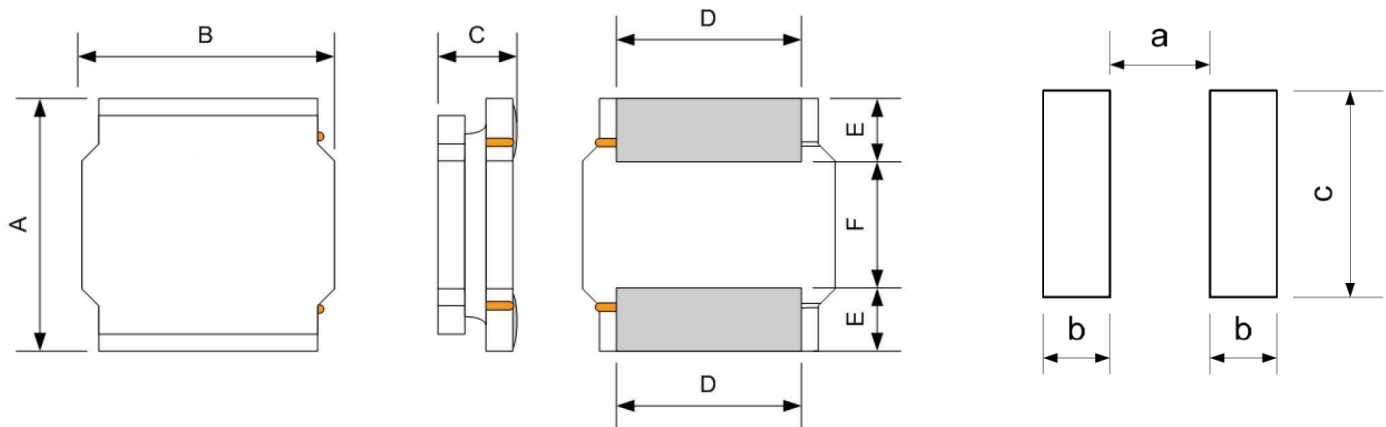
ASPI-2410-   -

**Inductance Code**  
Please refer to the  
Electrical Spec Table

**Tolerance**  
M:  $\pm 20\%^*$

**Packaging**  
T2: Tape and Reel (2kpcs / reel)

## Mechanical Information



A	B	C	D	E	F	a Typ.	b Typ.	C Typ.
2.5 ± 0.2	2.0 ± 0.2	1.0 Max	2.0 ± 0.2	0.8 ± 0.2	0.8 ± 0.2	0.80	0.85	2.0

Dimensions: mm



5101 Hidden Creek Ln Spicewood TX 78669  
Phone: 512-371-6159 | Fax: 512-351-8858  
For terms and conditions of sales, please visit:  
[www.abracon.com](http://www.abracon.com)

REVISED: 04-15-20

ABRACON IS  
ISO9001-2015  
CERTIFIED

# Low Profile Shielded SMD Chip Power Inductor

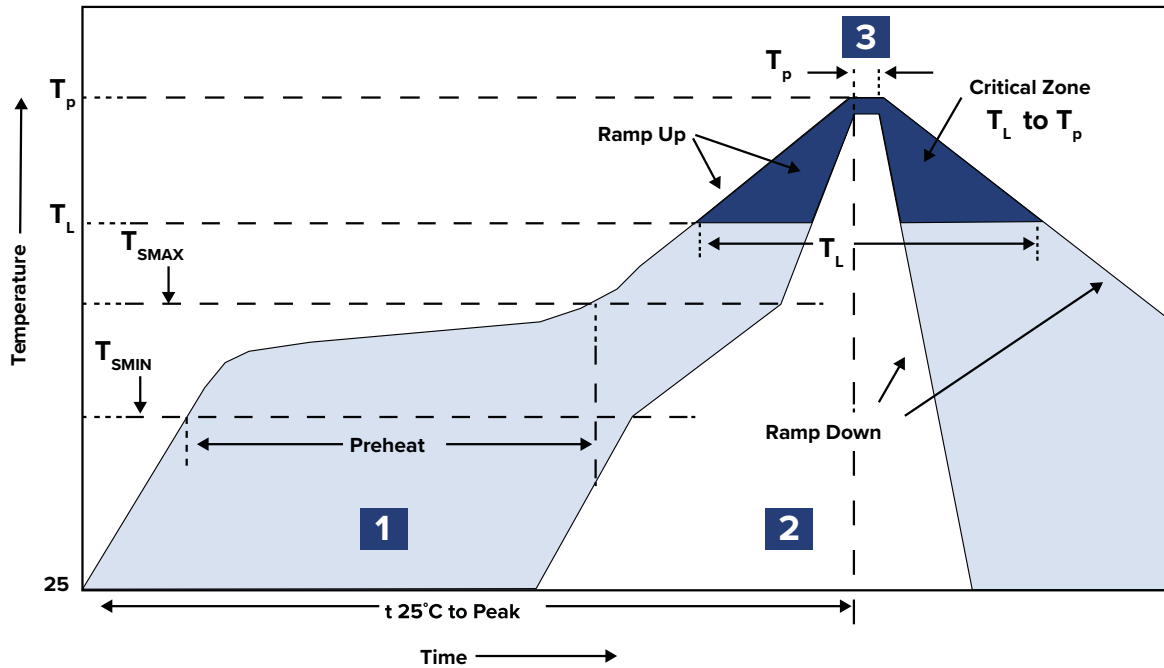


ASPI-2410



2.4 x 2.4 x 1.0mm  
RoHS/RoHS Compliant

## Reflow Profile



Zone	Description	Temperature	Time
1	Preheat / Soak	$T_{SMIN} \sim T_{SMAX}$ 150°C ~ 200°C	60 ~ 120 sec.
2	Reflow	$T_L$ 217°C	60 ~ 90 sec.
3	Peak heat	$T_P$ 260°C ± 5°C	5 sec. MAX

# Low Profile Shielded SMD Chip Power Inductor

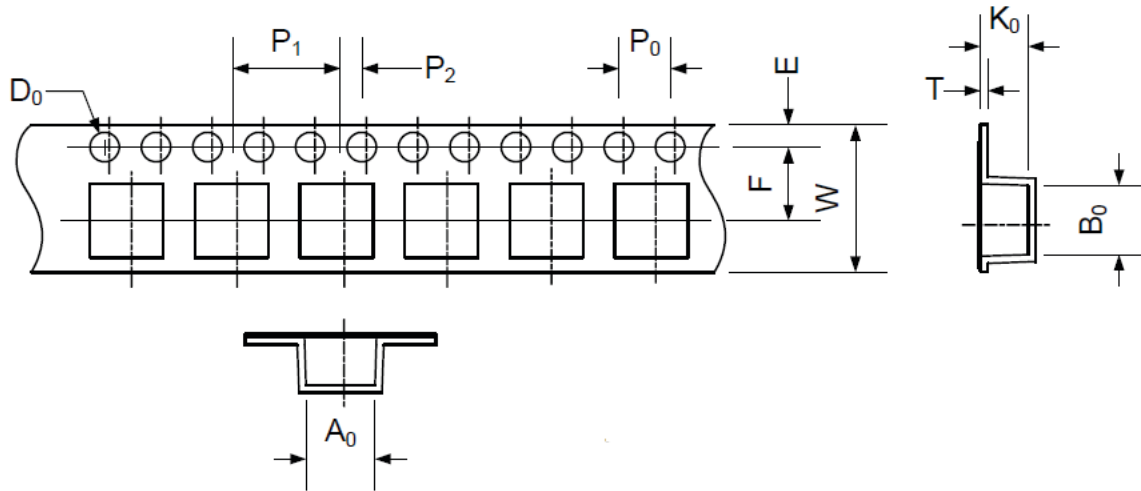


ASPI-2410



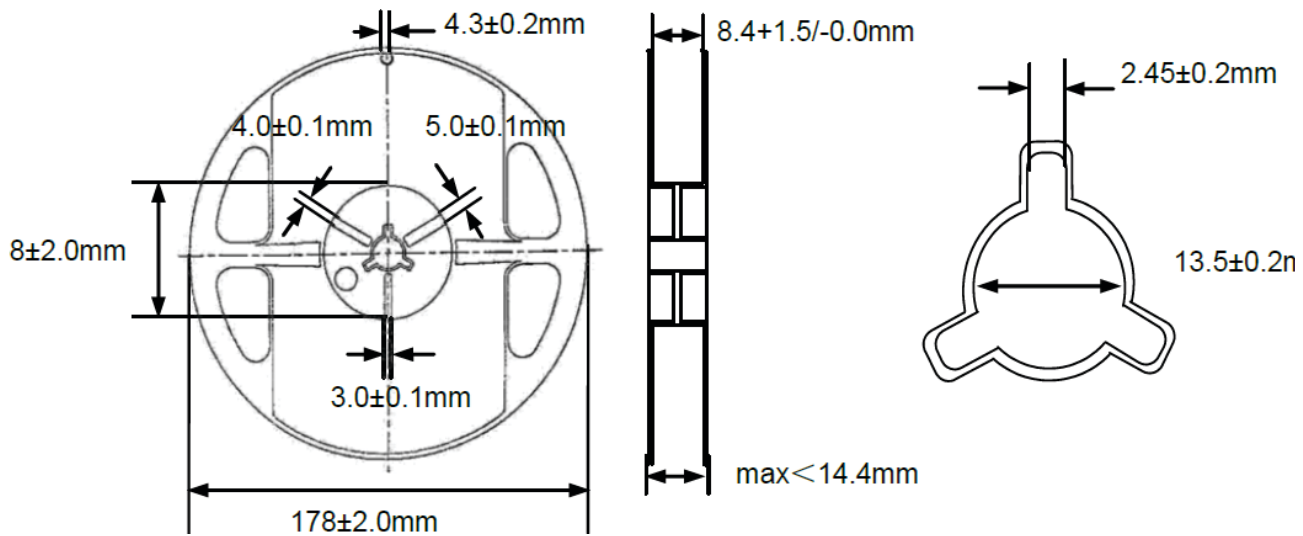
2.4 x 2.4 x 1.0mm  
RoHS/RoHS Compliant

## Packaging



$A_0$	$B_0$	$W$	$E$	$F$	$P_0$	$P_1$	$P_2$	$D_0$	$T$	$K_0$
2.45 $\pm 0.05$	2.75 $\pm 0.05$	8.0 $\pm 0.1$	1.75 $\pm 0.1$	3.5 $\pm 0.05$	4.0 $\pm 0.1$	4.0 $\pm 0.1$	2.0 $\pm 0.05$	1.5 +0.1/-0.0	0.25 $\pm 0.03$	1.20 $\pm 0.05$

## Dimensions: mm



**ATTENTION:** Abracon LLC's products are COTS – Commercial-Off-The-Shelf products; suitable for Commercial, Industrial and, where designated, Automotive Applications. Abracon's products are not specifically designed for Military, Aviation, Aerospace, Life-dependent Medical applications or any application requiring high reliability where component failure could result in loss of life and/or property. For applications requiring high reliability and/or presenting an extreme operating environment, written consent and authorization from Abracon LLC is required. Please contact Abracon LLC for more information.



5101 Hidden Creek Ln Spicewood TX 78669  
Phone: 512-371-6159 | Fax: 512-351-8858  
For terms and conditions of sales, please visit:  
[www.abracon.com](http://www.abracon.com)

REVISED: 04-15-20

ABRACON IS  
ISO9001-2015  
CERTIFIED

## X-ON Electronics

Largest Supplier of Electrical and Electronic Components

*Click to view similar products for [Fixed Inductors](#) category:*

*Click to view products by [ABRACON](#) manufacturer:*

Other Similar products are found below :

[CR43NP-680KC](#) [CR54NP-820KC](#) [CR54NP-8R5MC](#) [CTX32CT-100](#) [70F224AI](#) [MGDQ4-00004-P](#) [MHL1ECTTP18NJ](#) [MHL1JCTTD12NJ](#)  
[PE-51506NL](#) [PE-53601NL](#) [PE-53602NL](#) [PE-53630NL](#) [PE-53824SNLT](#) [PE-62892NL](#) [PE-92100NL](#) [PG0434.801NLT](#) [PG0936.113NLT](#)  
[9310-16](#) [PM06-2N7](#) [PM06-39NJ](#) [A01TK](#) [1206CS-471XJ](#) [HC2-2R2TR](#) [HC2LP-R47-R](#) [HC3-2R2-R](#) [HCF1305-3R3-R](#) [1206CS-151XG](#)  
[RCH664NP-140L](#) [RCH664NP-4R7M](#) [RCH8011NP-221L](#) [RCP1317NP-332L](#) [RCP1317NP-391L](#) [RCR1010NP-470M](#) [RCR110DNP-331L](#)  
[DH2280-4R7M](#) [DS1608C-106](#) [ASPI-4020HI-R10M-T](#) [B10TJ](#) [B82477P4333M](#) [B82498B3101J000](#) [B82498B3680J000](#) [ELJ-RE27NJF2](#)  
[1812CS-153XJ](#) [1812CS-183XJ](#) [1812CS-223XJ](#) [1812LS-104XJ](#) [1812LS-105XJ](#) [1812LS-124XJ](#) [1812LS-154XJ](#) [1812LS-223XJ](#)