

Low Profile Shielded SMD Chip Power Inductor



2.5 x 2.0 x 1.0mm



RoHS
Compliant

ASPI-2510 series

FEATURES:

- Small size and low profile: 1.0mm
- Small DCR and high rated current
- High reliability to mechanical stress
- Magnetically shielded by magnetic powder molding
- Suitable for RoHS reflow profile

APPLICATIONS:

- Mobile phones
- MP3 & 4 and other portable communication equipment
- Digital cameras.

ELECTRICAL SPECIFICATIONS:

Abracon P/N:	ASPI-2510 Series
Operating Temperature & Humidity :	-25°C to +120°C (Including self generated heat)
Storage Temperature & Humidity:	-10°C to +40°C, 30% to 70% RH

Part Number	Inductance	DCR	Saturation Current	Temperature Rise Current
Units	μH	$\text{m}\Omega \pm 20\%$	A	A
Symbol	L	DCR	Isat*	Irms*
ASPI-2510-R47	0.47	38	2.50	2.65
ASPI-2510-R68	0.68	52	2.05	2.20
ASPI-2510-1R0	1.0	70	1.75	1.90
ASPI-2510-1R5	1.5	107	1.45	1.50
ASPI-2510-2R2	2.2	158	1.20	1.20
ASPI-2510-3R3	3.3	229	0.94	1.00
ASPI-2510-4R7	4.7	332	0.80	0.82
ASPI-2510-6R8	6.8	443	0.68	0.71
ASPI-2510-100	10.0	712	0.56	0.55

Test Conditions

1. Inductance is measured in HP-4285A Precision LCR Meter.
2. RDC is measured in DU-5011 milli ohm meter.(or equivalent).
3. Isat : Based on inductance change ($\Delta L/L_o \leq -30\%$)
4. Irms : Based on temperature rise ($\Delta T : 40^\circ\text{C TYP.}$)
5. Test Freq: 100KHz, 1Vrms

OPTIONS AND PART IDENTIFICATION

ASPI-2510---

Inductance Code

Please refer to the Electrical Spec Table

Tolerance

N: $\pm 30\%^*$

M: $\pm 20\%^*$

*N for L = 0.47~1.5 μH

*M for L = 2.2 ~ 10 μH

Packaging

T2: Tape and Reel (2kpcs / reel)



Low Profile Shielded SMD Chip Power Inductor



2.5 x 2.0 x 1.0mm

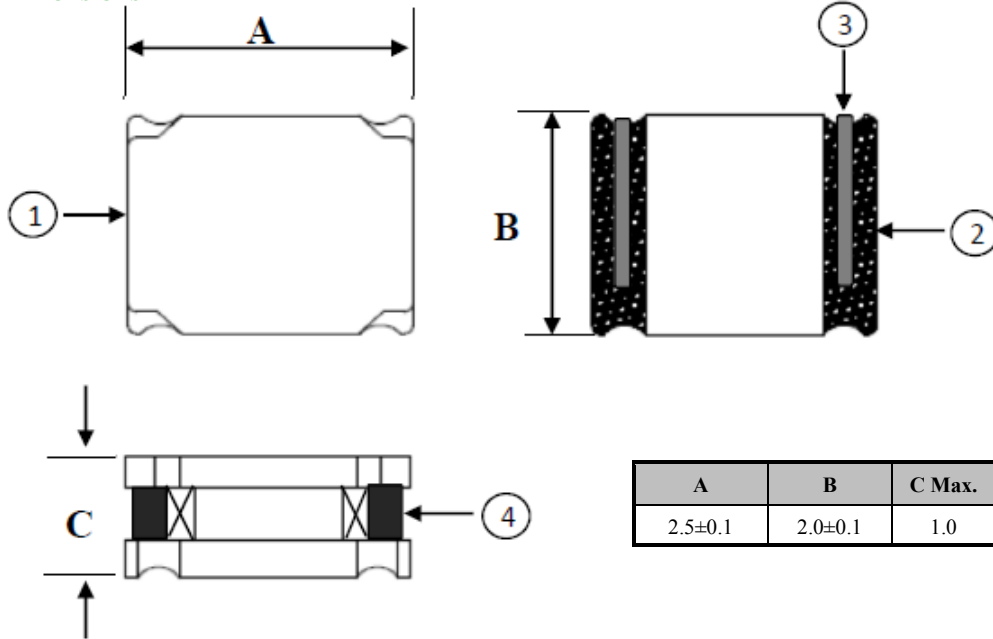
ASPI-2510 series



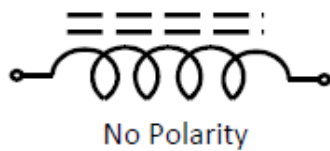
RoHS
Compliant

OUTLINE DRAWING:

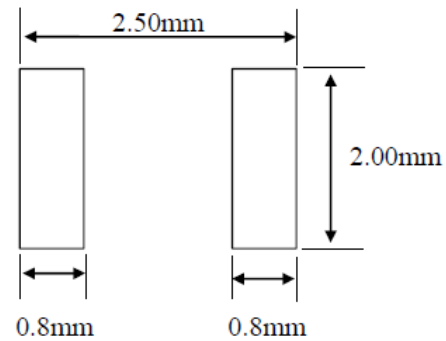
Mechanical Dimensions



Circuit Schematic



Recommended Land Pattern



Materials

No	Part Name	Material
1	Ferrite core	Ni-Zn Ferrite
2	Terminals	Ag/Ni/Sn
3	Coil	Cu/P180 Grd 1
4	Adhesive	Silicon Base Resin
	Magnetic Powder	Ni-Zn Ferrite

Dimension: mm

Low Profile Shielded SMD Chip Power Inductor



2.5 x 2.0 x 1.0mm

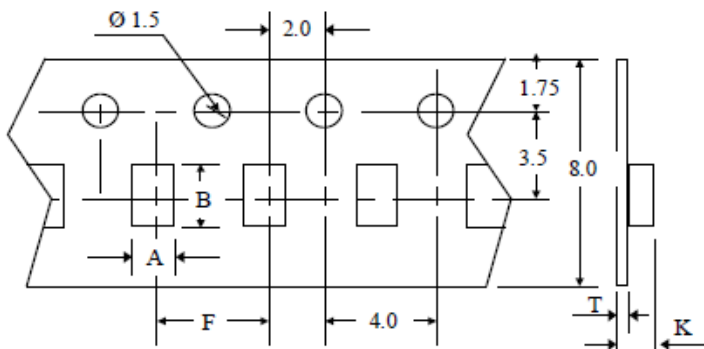
ASPI-2510 series



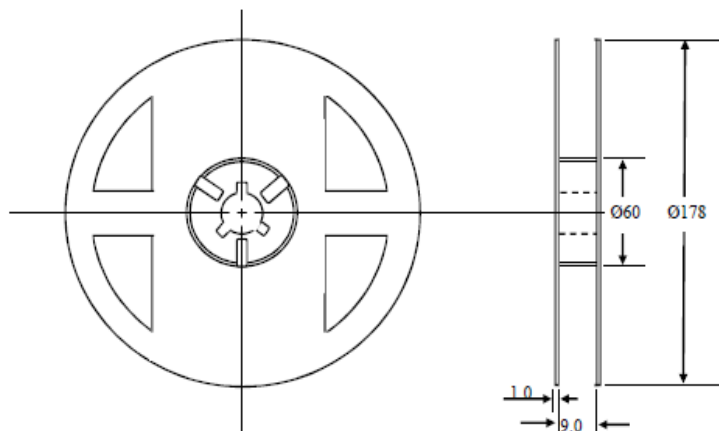
RoHS
Compliant

TAPE & REEL:

T: 2,000pcs / reel

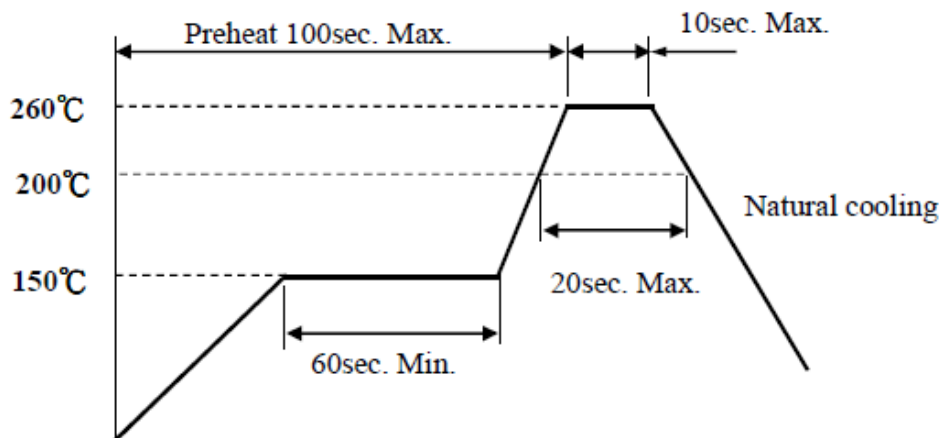


A	2.27
B	2.74
K	1.40
F	4
T	0.25



Dimension: mm

REFLOW PROFILE:



ATTENTION: Abracon Corporation's products are COTS – Commercial-Off-The-Shelf products; suitable for Commercial, Industrial and, where designated, Automotive Applications. Abracon's products are not specifically designed for Military, Aviation, Aerospace, Life-dependant Medical applications or any application requiring high reliability where component failure could result in loss of life and/or property. For applications requiring high reliability and/or presenting an extreme operating environment, written consent and authorization from Abracon Corporation is required. Please contact Abracon Corporation for more information.

ABRACON IS
ISO9001:2008
CERTIFIED



ABRACON
CORPORATION

Visit www.abracon.com for Terms & Conditions of Sale
30332 Esperanza, Rancho Santa Margarita, California 92688
tel 949-546-8000 | fax 949-546-8001 | www.abracon.com

Revised: 09.06.11

X-ON Electronics

Largest Supplier of Electrical and Electronic Components

Click to view similar products for [Fixed Inductors](#) category:

Click to view products by [ABRACON](#) manufacturer:

Other Similar products are found below :

[CR43NP-680KC](#) [CR54NP-820KC](#) [CR54NP-8R5MC](#) [CTX32CT-100](#) [70F224AI](#) [MGDQ4-00004-P](#) [MHL1ECTTP18NJ](#) [MHL1JCTTD12NJ](#)
[PE-51506NL](#) [PE-53601NL](#) [PE-53602NL](#) [PE-53630NL](#) [PE-53824SNLT](#) [PE-62892NL](#) [PE-92100NL](#) [PG0434.801NLT](#) [PG0936.113NLT](#)
[9310-16](#) [PM06-2N7](#) [PM06-39NJ](#) [A01TK](#) [1206CS-471XJ](#) [HC2-2R2TR](#) [HC2LP-R47-R](#) [HC3-2R2-R](#) [1206CS-151XG](#) [RCH664NP-140L](#)
[RCH664NP-4R7M](#) [RCH8011NP-221L](#) [RCP1317NP-332L](#) [RCP1317NP-391L](#) [RCR1010NP-470M](#) [RCR110DNP-331L](#) [DH2280-4R7M](#)
[DS1608C-106](#) [ASPI-4020HI-R10M-T](#) [B10TJ](#) [B82477P4333M](#) [B82498B3101J000](#) [B82498B3680J000](#) [ELJ-RE27NJF2](#) [1812CS-153XJ](#)
[1812CS-183XJ](#) [1812CS-223XJ](#) [1812LS-104XJ](#) [1812LS-105XJ](#) [1812LS-124XJ](#) [1812LS-154XJ](#) [1812LS-223XJ](#) [1812LS-224XJ](#)