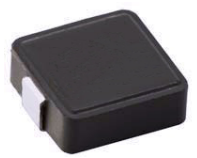


Shielded Power Inductor

ASPI-4020HI

 **RoHS/RoHS II Compliant**
MSL = 1



4.4 x 4.2 x 2.0mm

FEATURES:

- High saturation current
- Low loss due to low DC resistance
- Low profile with max thickness 2.1mm
- 100% lead free and meet RoHS standard
- Suitable for reflow soldering
- Highly reliable SMD package

APPLICATIONS:

- DC/DC converters in LED driver, Notebook, Tablet, Desktop and Server
- Low profile, high current power supplies

STANDARD SPECIFICATIONS

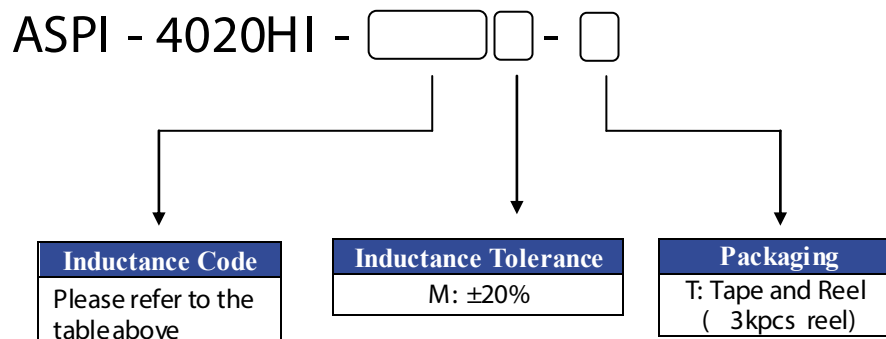
Abrakon P/N:	ASPI-4020HI Series
Operating Temperature & Humidity:	-55°C to +125°C
Storage Temperature & Humidity:	-10 to + 40 °C, 70% RH max (In tape and reel)

Part Number ASPI-4020HI- Inductance Code	L(uH)	Tolerance	DCR (mΩ) max.	Isat (A) Typ.	Irms (A) Typ.
ASPI-4020HI-R47	0.47	M	14	9.5	7.5
ASPI-4020HI-1R0	1.0	M	27	7.0	6.0
ASPI-4020HI-1R5	1.5	M	46	6.0	5.0
ASPI-4020HI-2R2	2.2	M	58	5.0	4.5
ASPI-4020HI-3R3	3.3	M	87	4.0	3.3
ASPI-4020HI-4R7	4.7	M	105	3.0	2.8
ASPI-4020HI-6R8	6.8	M	175	2.5	2.4

I_{sat} would cause inductance to drop by about 30%.

I_{rms} would cause an ΔT of about 40°C.

PART NUMBER IDENTIFICATION



Shielded Power Inductor

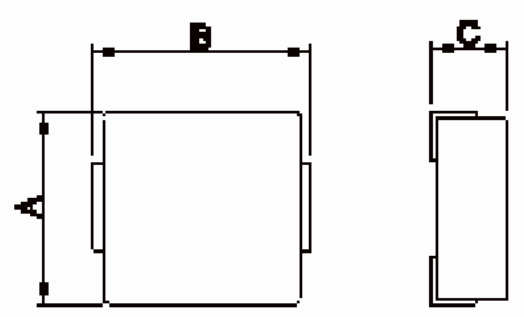
ASPI-4020HI

 RoHS/RoHS II Compliant
MSL = 1



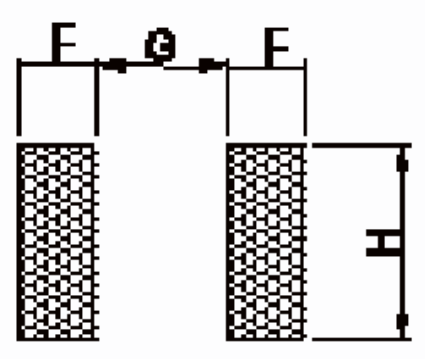
4.5 x 4.1 x 2.1mm

OUTLINE DRAWING:



A	B	C max.
4.2 ± 0.3	4.4 ± 0.35	2.0

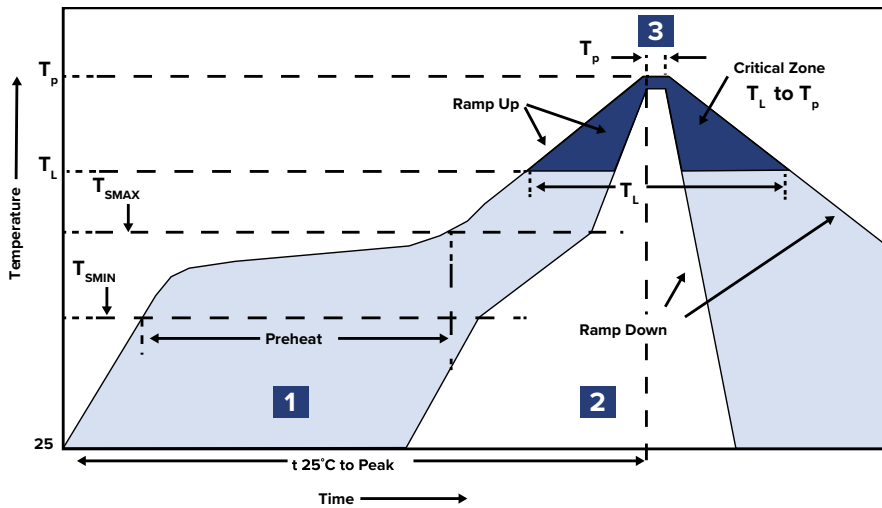
Recommended Land Pattern



F typ	G typ	H typ
1.5	2.2	2.5

Dimension: mm

REFLOW PROFILE



Zone	Description	Temperature	Time
1	Preheat / Soak	$T_{SMIN} \sim T_{SMAX}$ 150°C ~ 200°C	60 ~ 120 sec.
2	Reflow	T_L 217°C	60 ~ 90 sec.
3	Peak heat	T_P 255°C	10 sec. MAX

Shielded Power Inductor

ASPI-4020HI

 RoHS/RoHS II Compliant
MSL = 1

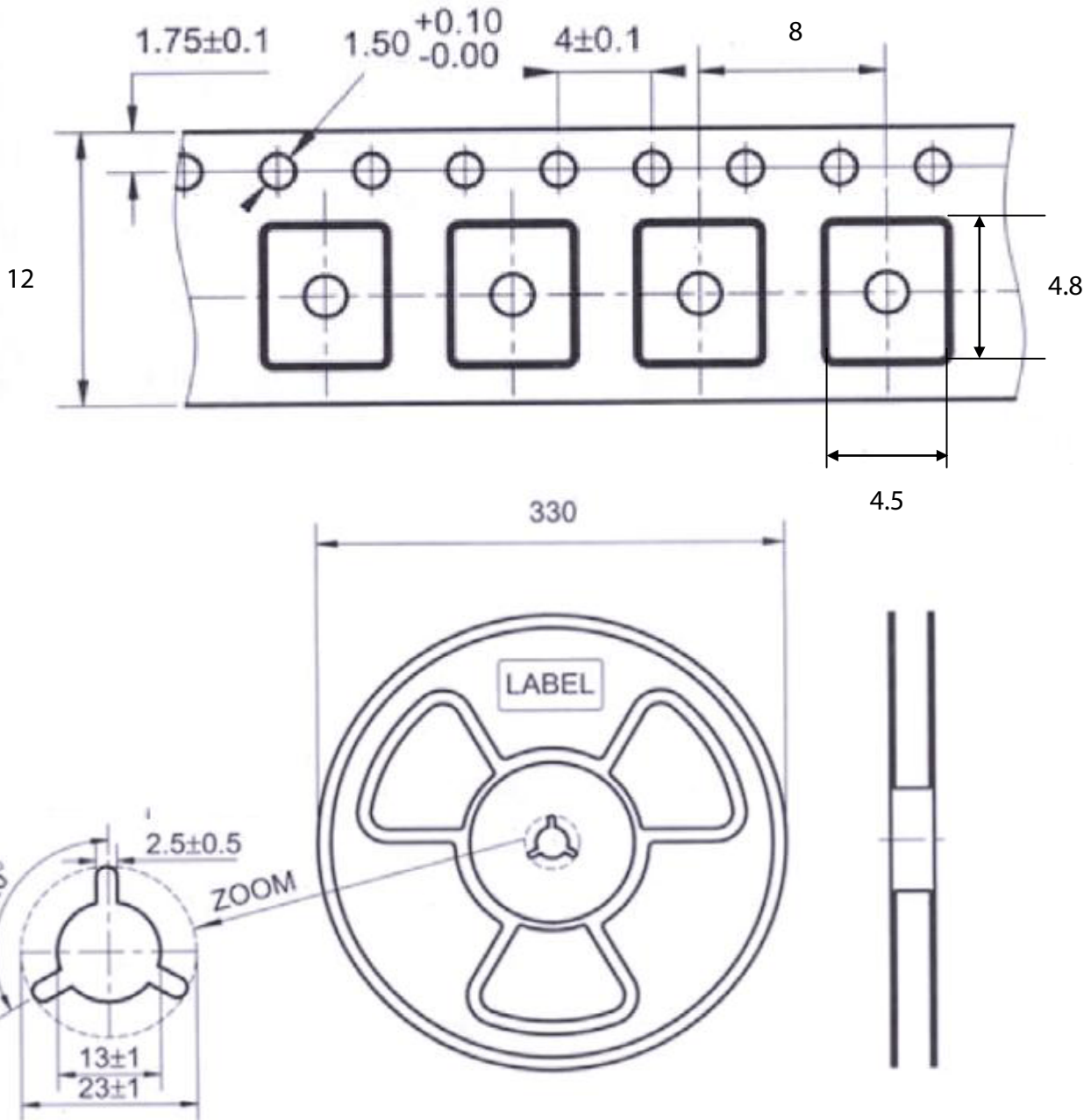


4.5 x 4.1 x 2.1mm

TAPE & REEL

Packing

T= tape and reel (3,000pc/reel)



Dimension: mm

ATTENTION: Abracon LLC's products are COTS – Commercial-Off-The-Shelf products; suitable for Commercial, Industrial and, where designated, Automotive Applications. Abracon's products are not specifically designed for Military, Aviation, Aerospace, Life-dependent Medical applications or any application requiring high reliability where component failure could result in loss of life and/or property. For applications requiring high reliability and/or presenting an extreme operating environment, written consent and authorization from Abracon LLC is required. Please contact Abracon LLC for more information.

X-ON Electronics

Largest Supplier of Electrical and Electronic Components

Click to view similar products for [Fixed Inductors](#) category:

Click to view products by [ABRACON](#) manufacturer:

Other Similar products are found below :

[CR43NP-680KC](#) [CR54NP-820KC](#) [CR54NP-8R5MC](#) [CTX32CT-100](#) [70F224AI](#) [MGDQ4-00004-P](#) [MHL1ECTTP18NJ](#) [MHL1JCTTD12NJ](#)
[PE-51506NL](#) [PE-53601NL](#) [PE-53602NL](#) [PE-53630NL](#) [PE-53824SNLT](#) [PE-62892NL](#) [PE-92100NL](#) [PG0434.801NLT](#) [PG0936.113NLT](#)
[9310-16](#) [PM06-2N7](#) [PM06-39NJ](#) [A01TK](#) [1206CS-471XJ](#) [HC2-2R2TR](#) [HC2LP-R47-R](#) [HC3-2R2-R](#) [HCF1305-3R3-R](#) [1206CS-151XG](#)
[RCH664NP-140L](#) [RCH664NP-4R7M](#) [RCH8011NP-221L](#) [RCP1317NP-332L](#) [RCP1317NP-391L](#) [RCR1010NP-470M](#) [RCR110DNP-331L](#)
[DH2280-4R7M](#) [DS1608C-106](#) [ASPI-4020HI-R10M-T](#) [B10TJ](#) [B82477P4333M](#) [B82498B3101J000](#) [B82498B3680J000](#) [ELJ-RE27NJF2](#)
[1812CS-153XJ](#) [1812CS-183XJ](#) [1812CS-223XJ](#) [1812LS-104XJ](#) [1812LS-105XJ](#) [1812LS-124XJ](#) [1812LS-154XJ](#) [1812LS-223XJ](#)