

SMD ONE PORT SAW RESONATOR

ASR418S2



RoHS
Compliant



5.0 x 3.5 x 1.4mm

FEATURES:

- One port SAW
- Fundamental
- Seam sealed ceramic package assures high reliability
- Low insertion loss 1.2dB typical
- 50 ohms input/output impedance

APPLICATIONS:

- Transmitter
- Remote controller

STANDARD SPECIFICATIONS

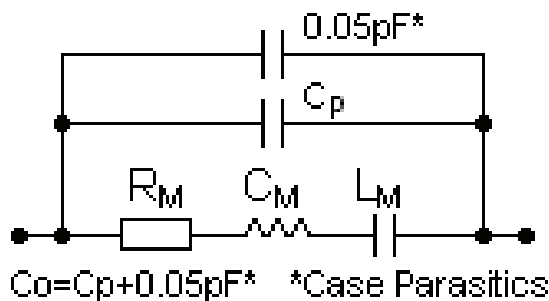
Key Electrical Specifications

Parameters	Minimum	Typical	Maximum	Units	Notes
Center Frequency (f_0)	417.925	418.000	418.075	MHz	418MHz±75kHz
Insertion Loss	-----	1.2	1.8	dB	
Quality Factor	-----	10,730	-----		Unloaded Q
	-----	1,400	-----		50Ω loaded Q
Turnover Temperature	25	-----	50	°C	
Turnover Frequency	-----	F0	-----	MHz	
Freq. Temp. Coefficient	-----	0.032	-----	ppm/°C	
Frequency Aging	-----	-----	≤±10	ppm/yr	
DC Insulation Resistance	1.0	-----	-----	MΩ	
Motional Resistance R1	-----	15	23	Ω	
Motional Inductance L1	-----	61.3325	-----	uH	
Motional Capacitance C1	-----	2.3661	-----	fF	
Shunt Static Capacitance C0	2.05	2.35	2.65	pF	
Operation Temperature Range	-40	-----	+85	°C	
Storage Temperature Range	-45	-----	+85	°C	
DC Voltage between terminals	-----	-----	±30	Vdc	
CW RF Power Dissipation	-----	-----	0	dBm	

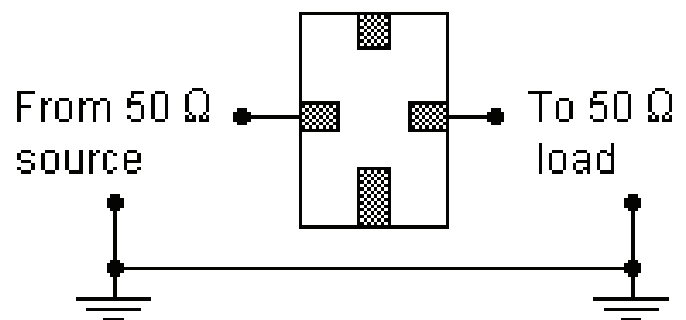
EQUIVALENT LC MODEL

TEST CIRCUIT

Equivalent LC Model



Test Circuit



SMD ONE PORT SAW RESONATOR

ASR418S2

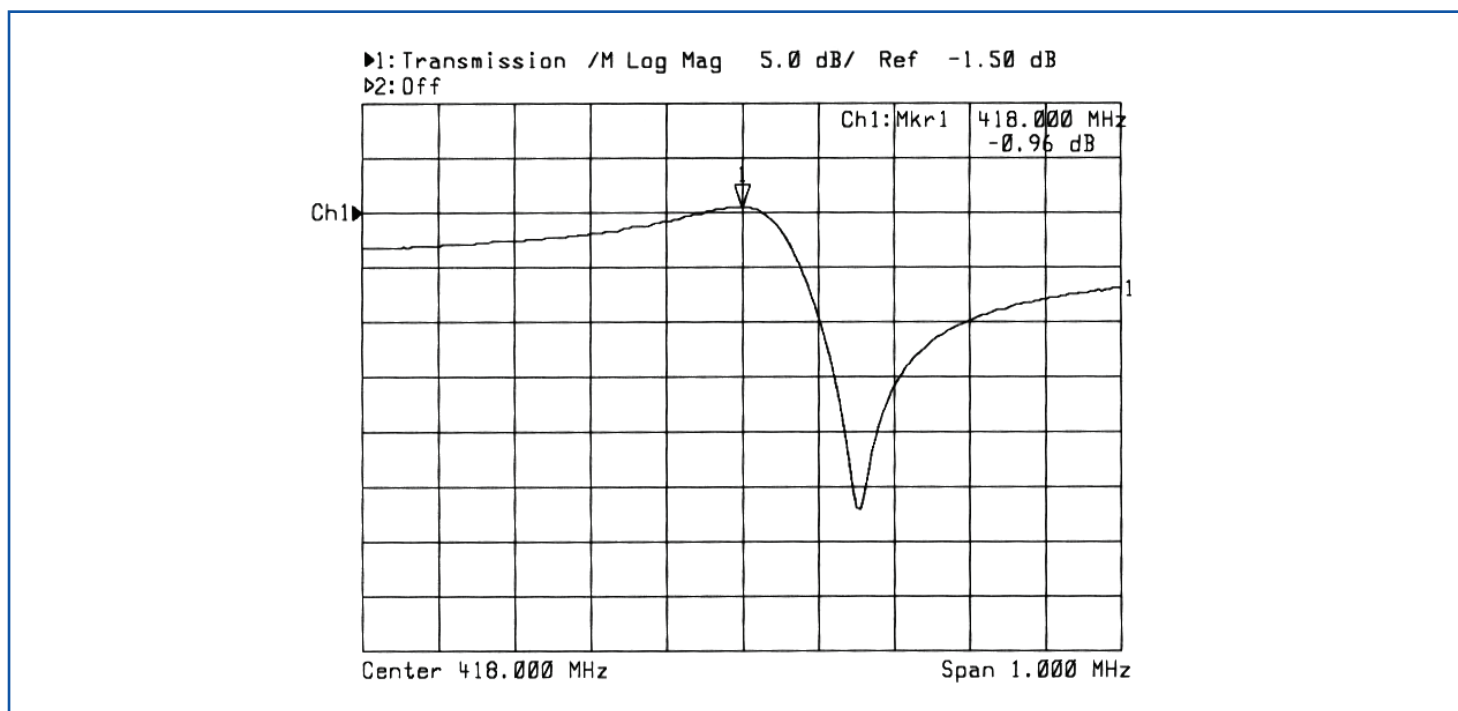


RoHS
Compliant

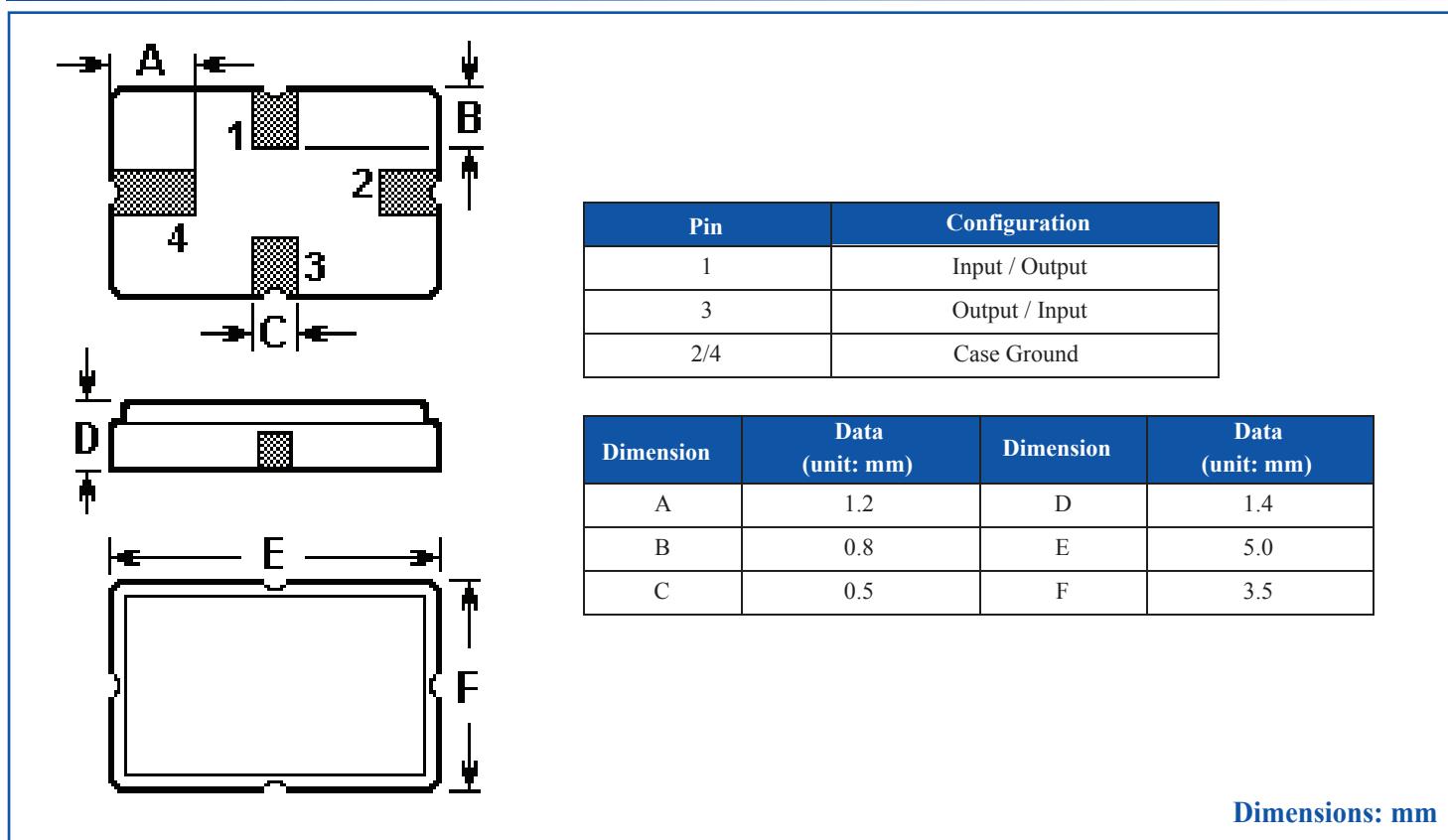


5.0 x 3.5 x 1.4mm

TYPICAL FREQUENCY RESPONSE



OUTLINE DIMENSIONS



SMD ONE PORT SAW RESONATOR

ASR418S2

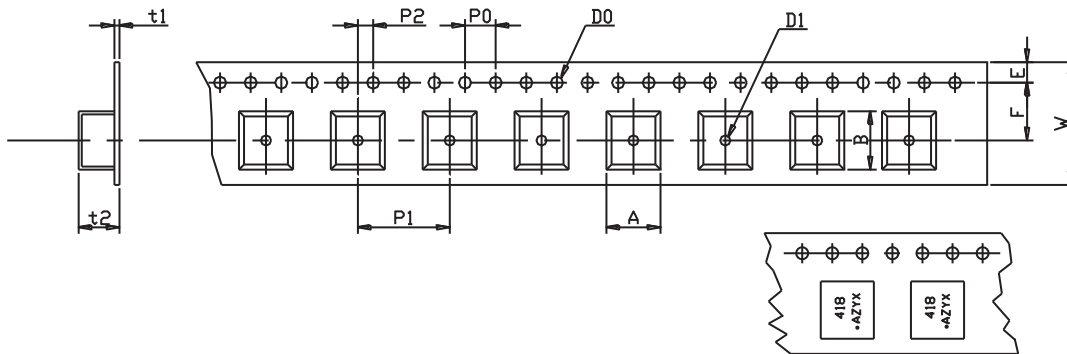


RoHS
Compliant

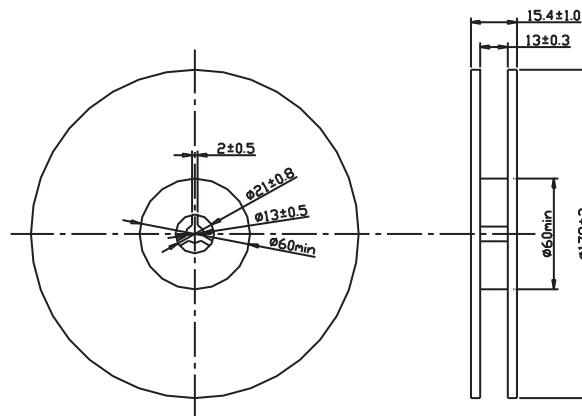


5.0 x 3.5 x 1.4mm

TAPE & REEL: 1000pcs/reel

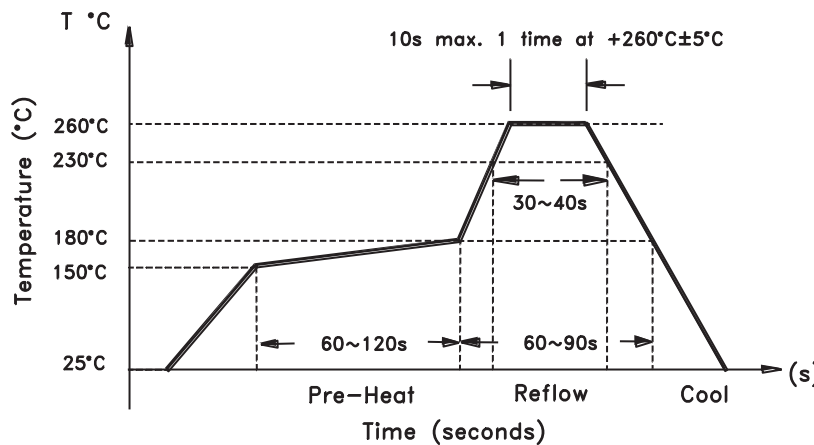


W	F	E	P0	P1	P2	D0	D1	t1	t2	A	B
12.0	5.5	1.75	4.0	8.0	2.0	Φ1.5	Φ1.5	0.31	1.95	3.8	5.3
±0.3	±0.1	±0.1	±0.2	±0.1	±0.2	±0.1	±0.25	max.	max.	max.	max.



Dimensions: mm

REFLOW PROFILE



ATTENTION: Abracon Corporation's products are COTS – Commercial-Off-The-Shelf products; suitable for Commercial, Industrial and, where designated, Automotive Applications. Abracon's products are not specifically designed for Military, Aviation, Aerospace, Life-dependant Medical applications or any application requiring high reliability where component failure could result in loss of life and/or property. For applications requiring high reliability and/or presenting an extreme operating environment, written consent and authorization from Abracon Corporation is required. Please contact Abracon Corporation for more information.

ABRACON IS
ISO9001:2008
CERTIFIED



Visit www.abracon.com for Terms & Conditions of Sale **Revised: 02.21.11**

30332 Esperanza, Rancho Santa Margarita, California 92688

tel 949-546-8000 | fax 949-546-8001 | www.abracon.com

X-ON Electronics

Largest Supplier of Electrical and Electronic Components

Click to view similar products for [Resonators](#) category:

Click to view products by [Abracon](#) manufacturer:

Other Similar products are found below :

[B39431R820H210](#) [CSAC2.00MGCM-TC](#) [ECS-HFR-40.00-B-TR](#) [CSTLS4M00G53Z-A0](#) [ECS-CR2-16.00-A-TR](#) [ECS-HFR-20.00-B-TR](#)
[ECS-CR2-20.00-A-TR](#) [RO3164E-3](#) [CSTNE14M7V510000R0](#) [7D038400I01](#) [7B009843R01](#) [NX2012SA](#) [32.768KHZ](#) [STD-MUB-1](#)
[NX3215SA](#) [32.768KHZ](#) [STD-MUS-2](#) [7B009843M01](#) [OZ26030001](#) [Q22FA12800519](#) [CSTCR4M00G55E-R0](#) [XC32M4-37.400-F16NLDT](#)
[CSTLS24M0X53-B0](#) [AWSCR-10.00CELB-C10-T3](#) [AWSCR-12.00CELA-C33-T3](#) [AWSCR-2.00CPLB-C15-T4](#) [AWSCR-3.58CPLA-C30-T4](#)
[AWSCR-3.58CPLB-C30-T4](#) [AWSCR-4.00CPLA-C33-T4](#) [AWSCR-4.00CPLB-C10-T4](#) [AWSCR-4.00CRLA-C39-T3](#) [AWSCR-4.19CPLA-](#)
[C30-T4](#) [AWSCR-4.19CRLA-C15-T3](#) [AWSCR-4.19CRLB-C15-T3](#) [AWSCR-4.91CRLB-C15-T3](#) [AWSCR-5.00CPLA-C30-T4](#) [AWSCR-](#)
[5.00CPLB-C30-T4](#) [AWSCR-5.00CRLA-C15-T3](#) [AWSCR-5.00CRLA-C39-T3](#) [AWSCR-5.00CRLB-C15-T3](#) [AWSCR-7.37CPLA-C30-T4](#)
[AWSCR-7.37CPLB-C30-T4](#) [9AC04194152080D2JB](#) [CSTCR4M91G55B-R0](#) [CSTLS3M68G56-B0](#) [FC-12M32.768KHZ9PF20PPM](#)
[ASR433.42E-T](#) [ZTTCS8.00MT](#) [X1A000091000500](#) [X1A0000910001](#) [ECS-SR1-4.19-B-TR](#) [7C024000HW1](#) [7C012000IW1](#) [7C012000MW1](#)