

One-Port SMD SAW Resonator

ASR868.35E



5.0 x 5.0 x 1.35mm

Moisture Sensitivity Level (MSL) – This product is Hermetically Sealed and not Moisture Sensitive - MSL = N/A: Not Applicable

FEATURES:

- One port resonator
- SMD ceramic package: 5.0 x 5.0 x 1.35mm
- Provides reliable, fundamental mode, quartz frequency stabilization

APPLICATIONS:

- Remote control
- Wireless security

STANDARD SPECIFICATIONS:

Maximum Rating

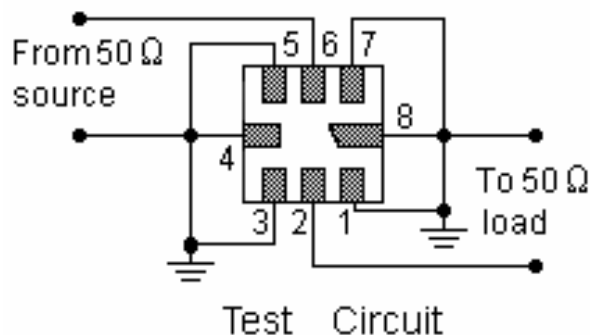
Parameters	Minimum	Typical	Maximum	Units	Notes
DC Voltage between any terminals	-30		+30	V _{DC}	
Operation Temperature	-40		+85	°C	
Storage Temperature	-40		+85	°C	
RF Power Dissipation			0	dBm	

Key Electrical Specifications

Test temperature: +25°C±2°C; Terminating source impedance: 50Ω; Terminating load impedance: 50Ω

Parameters	Minimum	Typical	Maximum	Units	Notes
Center Frequency (f ₀)	868.200	868.350	868.500	MHz	
Insertion Loss		1.6	2.2	dB	
Quality Factor	Unloaded Q	9000			
	50Ω Loaded Q		1500		
Temperature Stability	Turnover Temperature	25		55	°C
	Frequency Temperature Coefficient		0.032		ppm/°C ²
RF Equivalent RLC Model	Motional Resistance R ₁		20	29	Ω
	Motional Inductance L ₁		33.0079		μH
	Motional Inductance C ₁		1.0188		fF
	Shunt Static Capacitance C ₀	2.25	2.55	2.85	pF
Frequency Aging (first year)		≤10		ppm/yr	
DC Insulation Resistance	1.0			MΩ	

TEST CIRCUIT



One-Port SMD SAW Resonator

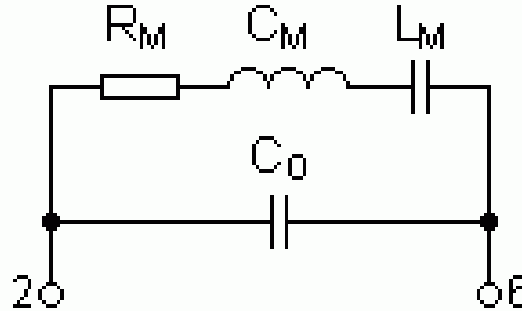
ASR868.35E

 RoHS/RoHS II Compliant

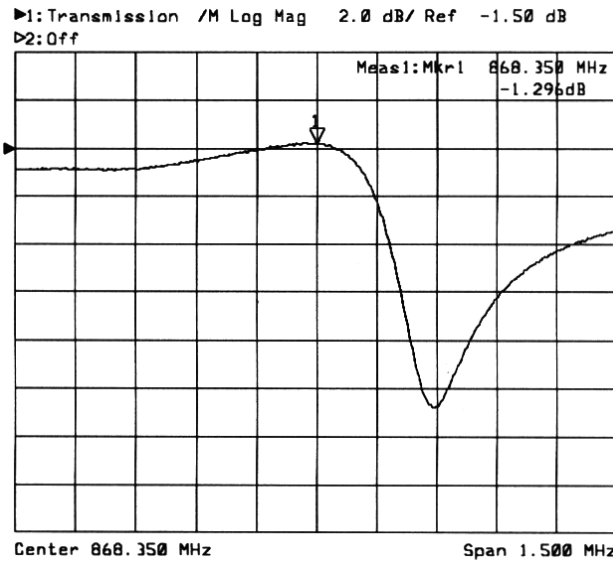


5.0 x 5.0 x 1.35mm

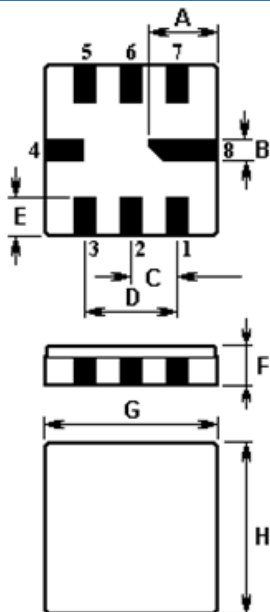
EQUIVALENT MODEL:



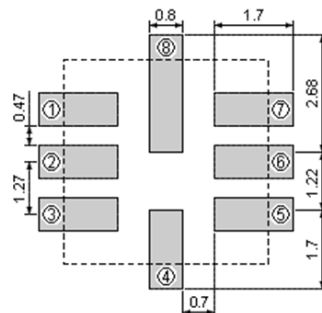
TYPICAL FREQUENCY RESPONSE:



OUTLINE DRAWING:



Recommended Land Pattern



Item	Dimension (mm)
A	2.08
B	0.6
C	1.27
D	2.54
E	1.2
F	1.35
G	5.0
H	5.0

Pin #	Function
2	Terminal 1
6	Terminal 2
4,8	Case Ground
1,3,5,7	NC

Dimensions: mm

One-Port SMD SAW Resonator

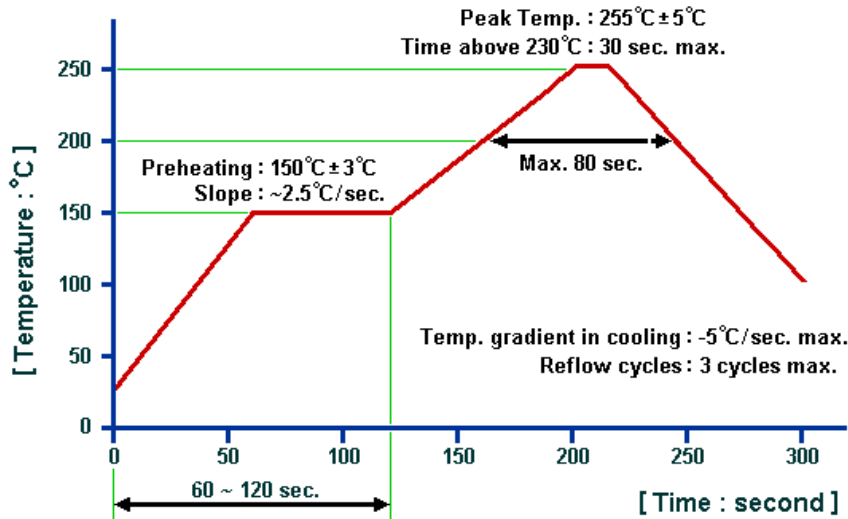
ASR868.35E

 RoHS/RoHS II Compliant



5.0 x 5.0 x 1.35mm

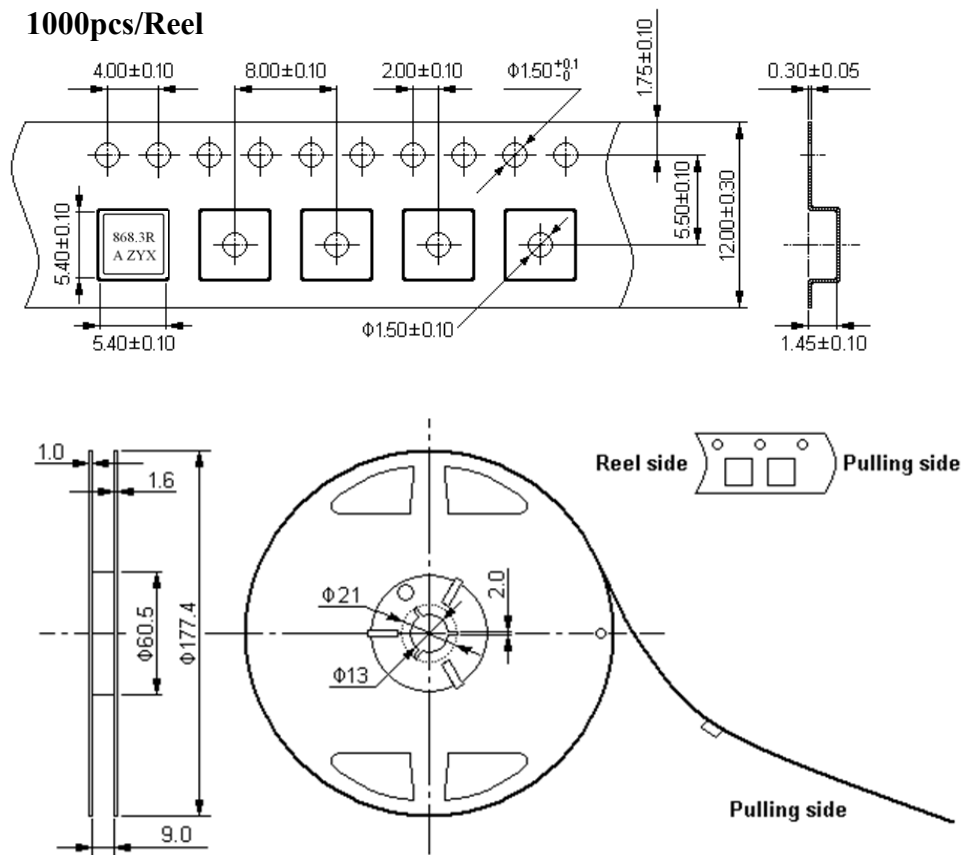
REFLOW PROFILE:



TAPE & REEL:

Packaging:

1000pcs/Reel



Dimensions: mm

ATTENTION: Abracon Corporation's products are COTS – Commercial-Off-The-Shelf products; suitable for Commercial, Industrial and, where designated, Automotive Applications. Abracon's products are not specifically designed for Military, Aviation, Aerospace, Life-dependant Medical applications or any application requiring high reliability where component failure could result in loss of life and/or property. For applications requiring high reliability and/or presenting an extreme operating environment, written consent and authorization from Abracon Corporation is required. Please contact Abracon Corporation for more information.

ABRACON IS
ISO9001:2008
CERTIFIED

 **ABRACON**[®]
The Power of Linking Together

2 Faraday, Suite# B | Irvine | CA 92618 Revised: 09.22.15

Ph. 949.546.8000 | Fax. 949.546.8001

Visit www.abracon.com for Terms and Conditions of Sale

X-ON Electronics

Largest Supplier of Electrical and Electronic Components

Click to view similar products for [Resonators](#) category:

Click to view products by [ABRACON](#) manufacturer:

Other Similar products are found below :

[B39431R820H210](#) [CSAC2.00MGCM-TC](#) [ECS-HFR-40.00-B-TR](#) [CSTLS4M00G53Z-A0](#) [ECS-CR2-16.00-A-TR](#) [ECS-HFR-20.00-B-TR](#)
[ECS-CR2-20.00-A-TR](#) [RO3164E-3](#) [CSTNE14M7V510000R0](#) [7D038400I01](#) [7B009843R01](#) [NX2012SA](#) [32.768KHZ](#) [STD-MUB-1](#)
[NX3215SA](#) [32.768KHZ](#) [STD-MUS-2](#) [7B009843M01](#) [OZ26030001](#) [Q22FA12800519](#) [CSTCR4M00G55E-R0](#) [XC32M4-37.400-F16NLDT](#)
[CSTLS24M0X53-B0](#) [AWSCR-10.00CELB-C10-T3](#) [AWSCR-12.00CELA-C33-T3](#) [AWSCR-2.00CPLB-C15-T4](#) [AWSCR-3.58CPLA-C30-T4](#)
[AWSCR-3.58CPLB-C30-T4](#) [AWSCR-4.00CPLA-C33-T4](#) [AWSCR-4.00CPLB-C10-T4](#) [AWSCR-4.00CRLA-C39-T3](#) [AWSCR-4.19CPLA-](#)
[C30-T4](#) [AWSCR-4.19CRLA-C15-T3](#) [AWSCR-4.19CRLB-C15-T3](#) [AWSCR-4.91CRLB-C15-T3](#) [AWSCR-5.00CPLA-C30-T4](#) [AWSCR-](#)
[5.00CPLB-C30-T4](#) [AWSCR-5.00CRLA-C15-T3](#) [AWSCR-5.00CRLA-C39-T3](#) [AWSCR-5.00CRLB-C15-T3](#) [AWSCR-7.37CPLA-C30-T4](#)
[AWSCR-7.37CPLB-C30-T4](#) [9AC04194152080D2JB](#) [CSTCR4M91G55B-R0](#) [CSTLS3M68G56-B0](#) [FC-12M32.768KHZ9PF20PPM](#)
[ASR433.42E-T](#) [ZTTCS8.00MT](#) [X1A000091000500](#) [X1A0000910001](#) [ECS-SR1-4.19-B-TR](#) [7C024000HW1](#) [7C012000IW1](#) [7C012000MW1](#)