

CONTINUOUS VOLTAGE SMD TCXO

ATX-13

Request Samples



Check Inventory



ESD Sensitive



2.0 x 1.6 x 0.8 mm
RoHS/RoHS II Compliant
MSL Level = 1

Features

- Both continuous & fixed Vdd options available
- Output waveform clipped sinewave
- Hermetically seam-sealed ceramic package
- Low current consumption

Applications

- Cellular and cordless phones
- Standard oscillator for exact equipment
- Consumer electronics
- Industrial control & automation
- Mobile communication

Electrical Specifications [Note 1]

Parameters	Min.	Typ.	Max.	Units	Notes
Frequency Range	10		52	MHz	
Standard Frequencies	26, 38.4, 50, 52			MHz	
Operating Temperature	-40		+85	°C	See Options (Table 1)
Storage Temperature	-40		+85	°C	
Frequency Stability $\Delta f/f_o$ vs:					
Tolerance Tolerance Temperature Supply Voltage Change Load Change	-1.0		+1.0	ppm	Reference to f_o , at 25°C±2°C, Pre-reflow
	-2.0		+2.0		Reference to f_o , at 25°C ±2°C, 24 hours after reflow, two times
	-2.5		+2.5		See Options (Table 1)
	-0.2		+0.2		Reference to f_o , at 25°C ±2°C
	-0.2		+0.2		Vdd ± 5%
Aging	-1.0		+1.0		CL ± 1kΩ/±1pF First year @+25°C±2°C
Supply Voltage (Vdd)	+3.135	+3.3	+3.465	V	Option E
	+2.85	+3.0	+3.15		Option A
	+2.66	+2.8	+2.94		Option B
	+2.375	+2.5	+2.625		Option C
	+1.71	+1.8	+1.89		Option D
Supply Current (Idd)			2.0	mA	10.00MHz to 26.00 MHz
			2.5		26.01MHz to 52.00MHz
Start-up Time			2.0	ms	
Output Voltage	0.8			Vp-p	
Output Load	9	10	11	kΩ	
	9	10	11	pF	
Output Waveform	Clipped Sine Wave, External DC-Cut Capacitor Required				1000 pF recommended
Phase Noise (@ 10 MHz Carrier, @ 25°C ±2°C)					
@10Hz offset		-100	-96	dBc/Hz	Applicable to all standard available frequencies with Vdd = +1.8V, +2.5, +2.8, +3.0V, +3.3V
@100Hz offset		-125	-121		
@1kHz offset		-138	-134		
@10kHz offset		-149	-146		
@100kHz offset		-158	-155		
@1MHz offset		-159	-156		
@5MHz offset		-159	-156		
Phase Noise (@ 52 MHz Carrier, @ 25°C ±2°C)					
@10Hz offset		-83	-79	dBc/Hz	Applicable to all standard available frequencies with Vdd = +1.8V, +2.5, +2.8, +3.0V, +3.3V
@100Hz offset		-110	-106		
@1kHz offset		-132	-128		
@10kHz offset		-149	-146		
@100kHz offset		-156	-153		
@1MHz offset		-157	-154		
@10MHz offset		-157	-154		
@20MHz offset		-158	-155		

Note 1: All measurements made at 25°C ±2°C, nominal Vdd, unless otherwise specified



5101 Hidden Creek Ln Spicewood TX 78669
Phone: 512-371-6159 | Fax: 512-351-8858
For terms and conditions of sales, please visit:
www.abracon.com

REVISED: 11-11-20

ABRACON IS
ISO9001-2015
CERTIFIED

CONTINUOUS VOLTAGE SMD TCXO

ATX-13

Request Samples



Check Inventory



ESD Sensitive



2.0 x 1.6 x 0.8 mm
RoHS/RoHS II Compliant
MSL Level = 1

Part Identification

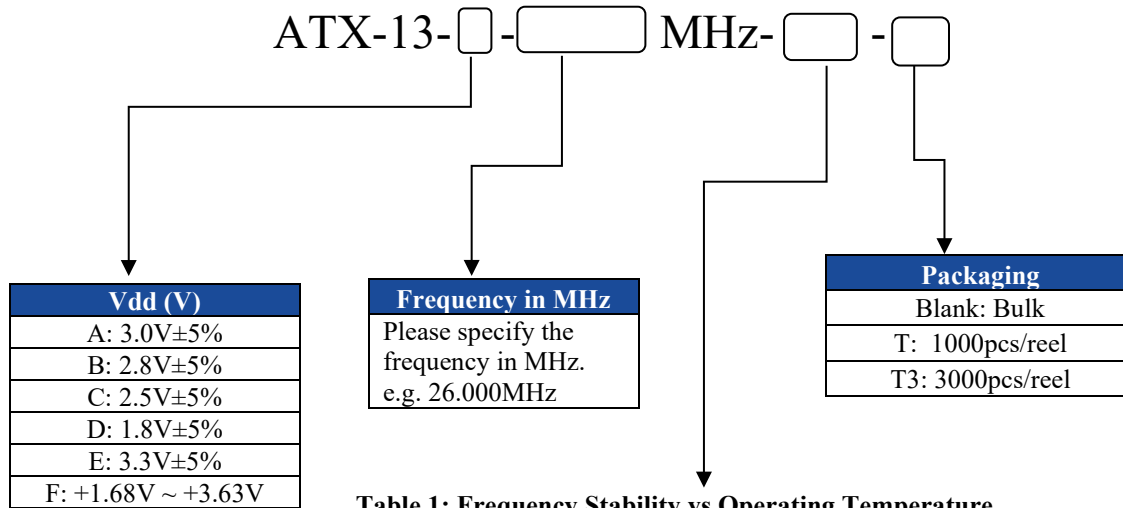
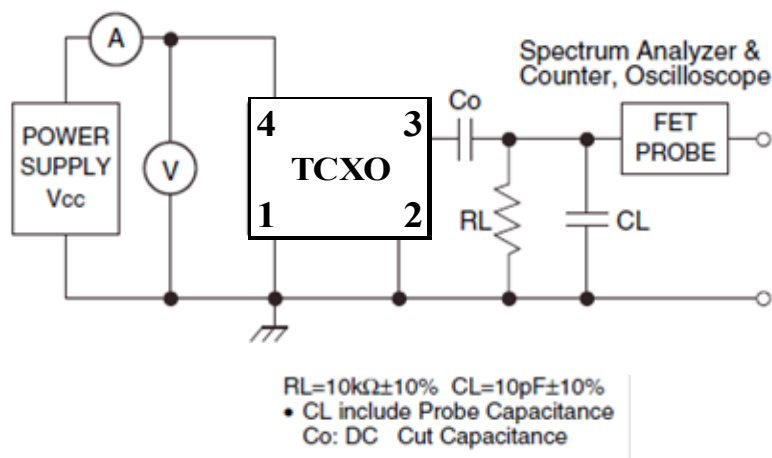


Table 1: Frequency Stability vs Operating Temperature

	±0.5ppm	±1.0ppm	±1.5ppm	±2.0ppm	±2.5ppm
0°C ~ +70°C	A05	A10	A15	A20	A25
-10°C ~ +60°C	B05	B10	B15	B20	B25
-20°C ~ +70°C	C05	C10	C15	C20	C25
-30°C ~ +75°C	D05	D10	D15	D20	D25
-30°C ~ +85°C	E05	E10	E15	E20	E25
-40°C ~ +85°C	F05	F10	F15	F20	F25

Recommended Test Circuit



CONTINUOUS VOLTAGE SMD TCXO

ATX-13

Request Samples



Check Inventory

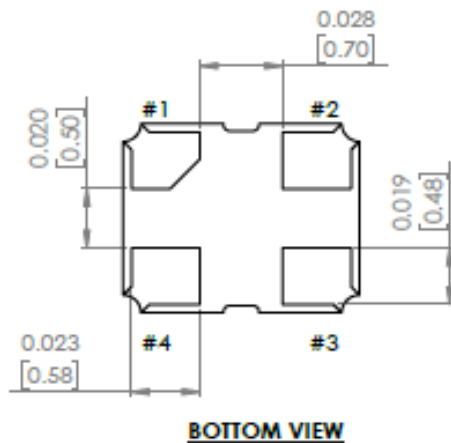
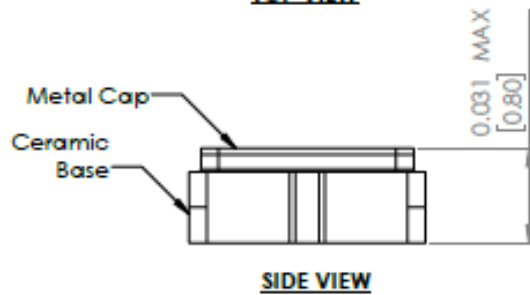
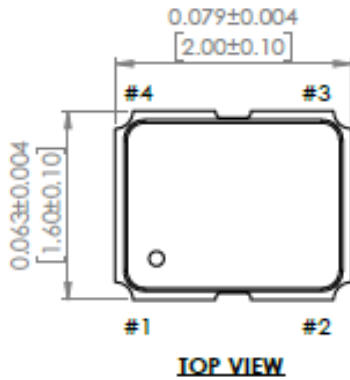


ESD Sensitive

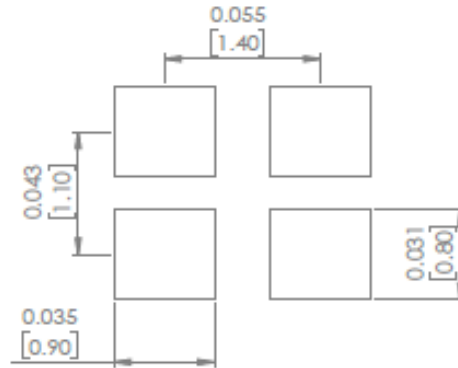


2.0 x 1.6 x 0.8 mm
RoHS/RoHS II Compliant
 MSL Level = 1

Mechanical Dimensions



Recommended Land Pattern



Pin #	Function
1	GND
2	GND
3	Output
4	Vdd

Dimensions: inches (mm)

CONTINUOUS VOLTAGE SMD TCXO

ATX-13

Request Samples



Check Inventory



ESD Sensitive



2.0 x 1.6 x 0.8 mm
RoHS/RoHS II Compliant
MSL Level = 1

Reflow Profile [JDEC J-STD-020]

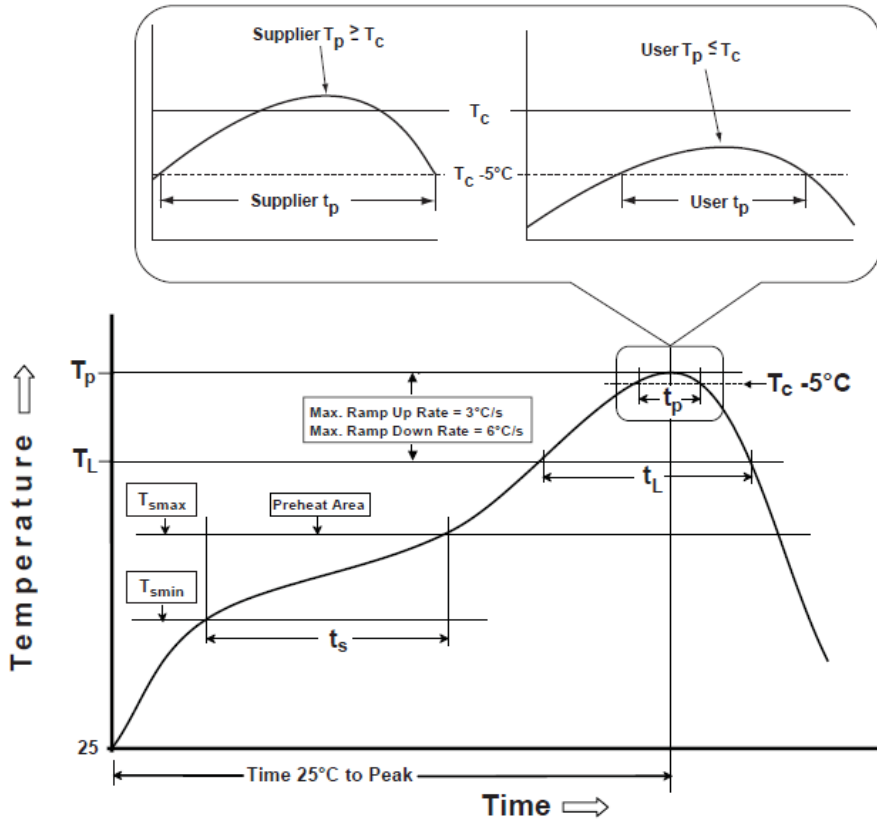


Table 1

SnPb Eutectic Process Classification Temperatures (T_c)		
Package Thickness	Volume mm^3 <350	Volume mm^3 \geq 350
<2.5 mm	235 °C	220 °C
\geq 2.5 mm	220 °C	220 °C

Table 2

Pb-Free Process Classification Temperatures (T_c)			
Package Thickness	Volume mm^3 <350	Volume mm^3 350-2000	Volume mm^3 >2000
<1.6 mm	260 °C	260 °C	260 °C
1.6 mm - 2.5 mm	260 °C	250 °C	245 °C
>2.5 mm	250 °C	245 °C	245 °C

Profile Feature	Sn-Pb Eutectic Assembly	Pb-Free Assembly
Preheat / soak		
Temperature minimum (T_{smin})	100°C	150°C
Temperature maximum (T_{smax})	150°C	200°C
Time (T_{smin} to T_{smax}) (t_s)	60 - 120 sec.	60 - 120 sec.
Average ramp-up rate (T_{smax} to T_p)	3°C/sec. max	3°C/sec. max
Liquidous temperature (T_L)	183°C	217°C
Time at liquidous (t_L)	60 - 150 sec.	60 - 150 sec.
Peak package body temperature (T_p)*	<i>see Table 1</i>	<i>see Table 2</i>
Time (t_p)** within 5°C of the specified classification temperature (T_c)	20 sec.	30 sec.
Ramp-down rate (T_p to T_{smax})	6°C/sec. max	6°C/sec. max
Time 25°C to peak temperature	6 min. max	8 min. max

*Tolerance for peak profile temperature (T_p) is defined as a supplier minimum and a user maximum.

**Tolerance for time at peak profile temperature (t_p) is defined as a supplier minimum and a user maximum.



5101 Hidden Creek Ln Spicewood TX 78669
Phone: 512-371-6159 | Fax: 512-351-8858
For terms and conditions of sales, please visit:
www.abracon.com

REVISED: 11-11-20

ABRACON IS
ISO9001-2015
CERTIFIED

CONTINUOUS VOLTAGE SMD TCXO

ATX-13

Request Samples



Check Inventory



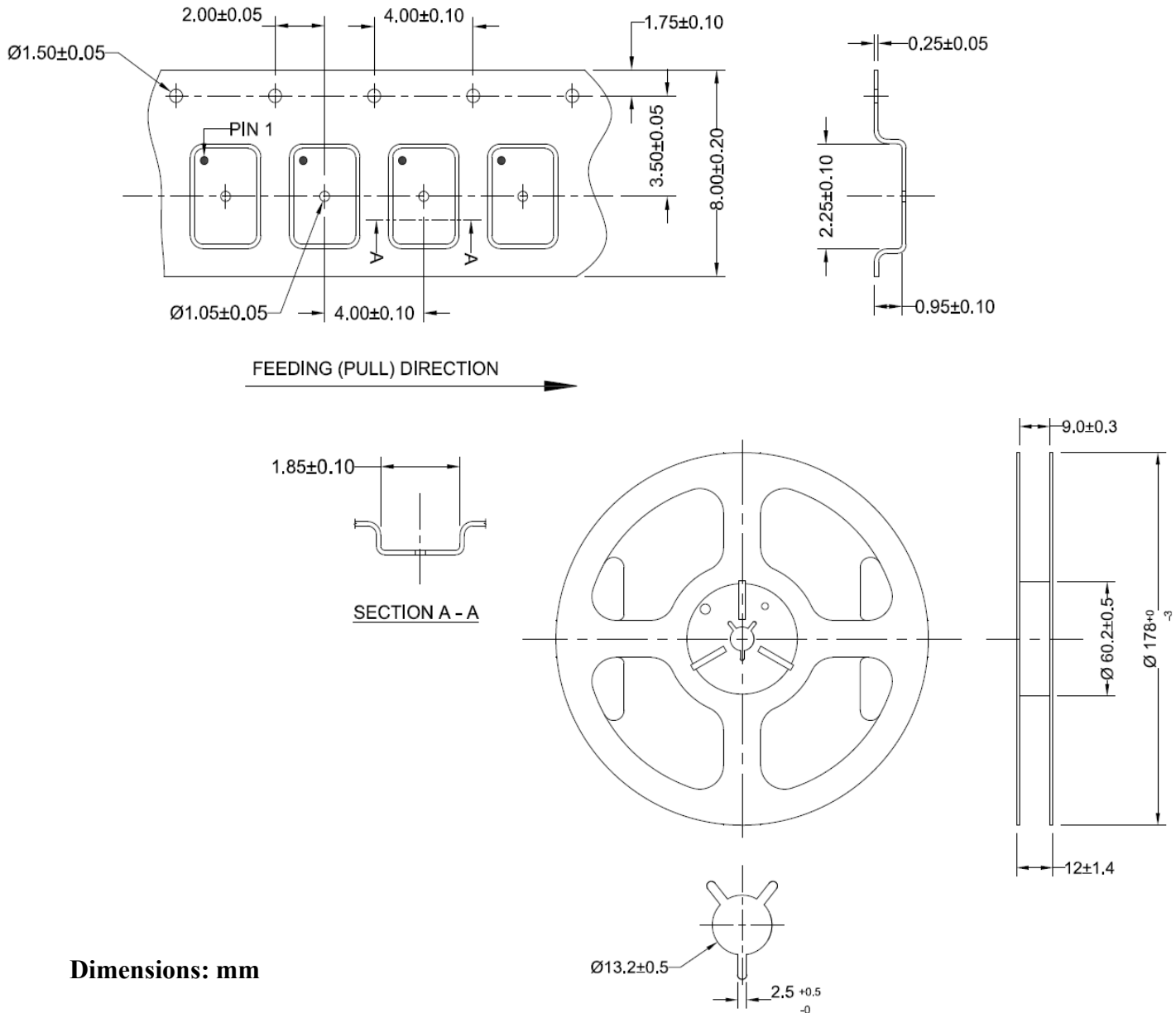
ESD Sensitive



2.0 x 1.6 x 0.8 mm
RoHS/RoHS II Compliant
 MSL Level = 1

Packaging

T: 1,000pcs/reel
T3: 3,000pcs/reel



Dimensions: mm

ATTENTION: Abracon LLC's products are COTS – Commercial-Off-The-Shelf products; suitable for Commercial, Industrial and, where designated, Automotive Applications. Abracon's products are not specifically designed for Military, Aviation, Aerospace, Life-dependent Medical applications or any application requiring high reliability where component failure could result in loss of life and/or property. For applications requiring high reliability and/or presenting an extreme operating environment, written consent and authorization from Abracon LLC is required. Please contact Abracon LLC for more information.



5101 Hidden Creek Ln Spicewood TX 78669
 Phone: 512-371-6159 | Fax: 512-351-8858
 For terms and conditions of sales, please visit:
www.abracon.com

REVISED: 11-11-20

ABRACON IS
 ISO9001-2015
 CERTIFIED

X-ON Electronics

Largest Supplier of Electrical and Electronic Components

Click to view similar products for [TCXO Oscillators](#) category:

Click to view products by [Abracon](#) manufacturer:

Other Similar products are found below :

[SiT5000AI-3D-33E0-10.000000X](#) [FOX923CH-19.20M](#) [TG-5006CG-12H 26.0000M3](#) [THD3031035LK280005-10.0M](#) [SIT5000ACC8E-33VQ-19.200000X](#) [SiT5001AI-2E-33N0-48.000000X](#) [TG3225CEN 25.0000M-KFGNNAB](#) [TG2016SMN 38.4000M-MCGNNM3](#) [TG2016SMN 48.0000M-MCGNNM3](#) [TG2016SMN 19.2000M-ECGNNM3](#) [TG2016SMN 26.0000M-ECGNNM3](#) [SIT1566AC-JV-18E-32.768E](#) [AST3TDATAACJ5-10.0000MHz](#) [AST3TDATAACJ5-20.0000MHz](#) [AST3TDA53TACJ2-19.2000MHz](#) [AST3TDA53TACJ2-38.8800MHz](#) [AST3TDATAACJ5-19.2000MHz](#) [AST3TDATAACJ5-38.8800MHz](#) [SiT5155AI-FK-33E0-10.000000F](#) [NT0503CC3I287EN10](#) [NT0503CH3I287CN25](#) [NT0503CH3I287CN30.72](#) [NT0503CC3I287DN20](#) [TG-3541CE 32.7680KXB0](#) [ECS-TXO-2016MV-320-TR](#) [TG2520SMN 38.4000M-MCGNNM3](#) [ECS-TXO-2016MV-120-TR](#) [CVT32-10.000](#) [KT7050A10000KAW33TAD](#) [LFTCXO063716BULK](#) [7Z-26.000MDG-T](#) [7Z-26.000MBG-T](#) [LFTCXO075797](#) [SIT5356AI-FQ-33E0-25.000000X](#) [SIT5356AI-FQ-33VT-10.000000X](#) [SIT5356AI-FQ-33VT-20.000000X](#) [SIT5357AI-FQ-33N0-100.000000X](#) [DS32KHZSN+T&R](#) [LFPTXO000316Bulk](#) [SiT5000AICGE-33E0-25.000000X](#) [SiT1568AI-JE-DCC-32.768E](#) [SiT1552AC-JE-DCC-32.768D](#) [LFPTXO000068Bulk](#) [LFPTXO000244Bulk](#) [LFPTXO000291Bulk](#) [LFPTXO000268Bulk](#) [ABDFTCXO-20.000MHz-L-2-CT](#) [LFTCXO077226Cutt](#) [LFTCXO077227Cutt](#) [LFTCXO077231Cutt](#)