

# 32.768kHz TCXO

**ATXK-H11**

Request Samples



Check Inventory



ESD Sensitive



**3.28 x 2.58 x 1.36 mm**  
**RoHS/RoHS II Compliant**  
**MSL Level = 1**

## Features

- Frequency Stability options:  $\pm 3.8$ ppm over -10 to +60°C,  $\pm 5.0$ ppm over -40 to +85°C, &  $\pm 8.0$ ppm over -40 to +105°C
- Output waveform CMOS
- Low power consumption
- Supply Voltage options: 3.3V and 2.5V

## Applications

- Frequency reference for real time clocks (RTCs)
- Portable & wearable electronics
- Internet of Things (IoT)
- Consumer electronics
- Timing synchronization for networks, servers, hubs, routers & switches

## Electrical Specifications [Note 1]

Parameters	Min.	Typ.	Max.	Units	Notes
Frequency (fc)		32.768		kHz	
Operating Temperature Range	-40		+105	°C	<i>See Options</i>
Storage Temperature Range	-55		+105	°C	
<b>Frequency Stability <math>\Delta f/f_0</math> vs:</b>					
<b>Tolerance</b>	-2.5		+2.5	ppm	Reference to fc (at 25°C $\pm$ 2°C), Pre-reflow
<b>Tolerance</b>	-3.0		+3.0		Reference to fc (at 25°C $\pm$ 2°C), 24 hours after reflow, one time
<b>Temperature</b>	-5.0		+5.0		<i>See Options</i> Reference to frequency tolerance reading (fo) at 25°C $\pm$ 2°C
<b>Load Change</b>	-0.2		+0.2		Load $\pm$ 10%
<b>Supply Voltage Change</b>	-1.0		+1.0	ppm/V	
<b>Aging</b>	-3.0		+3.0	ppm	First year at +25°C $\pm$ 2°C
Timing error over time ( $\pm 5$ ppm over -40°C to +85°C)	$\pm 0.432$ sec/day; $\pm 12.960$ sec/month; $\pm 2.628$ minutes/year				Reference to frequency tolerance reading (fo) at 25°C $\pm$ 2°C
Supply Voltage (V <sub>DD</sub> )	+3.135	+3.3	+3.465	V	Option E
	+2.375	+2.5	+2.625		Option C
Supply Current (I <sub>DD</sub> )		1.0	2.0	μA	Without load
Disable Current			1.0	μA	Pad 1 logic low
Start-up Time			0.5	sec	
Rise and Fall Time (Tr/Tf)			100	ns	20% to 80% of waveform, 15pF Load
Symmetry @ 1/2 V <sub>DD</sub>	40		60	%	
Output Voltage	V <sub>OH</sub>	90%V <sub>DD</sub>		V	
	V <sub>OL</sub>	10%V <sub>DD</sub>			
Output Load			15	pF	CMOS
Output Waveform	CMOS				
Tri-state function <small>[Note 2]</small>	“1” (VIH $\geq$ 0.8*VDD): Oscillation; “0” (VIL<0.2*VDD): No Oscillation/Hi Z			V	

**Note 1:** All measurements made over specified operating temperature range, at nominal V<sub>DD</sub>, and 15pf load, unless otherwise specified.

**Note 2:** Do not leave pad 1 (tri-state) floating (no connect). Pad 1 must be tied to Vdd (logic 1) for proper oscillation on pad 3.

# 32.768kHz TCXO

**ATXK-H11**

Request Samples



Check Inventory



ESD Sensitive



3.28 x 2.58 x 1.36 mm  
**RoHS/RoHS II Compliant**  
 MSL Level = 1

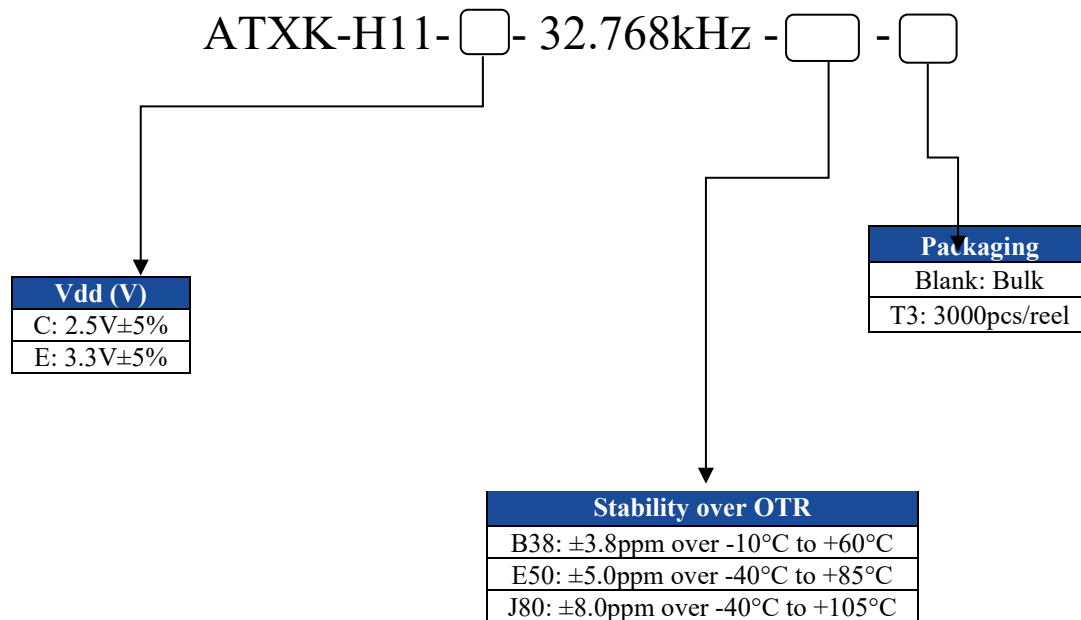
## Absolute Maximum Ratings

Parameters	Symbol	Conditions	Rating	Unit
Supply voltage range (3)	V <sub>DD</sub>	Between V <sub>DD</sub> and V <sub>SS</sub>	-0.3 to +4.5	V
Input voltage range (3)	V <sub>IN</sub>	Between INH and V <sub>SS</sub>	-0.3 to V <sub>DD</sub> +0.3 (4)	V
Output voltage range (3)	V <sub>OUT</sub>	Output pad	-0.3 to V <sub>DD</sub> +0.3 (4)	V
Junction temperature (3)	T <sub>j</sub>	-	150	°C
Storage temperature range	T <sub>STG</sub>	-	-55 to +105	°C

**Note 3:** Absolute maximum ratings are the values that must not be exceeded. This product may suffer damage if any one of these parameter ratings is exceeded. Operation and characteristics are guaranteed only when the product is operated per the specification datasheet.

**Note 4:** V<sub>DD</sub> is a V<sub>DD</sub> value of recommended operating conditions.

## Part Identification



# 32.768kHz TCXO

**ATXK-H11**

Request Samples



Check Inventory

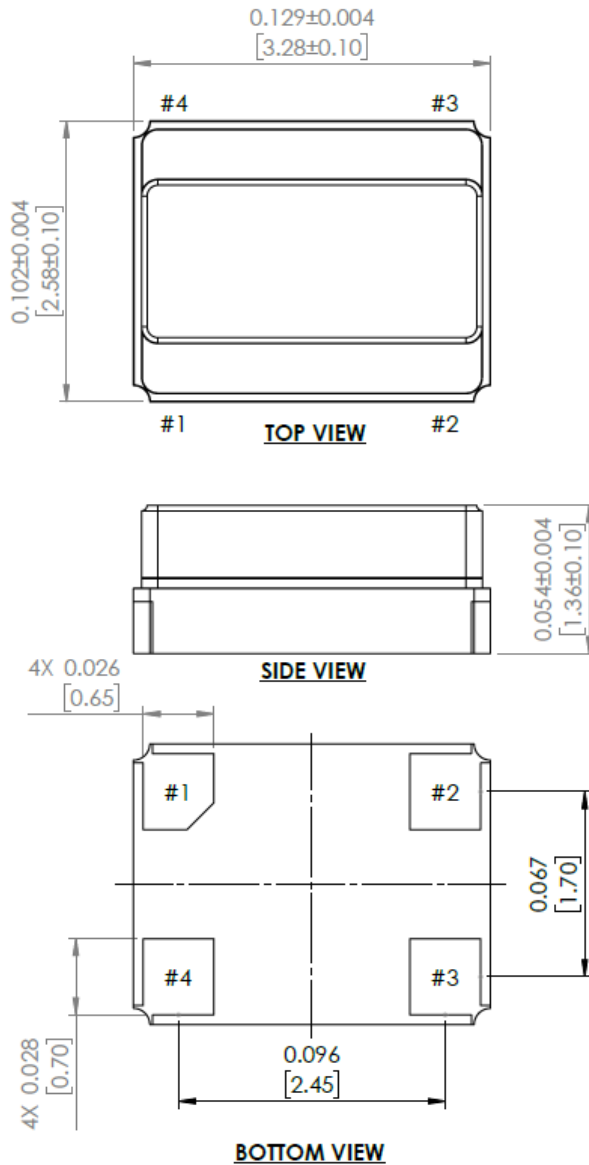


ESD Sensitive

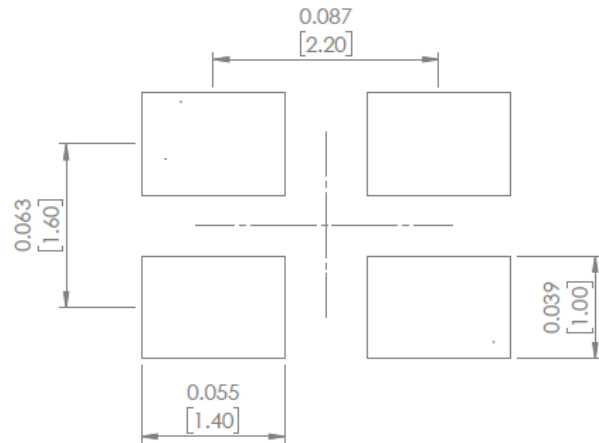


3.28 x 2.58 x 1.36 mm  
**RoHS/RoHS II Compliant**  
 MSL Level = 1

## Mechanical Dimensions



### Recommended Land Pattern



Pin #	Function
1	Output Enable
2	GND
3	Output
4	V <sub>DD</sub>

**Dimensions: inches (mm)**

# 32.768kHz TCXO

ATXK-H11

Request Samples



Check Inventory



ESD Sensitive



3.28 x 2.58 x 1.36 mm  
RoHS/RoHS II Compliant  
MSL Level = 1

## Reflow Profile [JDEC J-STD-020]

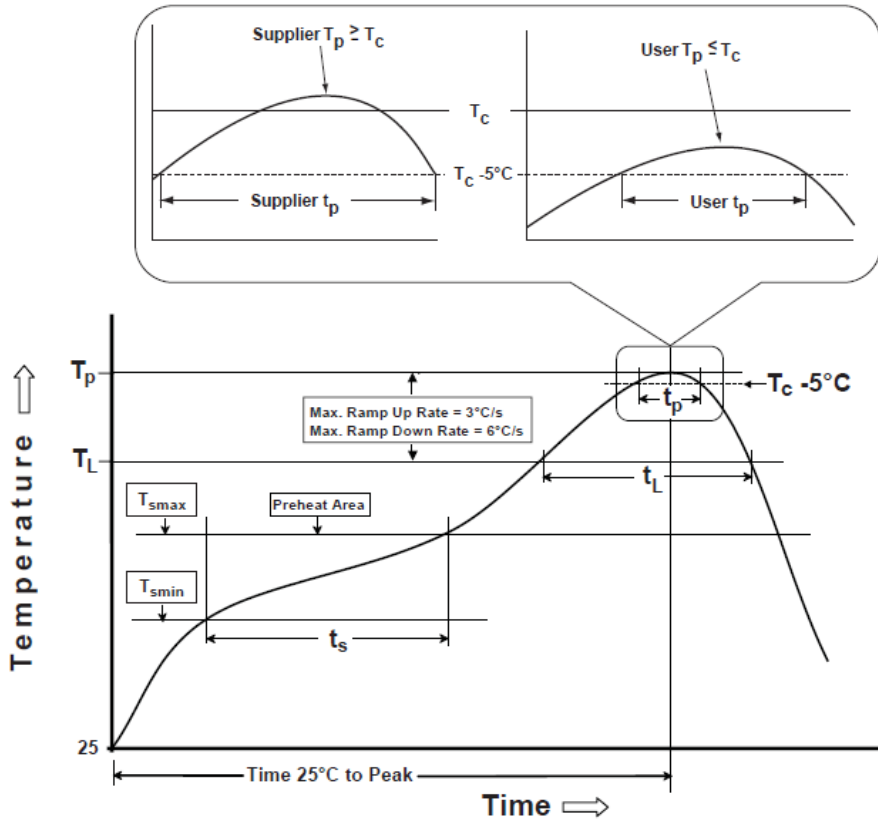


Table 1

SnPb Eutectic Process Classification Temperatures ( $T_c$ )		
Package Thickness	Volume $mm^3$ <350	Volume $mm^3$ $\geq$ 350
<2.5 mm	235 °C	220 °C
$\geq$ 2.5 mm	220 °C	220 °C

Table 2

Pb-Free Process Classification Temperatures ( $T_c$ )			
Package Thickness	Volume $mm^3$ <350	Volume $mm^3$ 350-2000	Volume $mm^3$ >2000
<1.6 mm	260 °C	260 °C	260 °C
1.6 mm - 2.5 mm	260 °C	250 °C	245 °C
>2.5 mm	250 °C	245 °C	245 °C

Profile Feature	Sn-Pb Eutectic Assembly	Pb-Free Assembly
Preheat / soak		
Temperature minimum ( $T_{smin}$ )	100°C	150°C
Temperature maximum ( $T_{smax}$ )	150°C	200°C
Time ( $T_{smin}$ to $T_{smax}$ ) ( $t_s$ )	60 - 120 sec.	60 - 120 sec.
Average ramp-up rate ( $T_{smax}$ to $T_p$ )	3°C/sec. max	3°C/sec. max
Liquidous temperature ( $T_L$ )	183°C	217°C
Time at liquidous ( $t_L$ )	60 - 150 sec.	60 - 150 sec.
Peak package body temperature ( $T_p$ )*	<i>see Table 1</i>	<i>see Table 2</i>
Time ( $t_p$ )** within 5°C of the specified classification temperature ( $T_c$ )	20 sec.	30 sec.
Ramp-down rate ( $T_p$ to $T_{smax}$ )	6°C/sec. max	6°C/sec. max
Time 25°C to peak temperature	6 min. max	8 min. max

\*Tolerance for peak profile temperature ( $T_p$ ) is defined as a supplier minimum and a user maximum.

\*\*Tolerance for time at peak profile temperature ( $t_p$ ) is defined as a supplier minimum and a user maximum.



5101 Hidden Creek Ln Spicewood TX 78669  
Phone: 512-371-6159 | Fax: 512-351-8858  
For terms and conditions of sales, please visit:  
www.abracon.com

REVISED: 02-14-23

ABRACON IS  
ISO9001-2015  
CERTIFIED

# 32.768kHz TCXO

ATXK-H11

Request Samples



Check Inventory



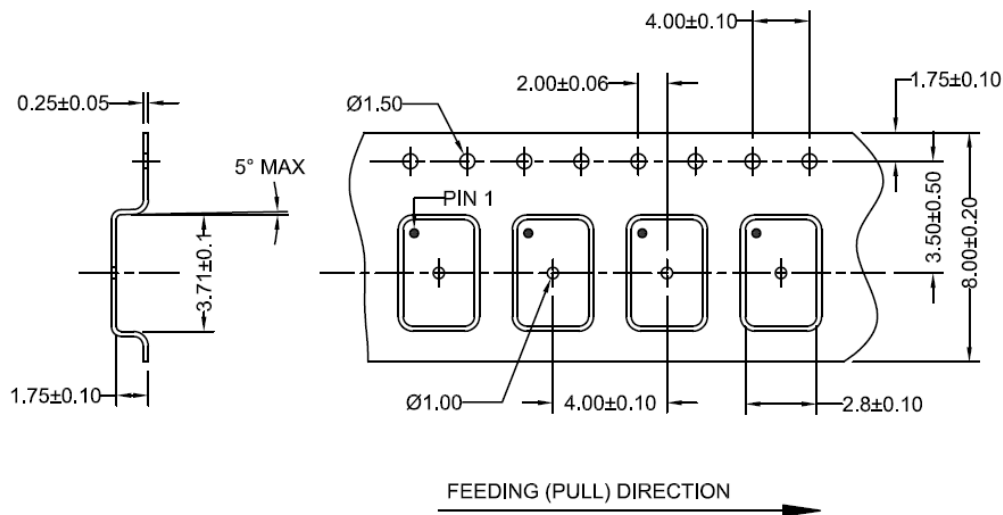
ESD Sensitive



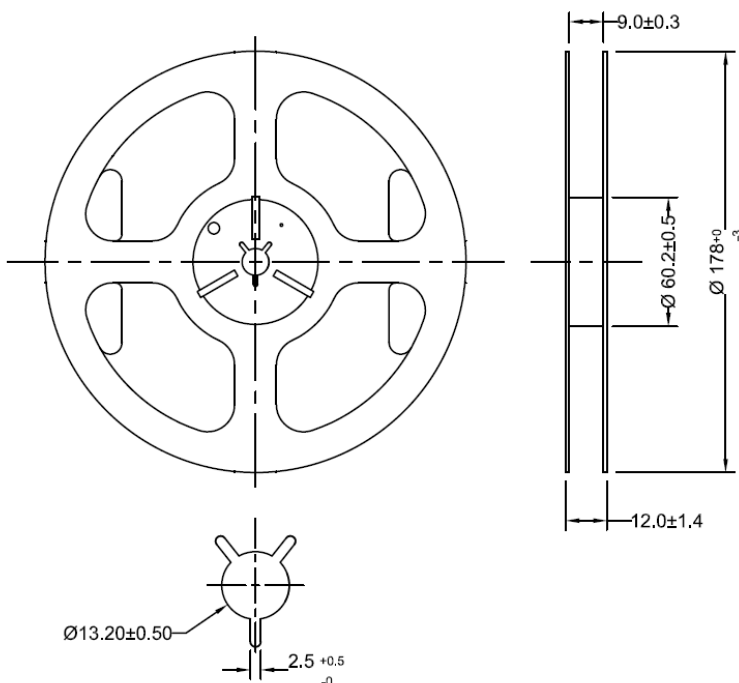
3.28 x 2.58 x 1.36 mm  
RoHS/RoHS II Compliant  
MSL Level = 1

## Packaging

T3: 3,000pcs/reel



I



Dimensions: mm

**ATTENTION:** Abracon LLC's products are COTS – Commercial-Off-The-Shelf products; suitable for Commercial, Industrial and, where designated, Automotive Applications. Abracon's products are not specifically designed for Military, Aviation, Aerospace, Life-dependent Medical applications or any application requiring high reliability where component failure could result in loss of life and/or property. For applications requiring high reliability and/or presenting an extreme operating environment, written consent and authorization from Abracon LLC is required. Please contact Abracon LLC for more information.



5101 Hidden Creek Ln Spicewood TX 78669  
Phone: 512-371-6159 | Fax: 512-351-8858  
For terms and conditions of sales, please visit:  
[www.abracon.com](http://www.abracon.com)

REVISED: 02-14-23

ABRACON IS  
ISO9001-2015  
CERTIFIED

## X-ON Electronics

Largest Supplier of Electrical and Electronic Components

*Click to view similar products for [TCXO Oscillators](#) category:*

*Click to view products by [Abracon](#) manufacturer:*

Other Similar products are found below :

[SIT5000ACC8E-33VQ-19.200000X](#) [SiT5001AI-2E-33N0-48.000000X](#) [TG3225CEN 25.0000M-KFGNNAB](#) [SIT5001AI-2E-33N0-24.000000x](#)  
[SIT1566AC-JV-18E-32.768E](#) [AST3TDATACJ5-10.0000MHz](#) [AST3TDATACJ5-20.0000MHz](#) [AST3TDA53TACJ2-19.2000MHz](#)  
[AST3TDA53TACJ2-38.8800MHz](#) [AST3TDATACJ5-38.8800MHz](#) [NT0503CC3I287EN10](#) [NT0503CH3I287CN25](#) [NT0503CH3I287CN30.72](#)  
[NT0503CC3I287DN20](#) [TG-3541CE 32.7680KXB0](#) [KT1612A26000AAW18TBL](#) [KT1612A26000AAW18NBL](#) [TG-5006CG-12H 26.0000M0](#)  
[TG2520SMN 38.4000M-MCGNNM3](#) [X1G004131000900](#) [X1G0041310042](#) [1XXC26000PKA](#) [X1G005441030316](#) [X1G005441020616](#)  
[X1G005441030416](#) [X1G005421020416](#) [X1G005441020316](#) [7L26002007](#) [1XTV12800MDA](#) [X1G005421031215](#) [X1G005421020516](#)  
[SX1T19.200B010J020S](#) [T132S4-25000ML33DTL](#) [X1G0053710200](#) [NT0503CH3I287EN10](#) [8153H-50.000LH33DTL](#) [NT0503EH3I106EN10](#)  
[NT0507BH3I107BN40](#) [NT0503CH3I207EN10](#) [NT0507BH3I507EA10](#) [NT0507BH3I106EA10](#) [BT0507BC3I287CN38.4B](#)  
[NT0507BH3I106BA50](#) [NT0503CH3I507CN24.576](#) [OW2EL89CENUXFMYLC-16M](#) [OW2EL89CENUXFMYLC-32M](#)  
[OW2EL89CENUXFMYLC-24M](#) [OW7EL89CENUYO3YLC-24M](#) [OW3EL89CENUNFAYLC-26M](#) [OW7EL89CENUYO3YLC-20M](#)