

# HORIZONTALLY ASSEMBLED POWER INDUCTOR



AVR-1F070608S

Request Samples



Check Inventory



7.2 x 6.5 x 8.2mm  
RoHS/RoHS II Compliant  
MSL Level = 1

## Features

- Ferrite Core
- Low DCR, High Efficiency
- High temperature current rating
- High saturation current rating

## Applications

- Single and Multiphase DC-DC converters
- Voltage regulator modules (VRMs)
- Renewable energy, Power inverters, DC links
- Electric Vehicles (EVs)
- Telecom infrastructure, datacenters, servers and switches
- Industrial and robotics equipment
- Medium and high-power switch mode power supplies (SMPS)

## Electrical Specifications @ 25°C

Part Number*	Inductance	Inductance Tolerance	DC Resistance	Saturation Current		Temperature Rise Current
	100KHz/0.25V			Typ.		Typ.
Units	nH	%	mΩ	A		A
Symbol	L	M	DCR	Isat1@ 25°C	Isat2@ 100°C	Irms
AVR-1F070608S55NMT	55	20%	0.2 ± 7%	110	100	63
AVR-1F070608S70NMT	70			92	78	
AVR-1F070608SR10MT	100			65	55	
AVR-1F070608SR12MT	120			54	46	

\* The "T" at the end of the part numbers refers to "Tape & Reel" packaging. For other options, please refer to the Part Identification section.

### Test Conditions:

**Isat1:** DC current at which the inductance drops 30% from its nominal value at 25°C.

**Isat2:** DC current at which the inductance drops 30% from its nominal value at 100°C.

**Irms:** DC current that causes the temperature rise ( $\Delta T$ , approximate 40 °C) from 25°C ambient.

**Operating Temperature:** -40°C ~ +125°C. (including self-temperature rise)

**Storage Condition:** -40°C ~ +125°C (on board), -10°C ~ +40°C (with packaging) and R.H. 70 max.

AVR-1F070608S Series is **RoHS Compliant and Pb free.**



5101 Hidden Creek Ln, Spicewood TX 78669  
Phone: 512-371-6159 Fax: 512-351-8858  
For terms and conditions of sales, please visit:  
www.abracon.com

REVISION Initial Release :  
6/20/2024

ABRACON IS  
ISO9001-2015  
CERTIFIED

# HORIZONTALLY ASSEMBLED POWER INDUCTOR



**AVR-1F070608S**

Request Samples

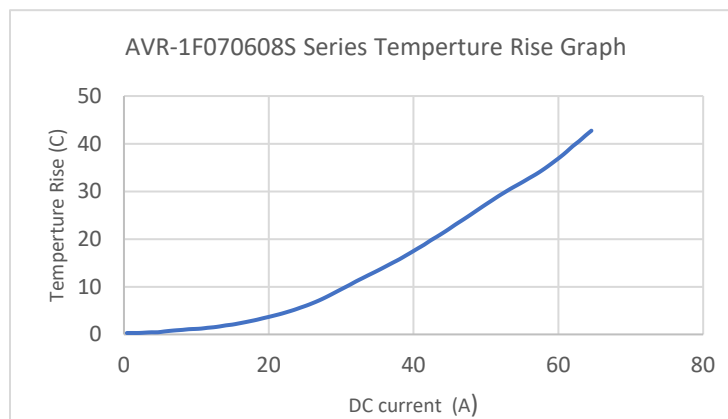
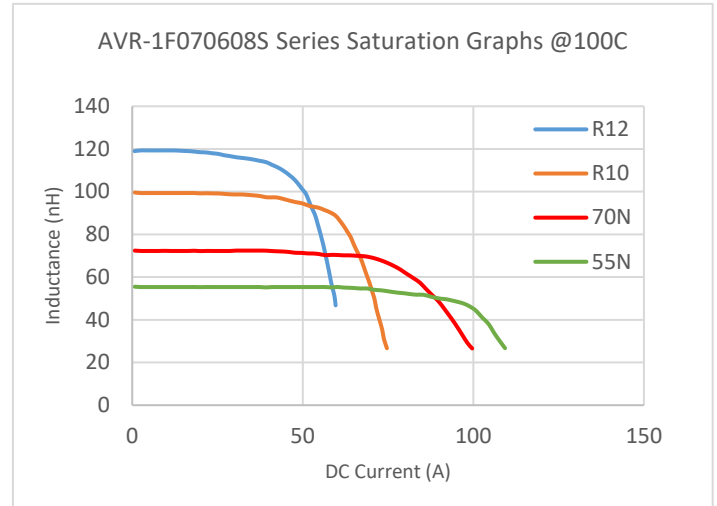
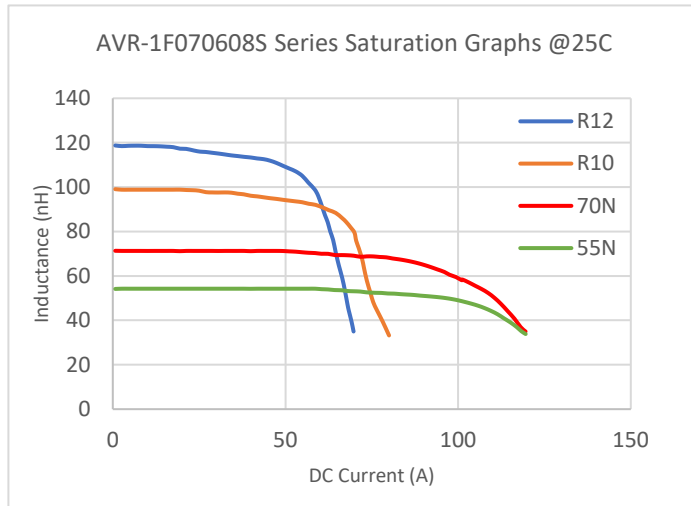


Check Inventory



7.2 x 6.5 x 8.2mm  
**RoHS/RoHS II Compliant**  
 MSL Level = 1

## Performance Graphs



## Part Identification

AVR-1F070608S



**Inductance Code**  
 See Electrical Specification table

**Tolerance**  
 M = ±20%

**Packaging Options**  
 T: Tape and Reel (See Packaging)  
 B: Bulk

\*Tolerance only available as indicated in electrical spec. table



5101 Hidden Creek Ln, Spicewood TX 78669  
 Phone: 512-371-6159 Fax: 512-351-8858  
 For terms and conditions of sales, please visit:  
[www.abracon.com](http://www.abracon.com)

**REVISION Initial Release :**  
 6/20/2024

ABRACON IS  
 ISO9001-2015  
 CERTIFIED

# HORIZONTALLY ASSEMBLED POWER INDUCTOR



AVR-1F070608S

Request Samples

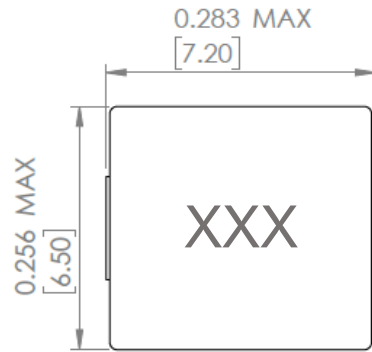


Check Inventory

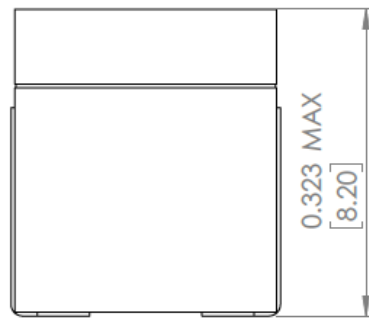
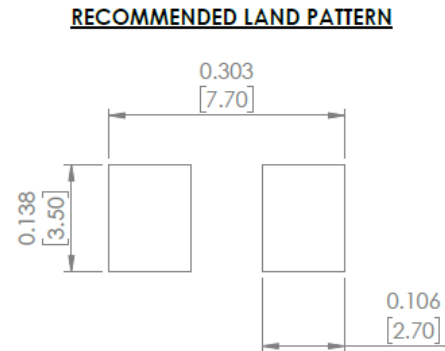


7.2 x 6.5 x 8.2mm  
RoHS/RoHS II Compliant  
MSL Level = 1

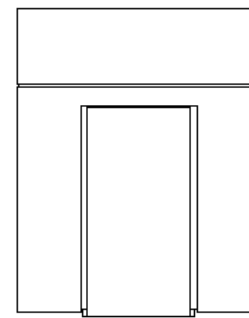
## Mechanical Specifications



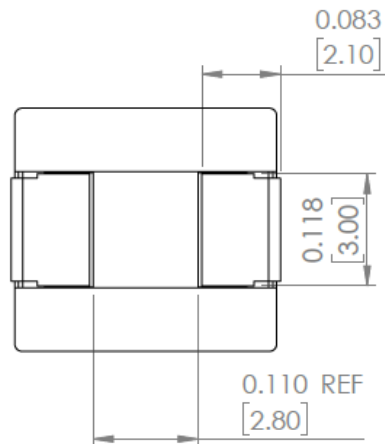
**TOP VIEW**



**FRONT VIEW**



**SIDE VIEW**



**BOTTOM VIEW**

**Markings:** Inductance code.

**Dimensions:** Inches[mm]



5101 Hidden Creek Ln, Spicewood TX 78669  
Phone: 512-371-6159 Fax: 512-351-8858  
For terms and conditions of sales, please visit:  
[www.abracon.com](http://www.abracon.com)

**REVISION Initial Release :**  
6/20/2024

ABRACON IS  
ISO9001-2015  
CERTIFIED

# HORIZONTALLY ASSEMBLED POWER INDUCTOR



AVR-1F070608S

Request Samples

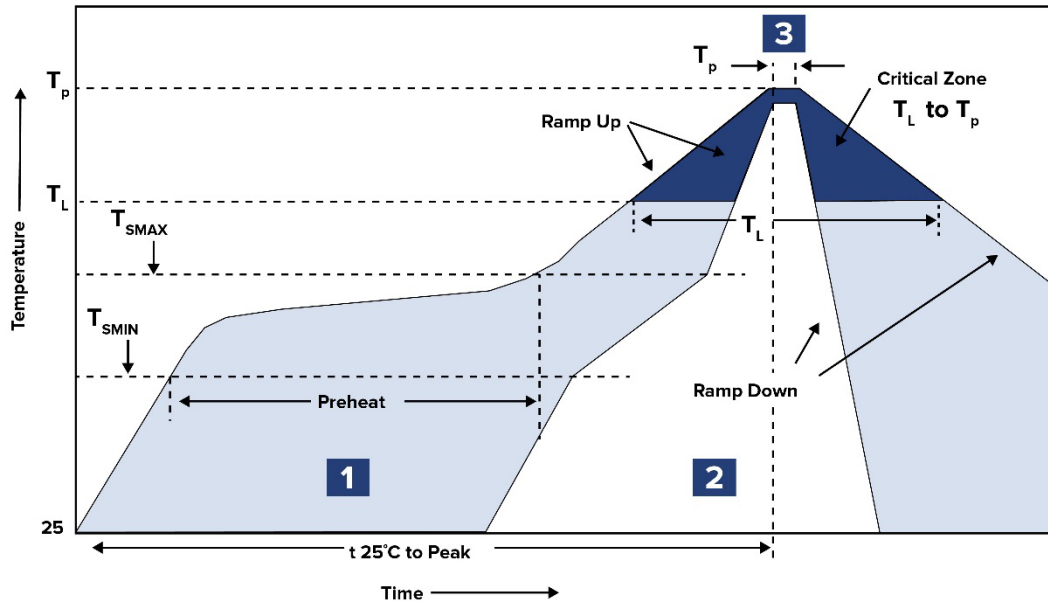


Check Inventory



7.2 x 6.5 x 8.2mm  
RoHS/RoHS II Compliant  
MSL Level = 1

## Reflow Profile



Zone	Description	Temperature	Times
1	Preheat	$T_{SMIN} \sim T_{SMAX}$ 150°C ~ 180°C	60 ~ 180 sec.
2	Reflow	$T_L$ 217°C	60 ~ 150 sec.
3	Peak heat	$T_p$ 255°C ± 5°C	5 ± 0.5 sec.

Ref. Solder paste: Sn/3.0Ag/0.5Cu

Ramp up rate: 3°C/s Max.

Ramp down rate: 6°C/s Max.



5101 Hidden Creek Ln, Spicewood TX 78669  
Phone: 512-371-6159 Fax: 512-351-8858  
For terms and conditions of sales, please visit:  
[www.abracon.com](http://www.abracon.com)

REVISION Initial Release :  
6/20/2024

ABRACON IS  
ISO9001-2015  
CERTIFIED

# HORIZONTALLY ASSEMBLED POWER INDUCTOR



**AVR-1F070608S**

Request Samples



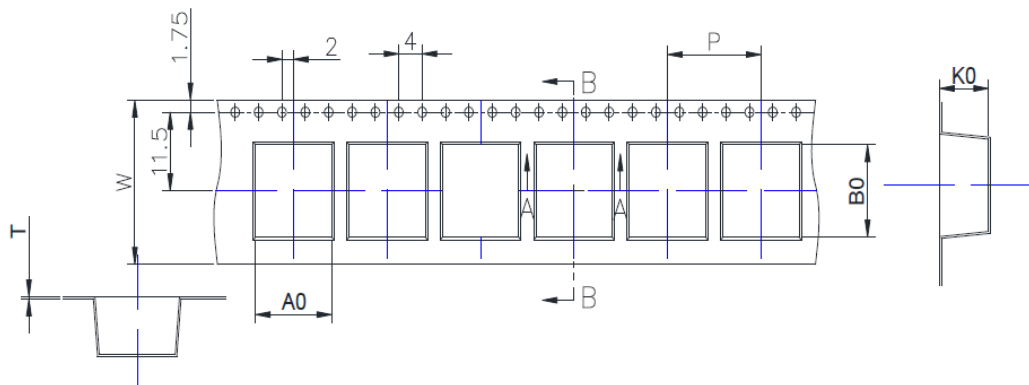
Check Inventory



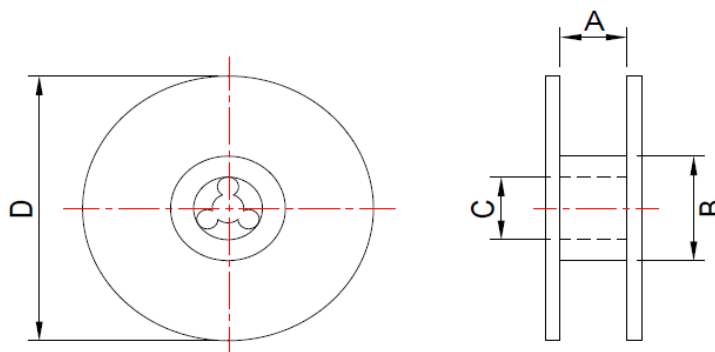
7.2 x 6.5 x 8.2mm  
**RoHS/RoHS II Compliant**  
 MSL Level = 1

## Packaging

**Tape & Reel: 500 pcs/reel**



Ao	Bo	Ko	P	T	W
6.7 ± 0.1	7.4 ± 0.1	8.2 ± 0.1	12.0 ± 0.1	0.4 ± 0.05	24.0 ± 0.3



A	B	C	D
24.0 ± 0.5	100 ± 2.0	13.5 ± 0.5	330 Ref.

**Dimensions: mm**

**ATTENTION:** Abracon LLC's products are COTS – Commercial-Off-The-Shelf products; suitable for Commercial, Industrial and, where designated, Automotive Applications. Abracon's products are not specifically designed for Military, Aviation, Aerospace, Life-dependent Medical applications or any application requiring high reliability where component failure could result in loss of life and/or property. For applications requiring high reliability and/or presenting an extreme operating environment, written consent and authorization from Abracon LLC is required. Please contact Abracon LLC for more information.



5101 Hidden Creek Ln, Spicewood TX 78669  
 Phone: 512-371-6159 Fax: 512-351-8858  
 For terms and conditions of sales, please visit:  
[www.abracon.com](http://www.abracon.com)

**REVISION Initial Release :**  
 6/20/2024

ABRACON IS  
 ISO9001-2015  
 CERTIFIED

## X-ON Electronics

Largest Supplier of Electrical and Electronic Components

*Click to view similar products for [Power Inductors - SMD category](#):*

*Click to view products by [Abracon manufacturer](#):*

Other Similar products are found below :

[0320CDMCCDS-2R2MC](#) [0402DF-101XJRW](#) [0402DF-102XJRW](#) [0402DF-141XJRW](#) [0402DF-421XJRW](#) [0402DF-560XJRW](#) [0402DF-591XJRW](#) [0402DF-901XJRW](#) [0412CDMCCDS-R10MC](#) [0412CDMCCDS-R12MC](#) [0412CDMCCDS-R15MC](#) [0412CDMCCDS-R22MC](#) [0415CDMCCDS-R33MC](#) [0420CDMCCDS-1R2MC](#) [0420CDMCCDS-R56MC](#) [0518CDMCCDS-R10MC](#) [0518CDMCCDS-R12MC](#) [0518CDMCCDS-R15MC](#) [0518CDMCCDS-R22MC](#) [0518CDMCCDS-R68MC](#) [0530CDMCCDS-5R6MC](#) [0530CDMCCDS-R10MC](#) [0530CDMCCDS-R33MC](#) [0618CDMCCDS-8R2MC](#) [0618CDMCCDS-R10MC](#) [0618CDMCCDS-R12MC](#) [0618CDMCCDS-R15MC](#) [0618CDMCCDS-R22MC](#) [0624CDMCCDS-3R3MC](#) [0624CDMCCDS-R08MC](#) [0624CDMCCDS-R10MC](#) [0624CDMCCDS-R12MC](#) [0624CDMCCDS-R15MC](#) [0630CDMCCDS-330MC](#) [0630CDMCCDS-R10MC](#) [0630CDMCCDS-R15MC](#) [0630CDMCCDS-R22MC](#) [0630CDMCDDS-100MC](#) [0630CDMCDDS-R15MC](#) [0630CDMCDDS-R20MC](#) [0830CDMCCDS-R82MC](#) [201610CDMCDDS-1R0MC](#) [201610CDMCDDS-R24MC](#) [201610CDMCDDS-R47MC](#) [201610CDMCDDS-R68MC](#) [252010CDMCDDS-R47MC](#) [30900DC](#) [3627322515100K](#) [36273225151R5N](#) [3627322515330K](#)