

VERTICALLY ASSEMBLED POWER INDUCTOR



AVR-1Z090610S

Request Samples



Check Inventory



9.4 x 6.2 x 10.1mm
RoHS/RoHS II Compliant
 MSL Level = 1

Features

- Ferrite Core
- Low DCR, High Efficiency
- High temperature current rating
- High Saturation current rating

Applications

- Single and Multiphase DC-DC converters
- Voltage regulator modules (VRMs)
- Renewable energy, Power inverters, DC links
- Electric Vehicles (EVs)
- Telecom infrastructure, datacenters, servers, and switches
- Industrial and robotics equipment
- Medium and high-power switch mode power supplies (SMPS)

Electrical Specifications @ 25°C

Part Number*	Inductance	Inductance Tolerance	Dim. B	DC Resistance	Saturation Current		Temperature Rise Current
	800KHz/0.1V		Typ.		Typ.		Typ.
Units	nH	%	mm	mΩ	A		A
Symbol	L	K	B	DCR	Isat1@ 25°C	Isat2@ 100°C	Irms
AVR-1Z090610S70NKT	70	10	6.2±0.4	0.12 Max. (0.10 Typ.)	145	126	84
AVR-1Z090610SR10KT	100				110	90	
AVR-1Z090610SR12KT	120		90		75		
AVR-1Z090610SR15KT	150		67		58		
AVR-1Z090610SR18KT	180		56		49		
AVR-1Z090610SR22KT	220		46		40		
AVR-1Z090610SR28KT	280		36		31		

* The "T" at the end of the part number refers to "Tape & Reel" packaging. For other options, please refer to the Part Identification section.

Test Conditions:

Isat1: DC current at which the inductance drops 20% from its nominal value at 25°C.

Isat2: DC current at which the inductance drops 20% from its nominal value at 100°C.

Irms: DC current that causes the temperature rise (ΔT , approximate 40 °C) from 25°C ambient.

Dim. B: Refer to the Mechanical Specs section

DC Resistance: Nominal DCR measured from point 'a' to 'b'. (refer to the Mechanical specs section)

Operating Temperature: -40°C ~ +125°C. (including self-temperature rise)

Storage Condition: -40°C ~ +125°C (on board), -10°C ~ +40°C (with packaging) and R.H. 70 max.

AVR-1Z090610S Series is **RoHS Compliant and Pb free.**



5101 Hidden Creek Ln, Spicewood TX 78669
 Phone: 512-371-6159 Fax: 512-351-8858
 For terms and conditions of sales, please visit:
www.abracon.com

REVISION Initial Release :
 6/10/2024

ABRACON IS
 ISO9001-2015
 CERTIFIED

VERTICALLY ASSEMBLED POWER INDUCTOR



AVR-1Z090610S

Request Samples

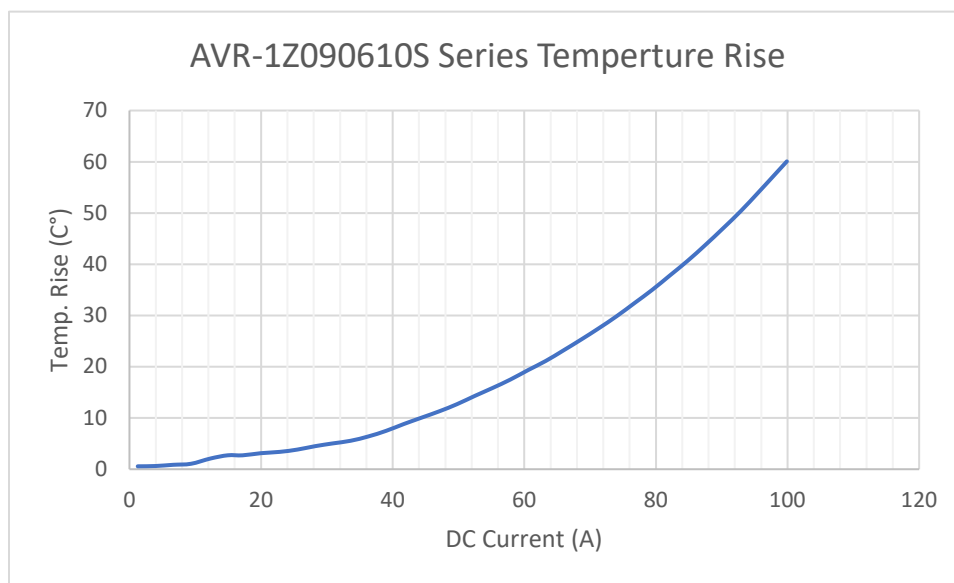
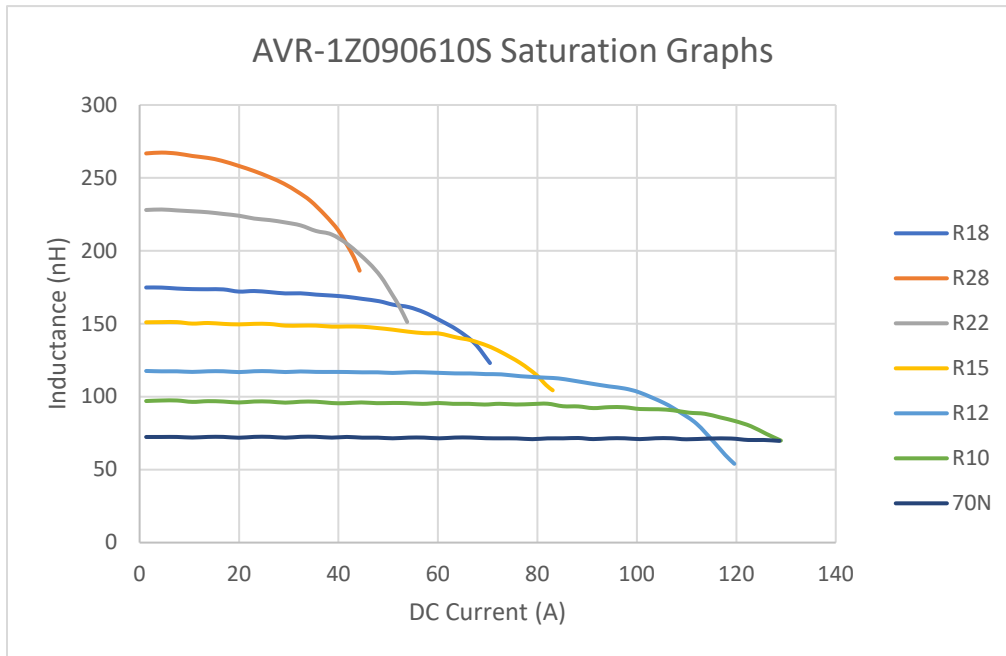


Check Inventory



9.4 x 6.2 x 10.1mm
RoHS/RoHS II Compliant
MSL Level = 1

Performance Graphs



VERTICALLY ASSEMBLED POWER INDUCTOR



AVR-1Z090610S

Request Samples



Check Inventory



9.4 x 6.2 x 10.1mm
RoHS/RoHS II Compliant
 MSL Level = 1

Part Identification

AVR-1Z090610S



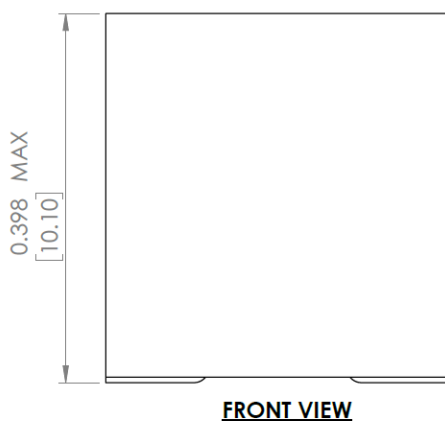
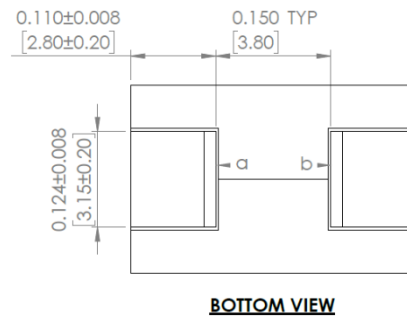
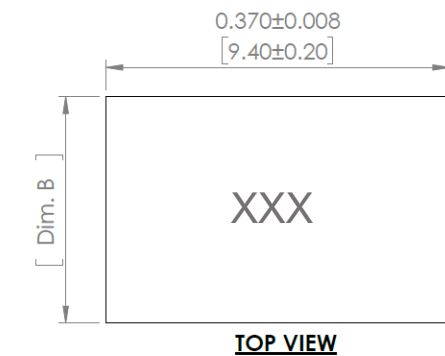
Inductance Code
 See Electrical Specification table

Tolerance
 K = ± 10%

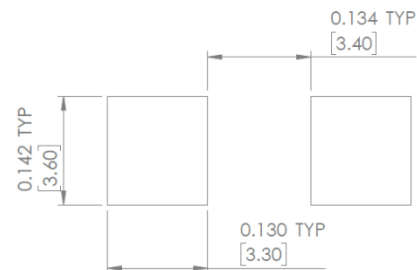
Packaging options
 T: Tape and Reel (See Packaging)
 B: Bulk

*Tolerance only available as indicated in electrical spec. table

Mechanical Specifications



RECOMMENDED LAND PATTERN



Refer to the Specification table for Dim B.

'a' and 'b': DCR measuring points.

Markings: Inductance code.

Dimensions: Inches [mm]



5101 Hidden Creek Ln, Spicewood TX 78669
 Phone: 512-371-6159 Fax: 512-351-8858
 For terms and conditions of sales, please visit:
www.abracon.com

REVISION Initial Release :
 6/10/2024

ABRACON IS
 ISO9001-2015
 CERTIFIED

VERTICALLY ASSEMBLED POWER INDUCTOR



AVR-1Z090610S

Request Samples

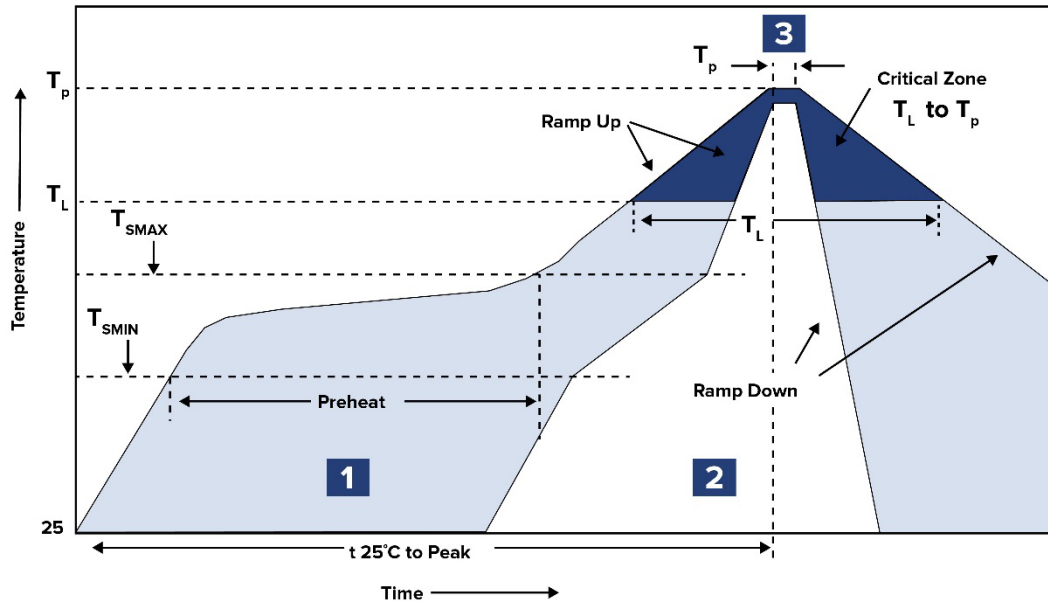


Check Inventory



9.4 x 6.2 x 10.1mm
RoHS/RoHS II Compliant
MSL Level = 1

Reflow Profile



Zone	Description	Temperature	Times
1	Preheat	$T_{SMIN} \sim T_{SMAX}$ 150°C ~ 200°C	60 ~ 120 sec.
2	Reflow	T_L 217°C	60 ~ 150 sec.
3	Peak heat	T_P 260°C Max	5 Sec. Max

Ref. Solder paste: Sn/3.0Ag/0.5Cu

Time from 25°C to peak: 8 Mins

Ramp up rate: 3°C/s Max.

Ramp down rate: 6°C/s Max.



5101 Hidden Creek Ln, Spicewood TX 78669
Phone: 512-371-6159 Fax: 512-351-8858
For terms and conditions of sales, please visit:
www.abracon.com

REVISION Initial Release :
6/10/2024

ABRACON IS
ISO9001-2015
CERTIFIED

VERTICALLY ASSEMBLED POWER INDUCTOR



AVR-1Z090610S

Request Samples



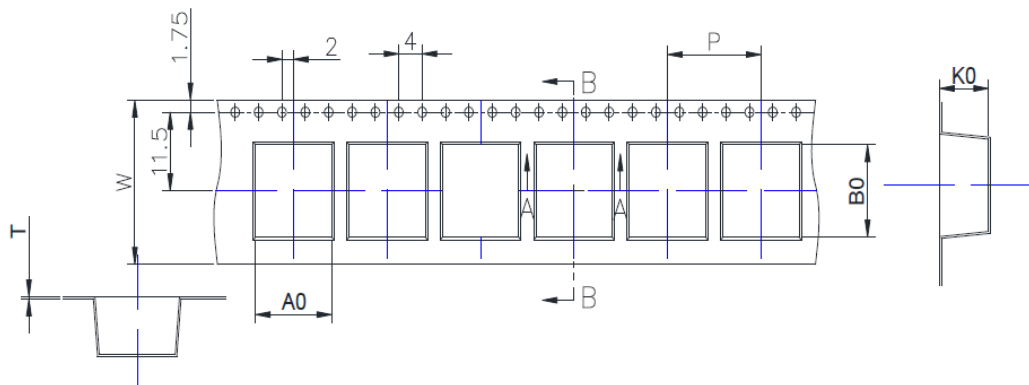
Check Inventory



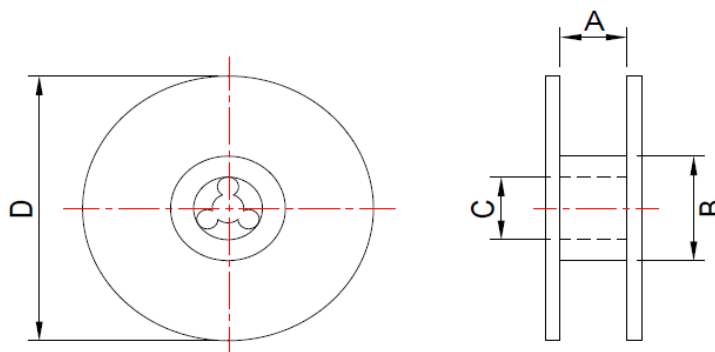
9.4 x 6.2 x 10.1mm
RoHS/RoHS II Compliant
MSL Level = 1

Packaging

Tape & Reel: 400 pcs/reel



Ao	Bo	Ko	P	T	W
6.6 ± 0.10	10.0 ± 0.10	10.3 ± 0.10	12.0 ± 0.10	0.5 ± 0.05	24.0 ± 0.30



A	B	C	D
24.5 ± 0.2	100 ± 2.0	13.0 ± 0.2	330 Ref.

Dimensions: mm

ATTENTION: Abracon LLC's products are COTS – Commercial-Off-The-Shelf products; suitable for Commercial, Industrial and, where designated, Automotive Applications. Abracon's products are not specifically designed for Military, Aviation, Aerospace, Life-dependent Medical applications or any application requiring high reliability where component failure could result in loss of life and/or property. For applications requiring high reliability and/or presenting an extreme operating environment, written consent and authorization from Abracon LLC is required. Please contact Abracon LLC for more information.



5101 Hidden Creek Ln, Spicewood TX 78669
 Phone: 512-371-6159 Fax: 512-351-8858
 For terms and conditions of sales, please visit:
www.abracon.com

REVISION Initial Release :
6/10/2024

ABRACON IS
 ISO9001-2015
 CERTIFIED

X-ON Electronics

Largest Supplier of Electrical and Electronic Components

Click to view similar products for [Power Inductors - SMD category](#):

Click to view products by [Abracon manufacturer](#):

Other Similar products are found below :

[SPD62R-472M](#) [LLQPB201214T1R0M](#) [LLXND3030QKT470MNG](#) [LLQPB160807T4R7M](#) [LLAPB2016KKTR33M](#)
[LBXND4040TKL330MDG](#) [LSQEA201212T100M](#) [PA4300.474NLT](#) [LVS505020-1R0T-N](#) [LVS505040-1R2T-N](#) [LVS606020-1R5M-N](#)
[LVS606028-6R8M-N](#) [LVS606045-102M-N](#) [LVS606045-150M-N](#) [LVS606045-1R8M-N](#) [LVS606045-6R8M-N](#) [LVS808040-2R0M-N](#)
[LVS808040-330M-N](#) [LVS808040-4R7M-N](#) [MHCI06030-R56M-R8](#) [SCD0403T-470M-N](#) [SCD0403T-6R8K-N](#) [SCD0504T-101M-N](#)
[SCD0504T-120M-N](#) [SCD0504T-221M-N](#) [SCD0504T-470M-N](#) [SCD0504T-471M-N](#) [SCD0705T-180M-N](#) [SCD0705T-221M-N](#) [SCD0705T-470M-N](#) [SCD1005T-101M-N](#) [SCD1005T-221M-N](#) [SCD1005T-470M-N](#) [SSL1306T-101M-N](#) [LQB15NNR27K10D](#) [201610CDMCDDS-R47MC](#) [201610CDMCDDS-1R0MC](#) [201610CDMCDDS-R68MC](#) [LSQPB201210T220M](#) [LBCNF2012KKTR24MA](#) [LSQEA201212T220K](#)
[LSENC2016KKT1R0M](#) [LSQNB160808T470M](#) [LSBHB1608KKT2R2MG](#) [LSQPB160807T2R2M](#) [LSQEA201212T101K](#) [DEM8045Z-5R6N=P3](#) [LCXND3030QKT4R7MNG](#) [LSQPA322525T6R8MR](#) [LCXNH8080YKL101MJG](#)