

ECN/PCN No.: M1243

For Manufacturer			
<b>Product Description:</b> Rx Wireless Charging Coil Assembly	<b>Abracon Part Number / Part Series:</b> AWCCA-37R37H18-C01-B	<input type="checkbox"/> Documentation only <input type="checkbox"/> ECN <input checked="" type="checkbox"/> EOL	<input type="checkbox"/> Series <input checked="" type="checkbox"/> Part Number
<b>Affected Revision:</b> Initial Release	<b>New Revision:</b> EOL	<b>Application:</b> <input type="checkbox"/> Safety <input checked="" type="checkbox"/> Non-Safety	
<b>Prior to Change:</b>  This is an EOL of AWCCA-37R37H18-C01-B device			
<b>After Change:</b>  			
<b>Cause/Reason for Change:</b> This device has been discontinued due to low volumes			
Change Plan			
<b>Effective Date:</b> 6/3/2021	<b>Additional Remarks:</b>		
<b>Change Declaration:</b> This is an EOL of AWCCA-37R37H18-C01-B device			
<b>Issued Date:</b> 6/3/2021	<b>Issued By:</b> Ahmed Alamin	<b>Issued Department:</b> Engineering	
<b>Approval:</b> Syed Raza Engineering VP	<b>Approval:</b> Reuben Quintanilla Quality Director	<b>Approval:</b> Ying Huang Purchasing Director	
For Abracon EOL only			
<b>Last Time Buy (if applicable):</b> N/A		<b>Alternate Part Number / Part Series:</b> N/A	
<b>Additional Approval:</b>	<b>Additional Approval:</b>	<b>Additional Approval:</b>	
Customer Approval (If Applicable)			
<b>Qualification Status:</b> <input type="checkbox"/> Approved <input type="checkbox"/> Not accepted <i>Note: It is considered approved if there is no feedback from the customer 1 month after ECN/PCN is released.</i>			
<b>Customer Part Number:</b>		<b>Customer Project:</b>	
<b>Company Name:</b>	<b>Company Representative:</b>	<b>Representative Signature:</b>	
<b>Customer Remarks:</b>			

- Wireless Charging Receiver Coil
- 10μH inductance
- Space saving 37mm x 37mm
- Low 1.8mm profile
- High permeability shielding to protect sensitive \ electronics
- Durable construction, industrial -25°C to 85°C operating temperature

- Batteries and Battery Chargers
- Consumer Electronics
- Wireless Charging Stations
- Mobile Phones & Charging AC
- Power Supplies
- Power Tool Manufacturers

## MAXIMUM RATINGS

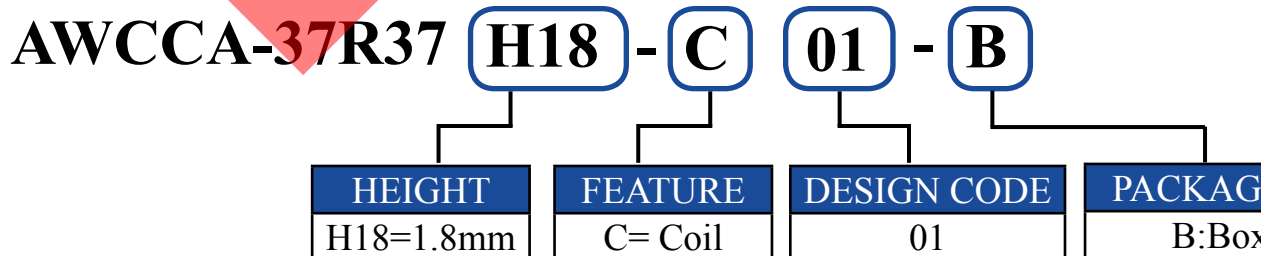
Item	Value
Operating Temperature Range	T=-25°C ~ 85°C, RH≤ 90%.
Storage Temperature Range	-25°C~85°C, 70%RH (Max.)

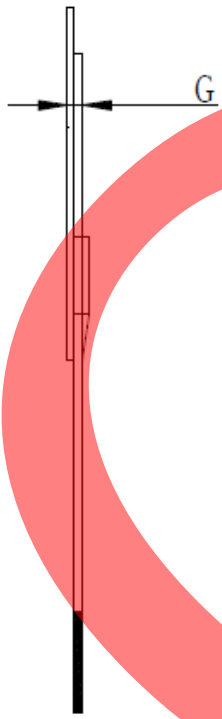
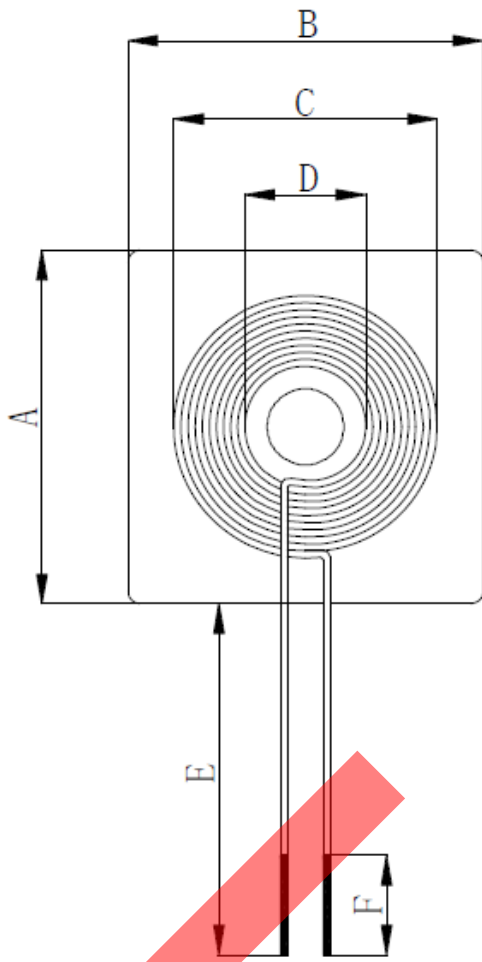
## ELECTRICAL SPECIFICATIONS

Part Number	Inductance	DC Resistance	
AWCCA-37R37H18-C01-B	10μH ±10%	160mΩ±20%	3
Test Condition	100KHz / 1V	20±10C	10
Test Equipment	Agilent E4980A or equivalent		
Test Environment	Temperature: 20±10°C, RH: 65% ±20%		

**Test Conditions:** Ambient Temperature: 20±10°C, RH: 65% ±20%. If any doubt on the results, measurements should be made within the following limits: Ambient Temperature 20±2°C, RH: 65%±5%

## PART IDENTIFICATION





Dimensions of AWCCA-37R37H18-C01-

Item	A	B	C	D	E
Spec	37.0±1.0	37.0±1.0	30.0 REF	14.0 REF	45.0±3.0

Winding Details of AWCCA-37R37H18-C01-

Number of Coils	Wire	Number of Turns
1	φ0.08 mm x 24	15

**Wave Soldering Profile:** Not suitable for  
**Manual Soldering:** 350°C Max, 3secs  
**Packaging:** Box, 100pcs MOQ

## STORAGE AND OPERATIONAL CONDITIONS

### Storage Conditions

1. Recommended storage conditions: -25°C~85°C, 70%RH (Max.)
2. Service life: Within the limits of six month from being produced.
3. The appearance and solder ability should be checked, if product is not in expiry date.

### Operation Conditions

1. Use condition limit: T=-25°C ~ 85°C, RH≤ 90%.

1. The parts are manufactured in accordance with this specification. If other conditions and specifications are required for this specification, please contact ABRACON for more information.
2. ABRACON will supply the parts in accordance with this specification unless we receive a written modify prior to an order placement.
3. In no case shall ABRACON be liable for any product failure from in appropriate handling or operation item beyond the scope of this specification.
4. When changing your production process, please notify ABRACON immediately.
5. ABRACON LLC's products are COTS – Commercial-Off-The-Shelf products; suitable for Commercial and, where designated, Automotive Applications. ABRACON's products are not specifically Military, Aviation, Aerospace, Life-dependant Medical applications or any application requiring where component failure could result in loss of life and/or property. For applications requiring and/or presenting an extreme operating environment, written consent and authorization from ABRACON is required. Please contact ABRACON LLC for more information.
6. All specifications and Marking will be subject to change without notice.

## X-ON Electronics

Largest Supplier of Electrical and Electronic Components

*Click to view similar products for [Wireless Charging Coils](#) category:*

*Click to view products by [ABRACON](#) manufacturer:*

Other Similar products are found below :

[WM5V](#) [WR383245-17F5-G](#) [SWC4242KB120-100](#) [IWAS3222CZEB190JF1](#) [WR222230-26M8-G](#) [146179-4011](#) [AWCCA107T52H40C01B](#)  
[AWCCA-15N15H06-C01-B](#) [AWCCA-18R18H10-C01-B](#) [AWCCA-26R26H08-C01-B](#) [AWCCA-28R15H08-C01-B](#) [AWCCA-30N30H20-C01-](#)  
[B](#) [AWCCA-36R36H08-C51-B](#) [AWCCA-37R37H18-C01-B](#) [AWCCA-42R38H08-C03-B](#) [AWCCA-50N50H16-C51-B](#) [AWCCA-50N50H30-](#)  
[C21-B](#) [AWCCA50N50H35C01B](#) [AWCCA50N50H50C01B](#) [AWCCA53N53H50C01B](#) [AWCCA53N53H50C02B](#) [AWCCA-RX350300-101](#)  
[AWCCA-RX404012-102](#) [DFR0712](#) [SWM1390](#) [SWW174N](#) [WMRR124F-1](#) [WMRR124F-2](#) [WMRR132F-0](#) [WMRR138F-0](#) [WMRR147F-1](#)  
[WMRT130F-0](#) [WMRT399A-0](#) [WR111180-36F5-B1](#) [WR111180-49F5-G](#) [WR121210-27M8-ID](#) [WR202010-18M8-ID](#) [WR202010-18M8-SM](#)  
[WR202020-18M8-G](#) [WR221230-36M8-G](#) [WR303050-15F5-G](#) [WR444025-17M6-G](#) [WR464650-10K2-FS3](#) [WR483245-15F5-G](#) [WR483265-](#)  
[13F5-G](#) [WR483265-15F5-G](#) [WR524825-17M6-NF-G](#) [WR524830-16F3-NF-G](#) [WR555540-16K2-FS2](#) [WRM483265-10F5-12V-G](#)