

Wireless Charging Coil Assembly

AWCCA-38R32 Series



RoHS / RoHS II Compliant



38.5 x 32.5mm

Moisture Sensitivity Level (MSL) – MSL = 1

FEATURES:

- Wireless Charging Receiver single Coil (11.1μH)
- Outline Dimensions: 38.5mm x 32.5mm x 1.0mm
- For Rx applications
- High permeability shielding to protect sensitive electronics
- Durable construction
- RoHS / RoHS II Compliant & Pb free.

APPLICATIONS:

- Batteries and Battery Chargers
- Consumer Electronics
- Smart Watches
- Digital Cameras and Camcorders
- Wireless Charging Stations
- Mobile Phones & Charging Accessories
- Power Supplies
- Power Tool Manufacturers

STANDARD SPECIFICATIONS

Maximum Ratings

Item	Value
Operating Temperature Range	T=-25°C ~ 85°C , RH≤ 90%.
Storage Temperature Range	-25°C ~85°C , 70%RH (Max.)

Electrical Characteristics

Part Number	Inductance	Q-Factor	Current Rating (rms)	Saturated Current (rms)	DC Resistance	SRF
AWCCA - 38R32H09 -C01-B	11.1μH ±10%	22±30%	2.1A Typ.	12A	260mΩ ±20%	11MHz
Test Condition	100KH z / 1V	100KHz/1V	ΔT = 40 K	100KHz/1V	20±15°C	
Test Environment	Ambient Temperature: 20±15°C, RH: 65%±20%.					

Test Conditions

A) - Ambient Temperature: 20±15°C , RH: 65% ±20%.

If any doubt on the results, measurements/tests should be made within the following limits: Ambient Temperature: 20±2°C, RH: 65%±5%

B) - Isat: DC current at which the inductance drops approximate 5% from its value without current

PART IDENTIFICATION:

AWCCA-38R32

H09

- C

01

- B

Height

H09 = 0.9mm

Feature

C = Coil

Design Code

01

Packaging

B: Box

Wireless Charging Coil Assembly

AWCCA-38R32 Series

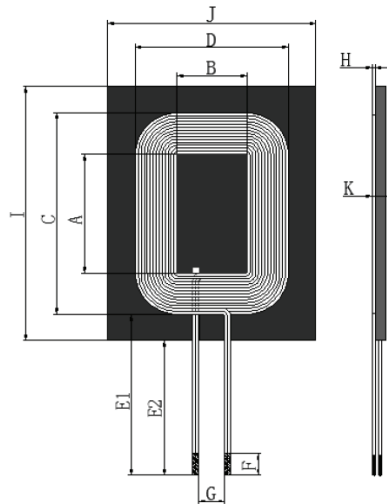


RoHS / RoHS II Compliant



38.5 x 32.5mm

OUTLINE DIMENSIONS:



A	B	C	D	E1	E2	F	G	H	I	J	K
17.5 ± 0.5	12.6 ± 0.5	35.3 ± 1.5	30.2 ± 1.5	53.0 Ref	50.0 ± 3.0	2.0 ± 1.0	5.0 Ref	0.38 ± 0.10	39.0 Max	33.0 Max	1.30 Max

Winding Specifications

Number of Coils	Wire	Number of Turns	Inductance
1	φ 0.25×2	14 REF	11.1μH ±10%

Product Customization

Products can be customized according to the Wireless Charging Coil Standards or to customer requirements. Please refer to the following table for the feature ranges, and contact ABRACON or authorized distributor / agent for further details.

Inductance Range [μH]	DC Resistance Range [mΩ]	Dimension Range [mm]	Thickness range [mm]
1 ~ 100	10 ~ 1000	10 ~ 200	0.4 ~ 10

Manual Soldering: 350°C Max, 3secs

Storage condition

- Recommended storage conditions: -25°C~85°C, 70%RH (Max.)
- Service life: Within the limits of six month from being produced.
- The appearance and solder ability should be check, if product is not in expiry date.

Operation Conditions

- Use condition limit: T=-25°C ~ 85°C, RH≤ 90%.

ATTENTION: Abracon Corporation's products are COTS – Commercial-Off-The-Shelf products; suitable for Commercial, Industrial and, where designated, Automotive Applications. Abracon's products are not specifically designed for Military, Aviation, Aerospace, Life-dependant Medical applications or any application requiring high reliability where component failure could result in loss of life and/or property. For applications requiring high reliability and/or presenting an extreme operating environment, written consent and authorization from Abracon Corporation is required. Please contact Abracon Corporation for more information.



5101 Hidden Creek Ln Spicewood TX 78669
 Phone: 512-371-6159 | Fax: 512-351-8858
 For terms and conditions of sales, please visit:
www.abracon.com

REVISED: 03-03-20

ABRACON IS
 ISO9001-2015
 CERTIFIED

X-ON Electronics

Largest Supplier of Electrical and Electronic Components

Click to view similar products for [Wireless Charging Coils](#) category:

Click to view products by [ABRACON](#) manufacturer:

Other Similar products are found below :

[WM5V](#) [WR383245-17F5-G](#) [SWC4242KB120-100](#) [IWAS3222CZEB190JF1](#) [WR222230-26M8-G](#) [146179-4011](#) [AWCCA107T52H40C01B](#)
[AWCCA-15N15H06-C01-B](#) [AWCCA-18R18H10-C01-B](#) [AWCCA-26R26H08-C01-B](#) [AWCCA-28R15H08-C01-B](#) [AWCCA-30N30H20-C01-](#)
[B](#) [AWCCA-36R36H08-C51-B](#) [AWCCA-37R37H18-C01-B](#) [AWCCA-42R38H08-C03-B](#) [AWCCA-50N50H16-C51-B](#) [AWCCA-50N50H30-](#)
[C21-B](#) [AWCCA50N50H35C01B](#) [AWCCA50N50H50C01B](#) [AWCCA53N53H50C01B](#) [AWCCA53N53H50C02B](#) [AWCCA-RX350300-101](#)
[AWCCA-RX404012-102](#) [DFR0712](#) [SWM1390](#) [SWW174N](#) [WMRR124F-1](#) [WMRR124F-2](#) [WMRR132F-0](#) [WMRR138F-0](#) [WMRR147F-1](#)
[WMRT130F-0](#) [WMRT399A-0](#) [WR111180-36F5-B1](#) [WR111180-49F5-G](#) [WR121210-27M8-ID](#) [WR202010-18M8-ID](#) [WR202010-18M8-SM](#)
[WR202020-18M8-G](#) [WR221230-36M8-G](#) [WR303050-15F5-G](#) [WR444025-17M6-G](#) [WR464650-10K2-FS3](#) [WR483245-15F5-G](#) [WR483265-](#)
[13F5-G](#) [WR483265-15F5-G](#) [WR524825-17M6-NF-G](#) [WR524830-16F3-NF-G](#) [WR555540-16K2-FS2](#) [WRM483265-10F5-12V-G](#)