

Ultra-Low Jitter, Fixed-Frequency SMD Clock Oscillator

AX3-0006-T

Request Samples



Check Inventory



ESD Sensitive



L x W x H mm

RoHS/RoHS II Compliant

MSL Level = 1

Features

- Exceptionally Low RMS Jitter: < 95fs Typ (120fs Max)
- ± 20 ppm stability over industrial operating temperature (0°C to +105°C)
- 1.8V supply voltage
- HCSL differential output
- Industry standard 3.2 x 2.5 x 1.0 mm footprint
- Available in Abracon's Global Distribution Network

Applications

- PCI Express

Electrical Specifications

Parameters	Min.	Typ.	Max.	Units	Notes
Output Frequency		100.000		MHz	
Supply Voltage (Vdd)	1.71	1.8	1.89	V	
Supply Current (Idd)		32	40	mA	
Operating Temperature Range	0		105	°C	
Storage Temperature	-55		150	°C	
Frequency Accuracy (Initial Set-Tolerance)	-10		10	ppm	Relative to the carrier at time of shipment (Pre-Reflow) @ +25°C
Frequency Stability over Operating Temperature Range	-20		20	ppm	0°C to +105°C [Note 1]
Aging over 20 Year Product Life	-15		15	ppm	[Note 2]
All-Inclusive Frequency Accuracy (Total Stability) over 20 Year Product Life	-45		45	ppm	[Note 2, 3]
Output Logic	HCSL				
Rise (Tr) / Fall (Tf) Time		0.2	0.6	ns	20% to 80% of Waveform
Duty Cycle	45		55	%	Measured at 50% of Waveform RL=50Ω to Ground
Output Voltage	V _{OH}	0.55	1.0	V	RL=50Ω to Ground See Recommended Test Circuit
	V _{OL}	-0.15	+0.15	V	
Output Voltage Swing (Vopp)	0.400			V	
Start-up Time		< 2	5	ms	[Note 1]
RMS Phase Jitter		0.095	0.120	pSec	12kHz -20MHz BW
Period Jitter: Cycle to Cycle			350	fSec	
Period Jitter: Long Term (10k cycles min)			750	fSec	
Output Enable & Disable Control	0.7*(Vdd)			V	Output Enable; or No Connect Output Disable; High Impedance
			0.3*(Vdd)		
Output Enable Time		< 2	5.0	ms	
Output Disable Time			0.2	μs	
Output Disable Current Consumption			30	μA	OE ≤ 0.3V

Note 1: Relative to initial measured frequency @ +25°C

Note 2: Relative to post-reflow frequency @ +25°C

Note 3: Includes temperature stability, initial frequency accuracy, load pulling, power supply variation, and 20 year aging



5101 Hidden Creek Ln Spicewood TX 78669
 Phone: 512-371-6159 | Fax: 512-351-8858
 For terms and conditions of sales, please visit:
www.abracon.com

REVISED: 02-08-22

ABRACON IS
 ISO9001-2015
 CERTIFIED

Ultra-Low Jitter, Fixed-Frequency SMD Clock Oscillator

AX3-0006-T

Request Samples



Check Inventory



ESD Sensitive

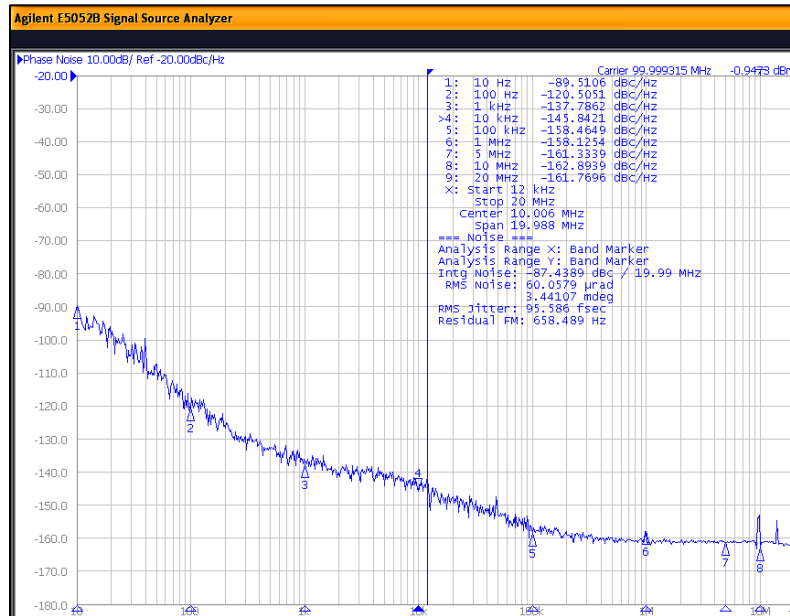


L x W x H mm

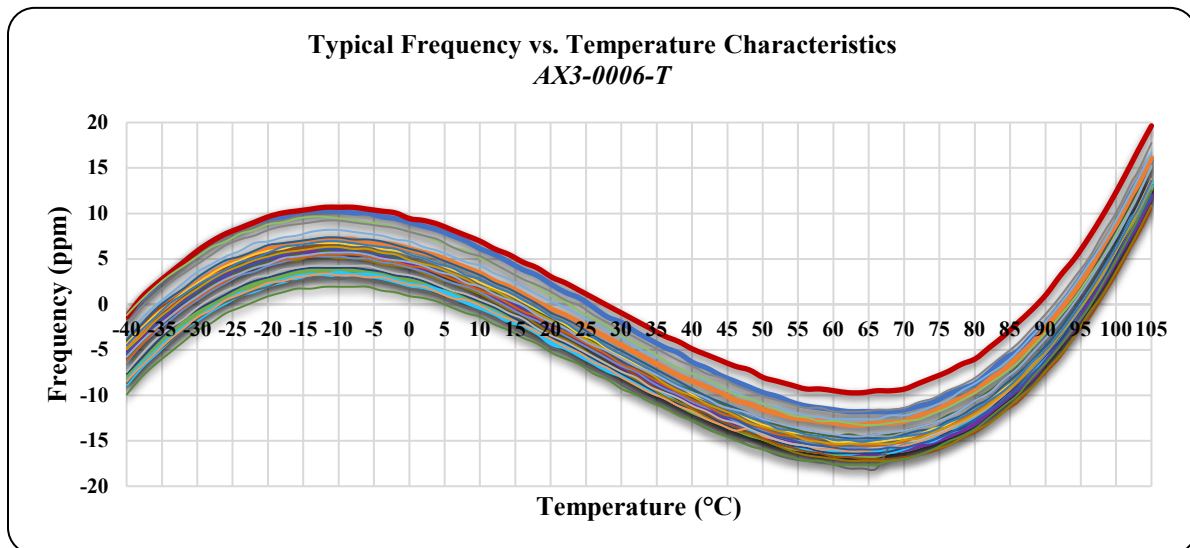
RoHS/RoHS II Compliant

MSL Level = 1

Phase Noise Plot



Typical Frequency vs. Temperature Characteristics



Ultra-Low Jitter, Fixed-Frequency SMD Clock Oscillator

AX3-0006-T

Request Samples 

Check Inventory 



L x W x H mm
RoHS/RoHS II Compliant
MSL Level = 1

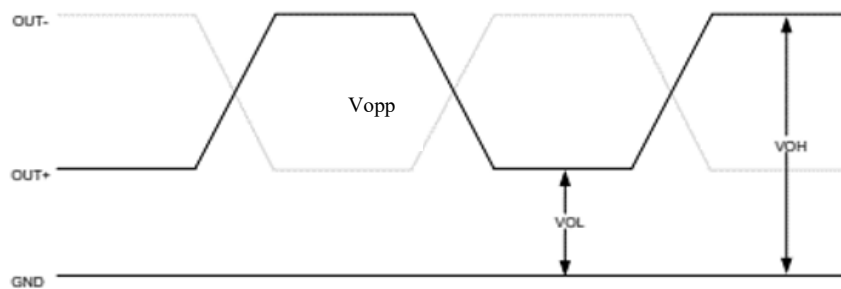
Options and Part Identification

AX3-0006-

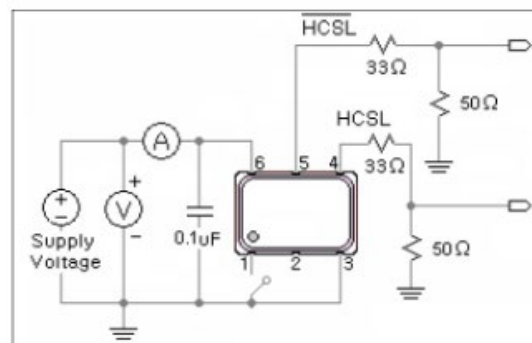
Packaging
Blank: Bulk (***)
T: Tape & Reel 1,000 units
T3: Tape & Reel 3,000 units

(***) MOQ: 250 units

Differential Output Waveform



Recommended Test Circuit



Ultra-Low Jitter, Fixed-Frequency SMD Clock Oscillator

AX3-0006-T

Request Samples



Check Inventory



ESD Sensitive

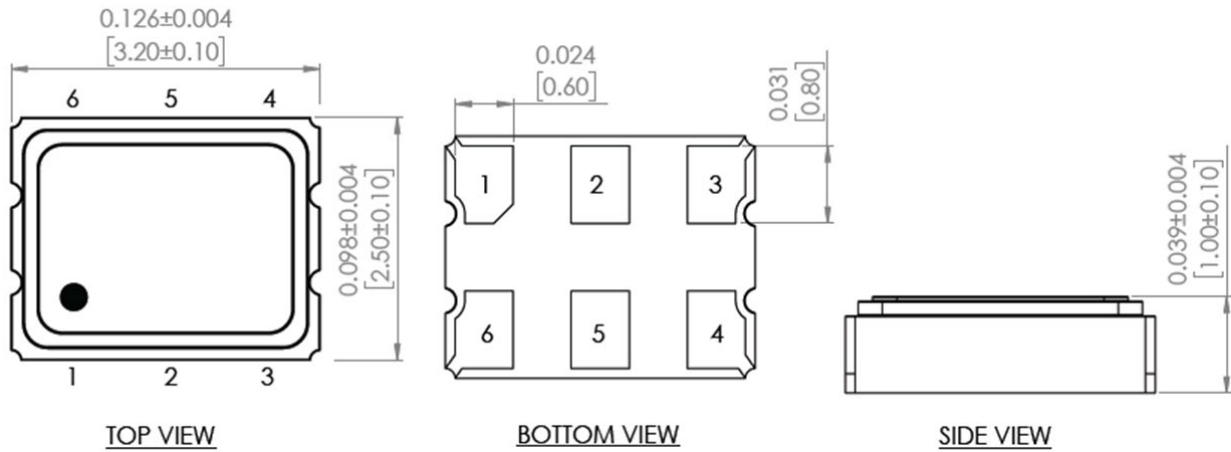


L x W x H mm

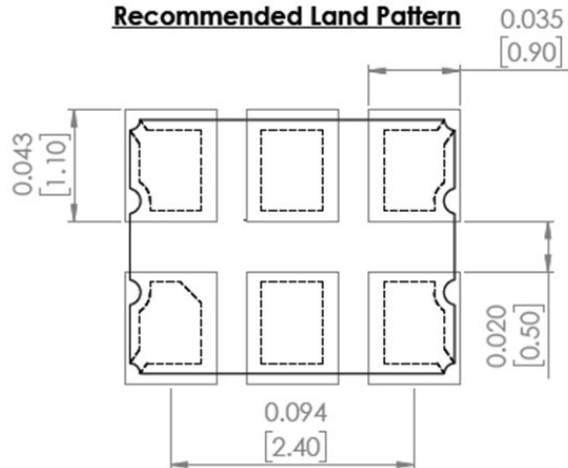
RoHS/RoHS II Compliant

MSL Level = 1

Mechanical Dimensions



Recommended Land Pattern



Pin #1=Output Enable/Disable Function where OE is Active HIGH	
Pin	Description
# 1	Output Enable = Logic High, "1", Vdd Output Disable = Logic Low, "0", GND
# 2	No Connect
# 3	GND
# 4	Output
# 5	Complementary output
# 6	Supply Voltage (Vdd)

Dimensions: inches [mm]



5101 Hidden Creek Ln Spicewood TX 78669
 Phone: 512-371-6159 | Fax: 512-351-8858
 For terms and conditions of sales, please visit:
www.abracon.com

REVISED: 02-08-22

ABRACON IS
 ISO9001-2015
 CERTIFIED

Ultra-Low Jitter, Fixed-Frequency SMD Clock Oscillator

AX3-0006-T

Request Samples 

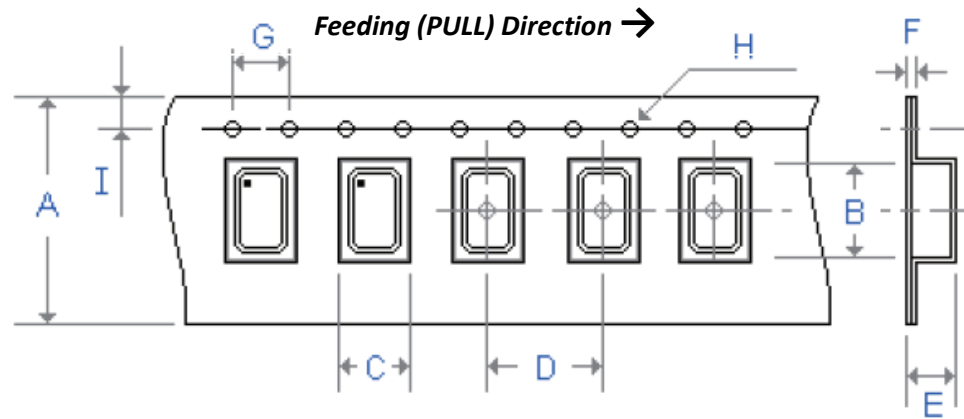
Check Inventory 



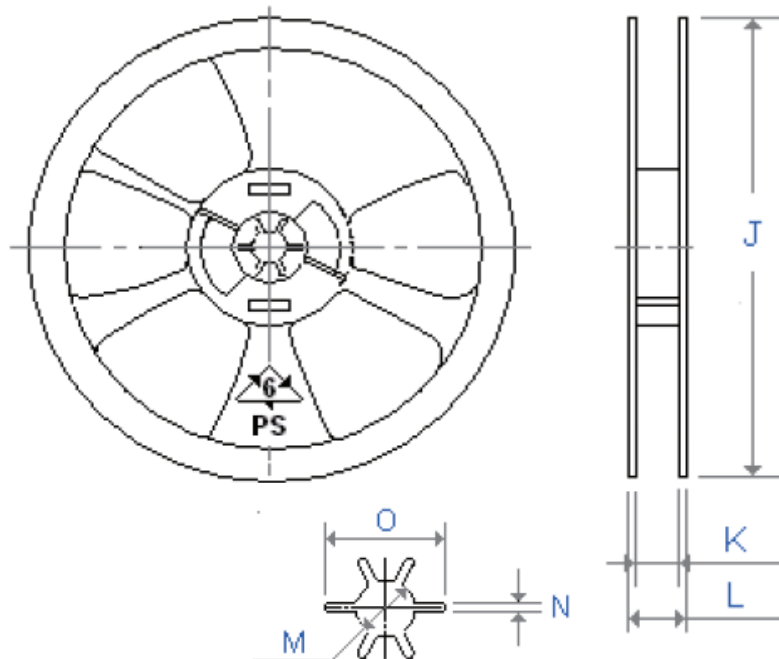
L x W x H mm
RoHS/RoHS II Compliant
 MSL Level = 1

Packaging

Blank = Bulk (MOQ=250 units)
 T = Tape & Reel 1,000 units/reel
 T3= Tape & Reel 3,000 units/reel



Tape Dimensions	
A	8.00
B	3.40
C	2.70
D	4.00
E	1.40
F	0.30
G	4.00
H	Ø1.55
I	1.75
Reel Dimensions	
J	180.00
K	10.90
L	11.40
M	13.20
N	2.20
O	22.00



Dimensions: mm



5101 Hidden Creek Ln Spicewood TX 78669
 Phone: 512-371-6159 | Fax: 512-351-8858
 For terms and conditions of sales, please visit:
www.abracon.com

REVISED: 02-08-22

ABRACON IS
 ISO9001-2015
 CERTIFIED

Ultra-Low Jitter, Fixed-Frequency SMD Clock Oscillator

AX3-0006-T

Request Samples



Check Inventory



ESD Sensitive



L x W x H mm

RoHS/RoHS II Compliant

MSL Level = 1

Reflow Profile [JEDEC J-STD-020]

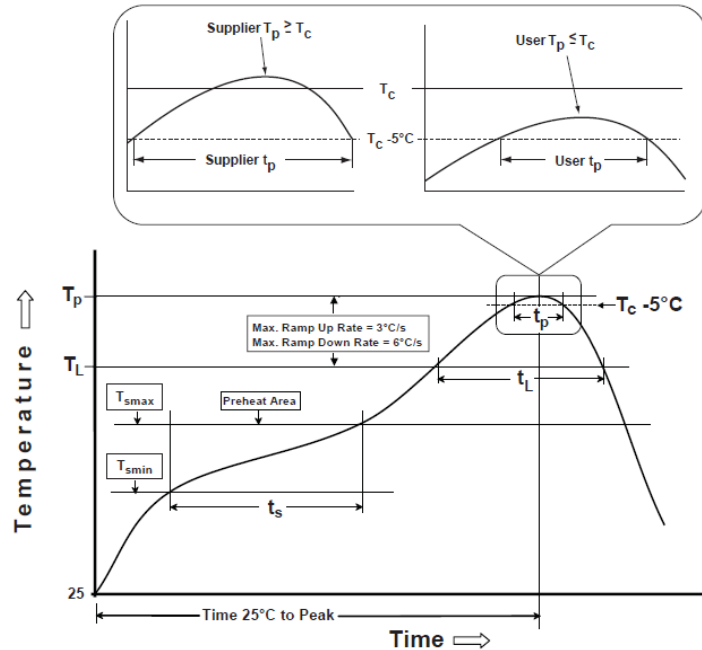


Table 1

SnPb Eutectic Process Classification Temperatures (T_C)

Package Thickness	Volume mm ³ <350	Volume mm ³ ≥350
<2.5 mm	235 °C	220 °C
≥2.5 mm	220 °C	220 °C

Table 2

Pb-Free Process Classification Temperatures (T_C)

Package Thickness	Volume mm ³ <350	Volume mm ³ 350-2000	Volume mm ³ >2000
<1.6 mm	260 °C	260 °C	260 °C
1.6 mm - 2.5 mm	260 °C	250 °C	245 °C
>2.5 mm	250 °C	245 °C	245 °C

Profile Feature	Sn-Pb Eutectic Assembly	Pb-Free Assembly
Preheat / soak		
Temperature minimum (T_{smin})	100°C	150°C
Temperature maximum (T_{smax})	150°C	200°C
Time (T_{smin} to T_{smax}) (t_s)	60 - 120 sec.	60 - 120 sec.
Average ramp-up rate (T_{smax} to T_p)	3°C/sec. max	3°C/sec. max
Liquidous temperature (T_L)	183°C	217°C
Time at liquidous (t_L)	60 - 150 sec.	60 - 150 sec.
Peak package body temperature (T_p)*	see Table 1	see Table 2
Time (t_p)** within 5°C of the specified classification temperature (T_C)	20 sec.	30 sec.
Ramp-down rate (T_p to T_{smax})	6°C/sec. max	6°C/sec. max
Time 25°C to peak temperature	6 min. max	8 min. max
Reflow cycles	2 max	2 max

*Tolerance for peak profile temperature (T_p) is defined as a supplier minimum and a user maximum.

**Tolerance for time at peak profile temperature (t_p) is defined as a supplier minimum and a user maximum.

ATTENTION: Abracon LLC's products are COTS – Commercial-Off-The-Shelf products; suitable for Commercial, Industrial and, where designated, Automotive Applications. Abracon's products are not specifically designed for Military, Aviation, Aerospace, Life-dependent Medical applications or any application requiring high reliability where component failure could result in loss of life and/or property. For applications requiring high reliability and/or presenting an extreme operating environment, written consent and authorization from Abracon LLC is required. Please contact Abracon LLC for more information.



5101 Hidden Creek Ln Spicewood TX 78669
 Phone: 512-371-6159 | Fax: 512-351-8858
 For terms and conditions of sales, please visit:
www.abracon.com

REVISED: 02-08-22

ABRACON IS
 ISO9001-2015
 CERTIFIED

X-ON Electronics

Largest Supplier of Electrical and Electronic Components

Click to view similar products for [Standard Clock Oscillators](#) category:

Click to view products by [Abracon](#) manufacturer:

Other Similar products are found below :

[601252](#) [F335-25](#) [F535L-33.333](#) [F535L-50](#) [NBXHBA019LN1TAG](#) [SiT1602BI-22-33E-50.000000E](#) [SIT8918AA-11-33S-50.000000G](#)
[SM4420TEV-40.0M-T1K](#) [F335-24](#) [F335-40](#) [F535L-10](#) [F535L-12](#) [F535L-24](#) [F535L-27](#) [PE7744DW-100.0M](#) [ASF1-3.686MHZ-N-K-S](#) [ASV-](#)
[4.000MHZ-LCS-T](#) [XLH735025.000JU4I8](#) [XLP725125.000JU6I8](#) [XO57CTECNA3M6864](#) [601251](#) [SiT8503AI-18-33E-0.200000X](#)
[SIT8918AA-11-33S-16.000000G](#) [SIT9122AI2C233E300.000000X](#) [9120AC-2D2-33E212.500000](#) [9102AI-243N25E100.00000](#) [8208AC-82-](#)
[18E-25.00000](#) [8008AI-72-XXE-24.545454E](#) [8004AC-13-33E-133.33000X](#) [AS-4.9152-16-SMD-TR](#) [ASFL1-48.000MHZ-LC-T](#)
[632L3I004M00000](#) [SIT8920AM-31-33E-25.0000](#) [DSC1028DI2-019.2000](#) [9121AC-2C3-25E100.00000](#) [9102AI-233N33E100.00000X](#)
[9102AI-233N25E200.00000](#) [9102AI-232H25S125.00000](#) [9102AI-133N25E200.00000](#) [9102AC-283N25E200.00000](#) [9001AC-33-33E1-30.000](#)
[8103AC-13-33E-12.00000X](#) [3921AI-2CF-33NZ125.000000](#) [5730-1SF](#) [XUN736000.032768I](#) [ASV-25.000MHZ-ECS-50-T](#) [EC3925ETTTS-](#)
[100.000M TR](#) [SIT1602BC-83-33E-10.000000Y](#) [8003AI-12-33S-40.00000Y](#) [1602BI-13-33S-19.200000E](#)