

# CRYSTAL OSCILLATOR TEST & BURN IN SOCKET

AXS-2520-04-11

Precision test socket for 2.5X2mm,  
4 pad crystal oscillator packages.



**RoHS**  
Compliant



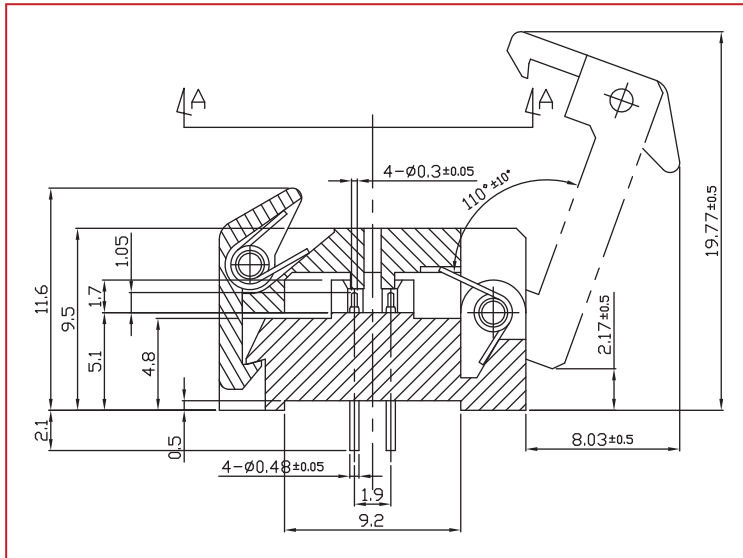
## FEATURES:

- Accurate and reliable testing of frequency control devices
- Contact force ideal for avoiding measurement error
- Highest quality socket available
- Clam shell design for easy open and close
- Reliable gold plated POGO pins
- Suitable for high temperature burn-in test
- Operating Temperature: -30 ~ +150°C

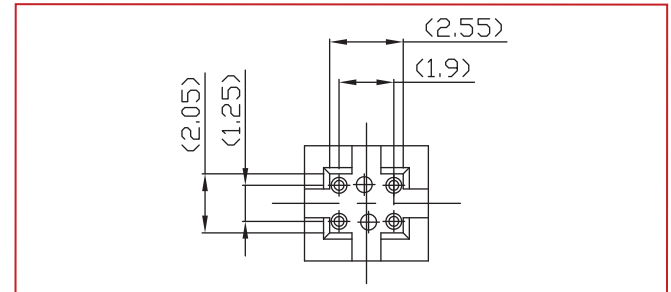
## APPLICATIONS:

- Design stage component engineering evaluation
- Supplier comparison tests
- High temperature burn-in board testing
- Prototyping

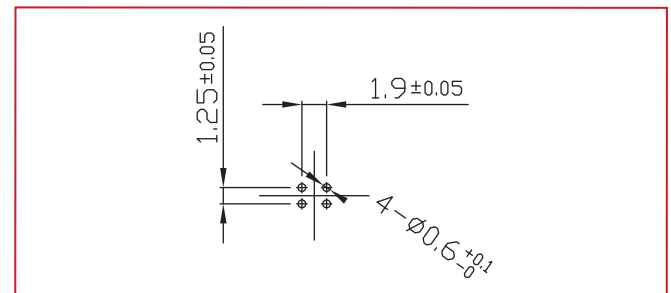
## SIDE VIEW (OPEN):



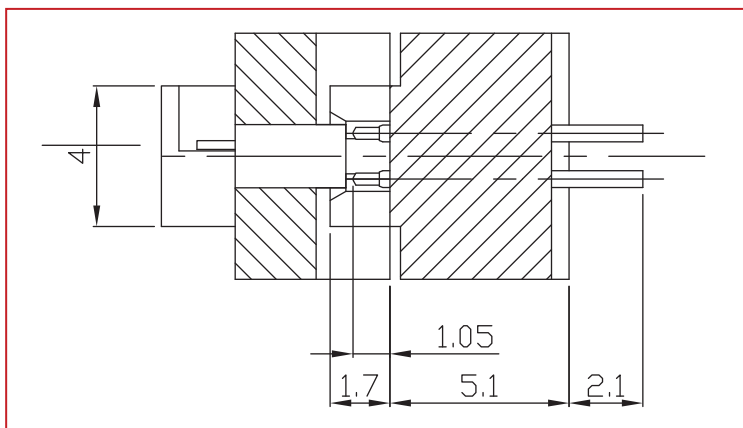
## POCKET TOP VIEW:



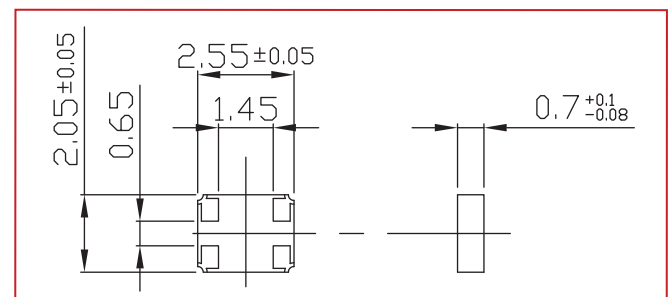
## PIN DIMENSIONS:



## END VIEW:



## SUITABLE CRYSTAL OSCILLATOR PACKAGE DIMENSIONS:



Dimensions: mm

## ORDERING INFORMATION:

When ordering, please refer to part number

**AXS-2520-04-11**

## RECOMMENDED FOR USE WITH DEVICE PACKAGE DIMENSIONS:

**2.5 x 2.0 x 0.7mm**

## COMPATIBLE ABRACON SURFACE MOUNT CRYSTAL OSCILLATOR:

**ASD, ASDM**

(for a pdf download go to [www.abracon.com/oscillators.htm](http://www.abracon.com/oscillators.htm))

\* ABRACON test and burn in sockets are compatible with all industry standard frequency control packages.

ABRACON IS  
ISO 9001 / QS 9000  
CERTIFIED



Visit [www.abracon.com](http://www.abracon.com) for Terms & Conditions of Sale **Revised: 07.10.09**  
30332 Esperanza, Rancho Santa Margarita, California 92688  
tel 949-546-8000 | fax 949-546-8001 | [www.abracon.com](http://www.abracon.com)

## X-ON Electronics

Largest Supplier of Electrical and Electronic Components

*Click to view similar products for [Test Sockets](#) category:*

*Click to view products by [Abracon](#) manufacturer:*

Other Similar products are found below :

[AXS-5032-04-02](#) [AXS-3225-04-06](#) [AXS-7050-04-12](#) [5662](#) [BP30-10-B](#) [BP30-10Y-1 PKG](#) [AXS-7050-04-01](#) [AXS-5032-04-06](#) [AXS-2520-04-01](#) [AXS-5032-04-04](#) [972361101](#) [972361100](#) [930308100](#) [931714100](#) [931714101](#) [930308104](#) [66.9328-25](#) [563-0100](#) [563-0500](#) [551-0700](#) [563-0300](#) [563-0600](#) [563-0700](#) [5281](#) [5279](#) [571-0300](#) [572-0200](#) [572-0400](#) [AXS-7550-06-03](#) [2713BB](#) [295-103](#) [571-0200](#) [571-0400](#) [571-0600](#) [1458-103](#) [AXS-1147-02-02](#) [AXS-2520-04-08](#) [AXS-3030-06-03](#) [AXS-3215-02-01](#) [AXS-3215-02-05](#) [AXS-3838-08-01](#) [AXS-5032-04-12](#) [930320100](#) [CL159701](#) [551-0100](#) [551-0200](#) [551-0400](#) [551-0500](#) [563-0200](#) [571-0100](#)