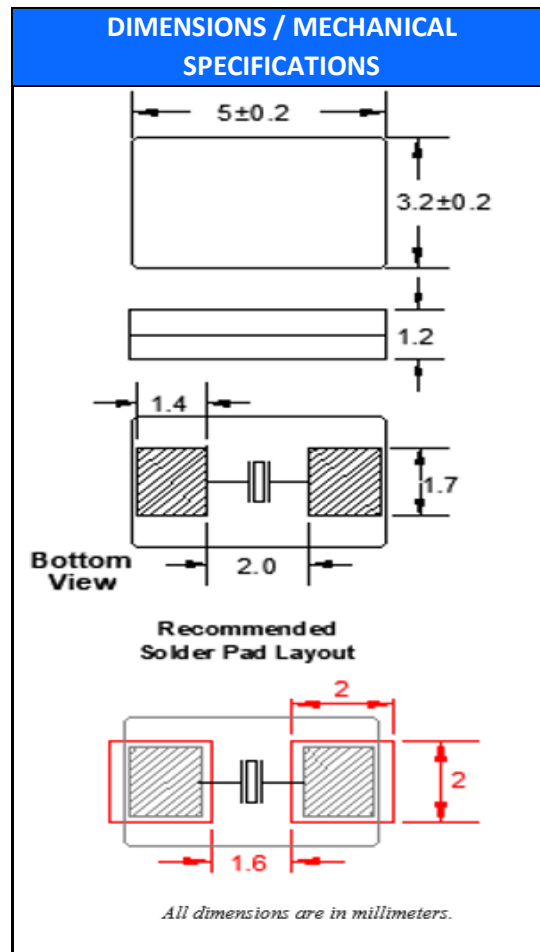


### Features

- Tolerances down to  $\pm 20$  PPM
- Stabilities down to  $\pm 10$  PPM

| STANDARD SPECIFICATIONS       |                              |
|-------------------------------|------------------------------|
| PARAMETERS                    | MAX (Unless otherwise noted) |
| Frequency Range               | 8.000 ~ 48.000 MHz           |
| Frequency Tolerance @ 25°C    | (See options below)          |
| Frequency Stability, ref 25°C | (See options below)          |
| Temperature Range             |                              |
| Operating ( $T_{OPR}$ )       | (See options below)          |
| Storage ( $T_{STG}$ )         | -40°C ~ +85°C                |
| Shunt Capacitance ( $C_0$ )   | 5 pF                         |
| Load Capacitance ( $C_L$ )    | (See options below)          |
| Drive Level                   | 0.5mW                        |
| Aging per year (@ 25°C)       | $\pm 5$ PPM                  |
| Termination Finish            | Ag                           |
| Seal Method                   | Resin                        |
| Lead (Pb) Free                | Yes                          |
| RoHS Compliant                | Yes                          |



Note: Dimensional drawing is for reference to critical specifications defined by size measurements. Certain non-critical visual attributes, such as side castellations, etc. may vary.

| Frequency Range (MHz) | Operating Mode | Max ESR $\Omega$ |
|-----------------------|----------------|------------------|
| 8.000000 ~ 11.999999  | Fundamental    | 100              |
| 12.000000 ~ 16.000    | Fundamental    | 80               |
| 16.000001 ~ 48.000    | Fundamental    | 50               |

| AVAILABLE OPERATING TEMPERATURES AND STABILITIES* |              |              |              |              |              |              |
|---|--------------|--------------|--------------|--------------|--------------|--------------|
| Operating Temperature                             | $\pm 10$ PPM | $\pm 15$ PPM | $\pm 20$ PPM | $\pm 25$ PPM | $\pm 30$ PPM | $\pm 50$ PPM |
| 0°C ~ +70°C                                       | O            | O            | O            | O            | O            | O            |
| -20°C ~ +70°C                                     | O            | O            | O            | O            | O            | O            |
| -40°C ~ +85°C                                     | X            | X            | X            | X            | O            | O            |

Key: O = Available, X = Not Available \*Does not imply a stocked part.

# FC5AQ

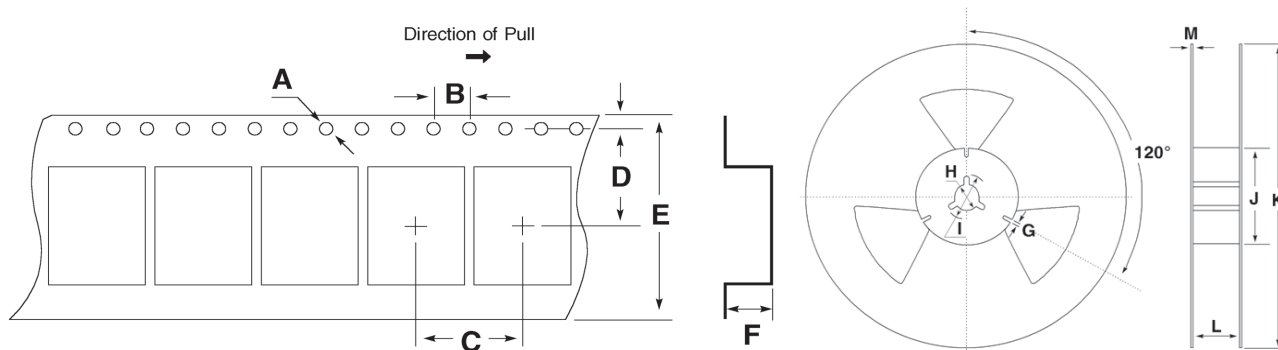
(Former FQ5032A)

5.0mm x 3.2mm

SMD Crystal



| TAPE SPECIFICATIONS (mm) |     |     |     |      |     |             | REEL SPECIFICATIONS (mm) |     |     |     |      |      |     |
|--------------------------|-----|-----|-----|------|-----|-------------|--------------------------|-----|-----|-----|------|------|-----|
| A                        | B   | C   | D   | E    | F   | REEL QTY    | G                        | H   | I   | J   | K    | L    | M   |
| ø1.5                     | 4.0 | 8.0 | 5.5 | 12.0 | 1.5 | -T1 = 1,000 | 2.0                      | ø13 | ø21 | ø62 | ø180 | 13.5 | 2.0 |



## Available Options & Part Identification for SMD Crystal FC5AQ<sup>1</sup>

Sample PN: FC5AQCCMC25.0-T1

| F          | C5AQ                | C   | C   | M  | C   | 25.0                   | -T1   |
|------------|---------------------|---|---|--|---|------------------------|---|
| <u>Fox</u> | <u>Model Number</u> | <u>Tolerance</u><br>B = 50 PPM<br><b>C = 30 PPM</b><br>D = 25 PPM<br>E = 20 PPM | <u>Stability</u><br>A = 100 PPM<br>B = 50 PPM<br><b>C = 30 PPM</b><br>D = 25 PPM<br>E = 20 PPM<br>F = 15PPM<br>H = 10 PPM | <u>Load Capacitance<sup>2</sup></u><br>A= Series<br>V = 7pF<br>D = 8pF<br>E = 10pF<br>G = 12pF<br>K = 16pF<br>L = 18 pF<br><b>M = 20pF</b> | <u>Operating Temperature</u><br><b>C = 0 to +70°C</b><br>E = -10 to +70°C<br>F = -20 to +70°C<br>M = -40 to +85°C | <u>Frequency (MHz)</u> | <u>Values Added Options</u><br>Blank = Bulk<br>T1 = 1,000 pcs |

1 Not all frequency, tolerance, stability, load, and operating temperature combinations may be available.

2 Listed load capacitances represent the most commonly used. Other load capacitances are available. Contact us for assistance

### Reliability Test Conditions

Please contact Abracon Quality Assurance department

## X-ON Electronics

Largest Supplier of Electrical and Electronic Components

*Click to view similar products for [Crystals](#) category:*

*Click to view products by [Abracon](#) manufacturer:*

Other Similar products are found below :

[MC405 32.0000K-R3:PURE SN](#) [7B-27.000MBBK-T](#) [MP1-8.0 99-BU](#) [9B-15.360MBBK-B](#) [PTX-A2JM-10.000M](#) [9C-7.680MBBK-T](#) [H10S-12.000-18-EXT-TR](#) [R38-32.768-12.5-5PPM-NPB](#) [BTD1062E05A-513](#) [21U15A-21.4MHZ](#) [RTX-781DF1-S-20.950](#) [LFXTAL066198Cutt](#) [9C-14.31818MBBK-T](#) [A-11.000MHZ-27](#) [SPT2A-.032768B](#) [SPT2A.032768G](#) [SSPT7F-9PF20-R](#) [FX325BS-38.88EEM1201](#) [MP-1-25.000MHZ-3L](#) [MP-1-6.000MHZ](#) [LFXTAL065253Cutt](#) [LFXTAL066431Cutt](#) [XT9S20ANA14M7456](#) [XT9SNLANA16M](#) [646G-24-2](#) [7B-30.000MBBK-T](#) [6504-202-1501](#) [6526-202-1501](#) [BTJ120E02C](#) [SG636PCE-20.000MC](#) [3404](#) [CM315D32768EZFT](#) [C1E-24.000-7-2020-R](#) [C1E-19.200-12-1530-X-R](#) [C1E-16.000-12-1530-X-R](#) [ABM11-16.000MHZ-9-B1U-T](#) [FL5000014](#) [EUCA18-3.1872M](#) [425F35E027M0000](#) [17196](#) [MS3V-T1R-32.768kHz-7pF-20PPM-TA-QC-Au](#) [VXM7-1C1-16M000](#) [MS1V-T1K-32.768kHz-10pF-20PPM-TA-QC-Au](#) [MS1V-T1K-32.768kHz-12.5pF-20PPM-TA-QC-Au](#) [MS3V-T1R-32.768kHz-9pF-20PPM-TA-QC-Au](#) [17000](#) [17301](#) [16875](#) [ECS-80-18-30B-JEM-TR](#)