

Resin Sealed SMD Crystal



Model: FQ7050 Series

RoHS Compliant / Pb Free

Rev. 5/5/2014

Page 1 of 2

http://www.foxonline.com/need_a_sample.htm



FEATURES

- Surface Mount Resin Sealed
- Low Cost
- Ultra Low Profile
- Fundamental
- Tape and Reel (1,000 pcs STD)

OPTIONS

- Tolerances to ± 20 PPM
- Stabilities to ± 20 PPM
- Temp Range to $-40^{\circ}\text{C} \sim +85^{\circ}\text{C}$

• PART NUMBER

Part Number	Model Number	Frequency Range (MHz)
736A-Frequency-xxxxx	FQ7050A	6.000 ~ 40.000*
736B-Frequency-xxxxx	FQ7050B	6.000 ~ 40.000*

• STANDARD SPECIFICATIONS¹

PARAMETERS	MAX (unless otherwise noted)
Frequency Range (Fo)	6.000 ~ 40.000 MHz*
Frequency Tolerance @ 25°C	± 30 PPM ¹
Frequency Stability, ref @ 25°C Over Operating Temp Range	± 30 PPM ¹
Temperature Range	
Operating (TOPR)	$0^{\circ}\text{C} \sim +70^{\circ}\text{C}$ ¹
Storage (TSTG)	$-40^{\circ}\text{C} \sim +85^{\circ}\text{C}$
Shunt Capacitance (Co)	7 pF
Load Capacitance (CL)	10 pF ~ Series (Customer Specified)
Drive Level	0.5 mW
Aging per year	± 5 PPM

RoHS Compliance Status: Compliant

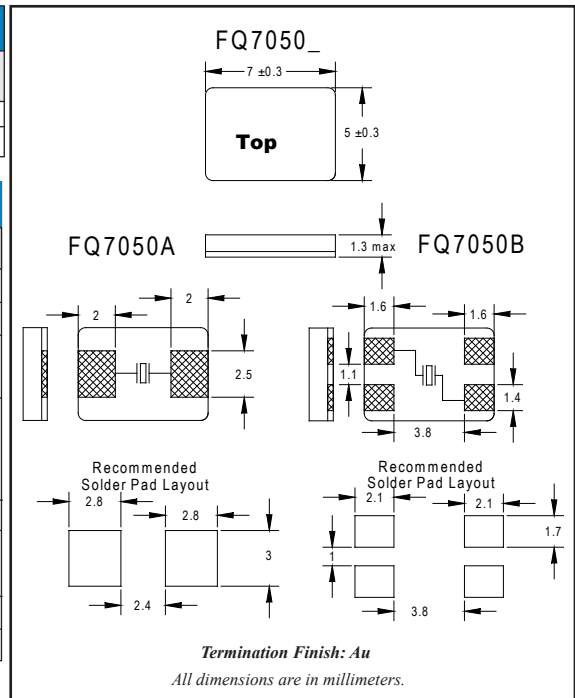
¹ Other tolerances, stabilities & operating temperature ranges available. Consult Fox Customer Service for specific requirements.

NOTE: The above specifications, having been carefully prepared and checked, is believed to be accurate at the time of publication; however, no responsibility is assumed by Fox Electronics for inaccuracies.

* Up to 40.000 MHz is available if this device is replacing an existing 5 x 7mm package. For new designs, above 12.000MHz, we recommend the smaller (FQ6035 & FQ5032) packages. Small quantities above 12MHz are only available in the smaller sizes.

If you have any questions, please call Customer Support at 1-888-GET-2-FOX.

All specifications subject to change without notice.



Frequency Range (MHz)	Operating Mode	Max ESR Ω
6.000 ~ 16.000	Fundamental	80
16.000+ ~ 40.000	Fundamental	50

Resin Sealed SMD Crystal



Model: FQ7050 Series

RoHS Compliant / Pb Free

Rev. 5/5/2014

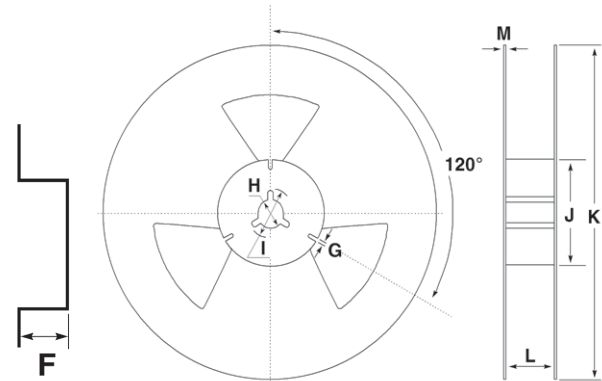
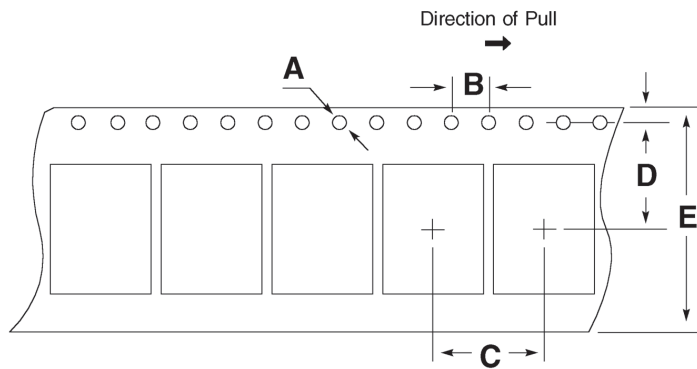
Page 2 of 2

http://www.foxonline.com/need_a_sample.htm



• TAPE SPECIFICATIONS (millimeters)							
MODEL	A	B	C	D	E	F	STD Reel QTY
FQ7050	∅1.5	4.0	8.0	7.5	16.0	2.0	1,000

• REEL SPECIFICATIONS (millimeters)							
MODEL	G	H	I	J	K	L	M
FQ7050	2.0	∅13	∅21	∅62.5	∅178	16.4	2.0



All specifications subject to change without notice.

• FQ7050 Standard Crystals					
Part Number	Frequency	Tolerance	Stability	Temp Range	CL
FQ7050B-6.000	6.000000	+/- 30 ppm	+/- 30 ppm	0 to +70 C	20pF
FQ7050B-7.3728	7.372800	+/- 30 ppm	+/- 30 ppm	0 to +70 C	20pF
FQ7050B-8.000	8.000000	+/- 30 ppm	+/- 30 ppm	0 to +70 C	20pF
FQ7050BR-6.000	6.000000	+/- 30 ppm	+/- 50 ppm	-40 to +85 C	20pF
FQ7050BR-7.3728	7.372800	+/- 30 ppm	+/- 50 ppm	-40 to +85 C	20pF
FQ7050BR-8.000	8.000000	+/- 30 ppm	+/- 50 ppm	-40 to +85 C	20pF

X-ON Electronics

Largest Supplier of Electrical and Electronic Components

Click to view similar products for [Crystals](#) category:

Click to view products by [Abracon](#) manufacturer:

Other Similar products are found below :

[MC405 32.0000K-R3:PURE SN](#) [7B-27.000MBBK-T](#) [MP1-8.0 99-BU](#) [9B-15.360MBBK-B](#) [PTX-A2JM-10.000M](#) [9C-7.680MBBK-T](#) [H10S-12.000-18-EXT-TR](#) [R38-32.768-12.5-5PPM-NPB](#) [BTD1062E05A-513](#) [21U15A-21.4MHZ](#) [RTX-781DF1-S-20.950](#) [LFXTAL066198Cutt](#) [9C-14.31818MBBK-T](#) [A-11.000MHZ-27](#) [SPT2A-.032768B](#) [SPT2A.032768G](#) [SSPT7F-9PF20-R](#) [FX325BS-38.88EEM1201](#) [MP-1-25.000MHZ-3L](#) [MP-1-6.000MHZ](#) [LFXTAL065253Cutt](#) [LFXTAL066431Cutt](#) [XT9S20ANA14M7456](#) [XT9SNLANA16M](#) [646G-24-2](#) [7B-30.000MBBK-T](#) [6504-202-1501](#) [6526-202-1501](#) [BTJ120E02C](#) [SG636PCE-20.000MC](#) [3404](#) [C1E-24.000-7-2020-R](#) [C1E-19.200-12-1530-X-R](#) [C1E-16.000-12-1530-X-R](#) [FL5000014](#) [EUCA18-3.1872M](#) [425F35E027M0000](#) [17196](#) [MS3V-T1R-32.768kHz-7pF-20PPM-TA-QC-Au](#) [VXM7-1C1-16M000](#) [MS1V-T1K-32.768kHz-10pF-20PPM-TA-QC-Au](#) [MS1V-T1K-32.768kHz-12.5pF-20PPM-TA-QC-Au](#) [MS3V-T1R-32.768kHz-9pF-20PPM-TA-QC-Au](#) [17000](#) [17301](#) [16875](#) [ECS-80-18-30B-JEM-TR](#) [ECS-100-10-30B-CKL-TR](#) [MS1V-T1K-32.768kHz-6pF-20PPM-TA-QC-Au](#)