

# SMD 3.2x1.5mm Tuning Fork



Model: FX135

RoHS Compliant / Pb Free

Rev. 3/20/2015

Page 1 of 2

[http://www.foxonline.com/need\\_a\\_sample.htm](http://www.foxonline.com/need_a_sample.htm)

Need a  
Sample®

## FEATURES

- Ultra Low Profile
- 0.9mm Height
- Long Term Stability
- Tape and Reel (3,000 pcs.STD)

## OPTIONS

- 9pF Available (FX135B-327)

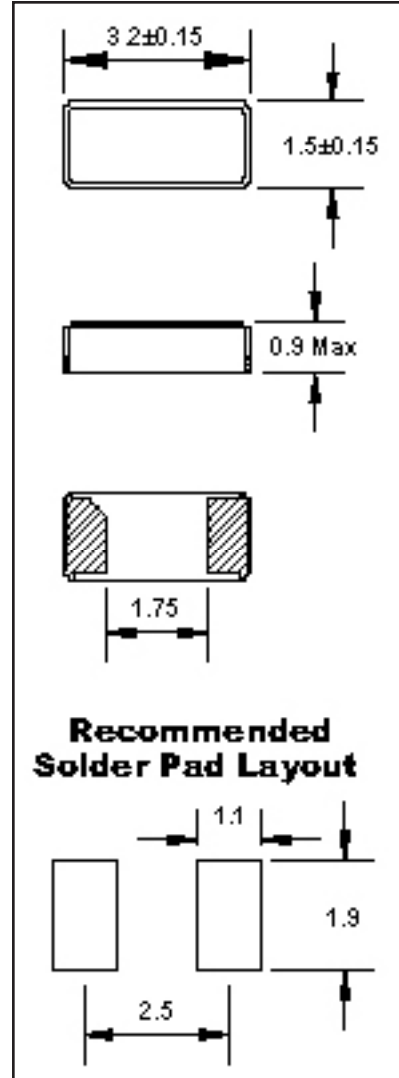
## • PART NUMBER

Part Number	Model Number	Frequency Stability	Operating Temperature	Frequency
739-Frequency-xxxxx	FX135	-0.045PPM/( $\Delta^{\circ}\text{C}$ ) <sup>2</sup>	-40 $^{\circ}\text{C}$ ~ +85 $^{\circ}\text{C}$	32.768 kHz

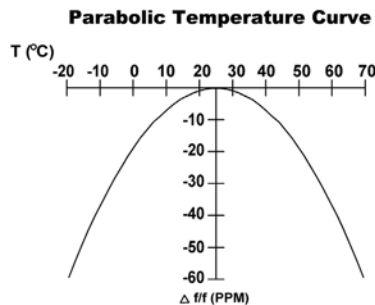
## • STANDARD SPECIFICATIONS

PARAMETERS	MAX (unless otherwise noted)
Frequency	32.768 kHz
Frequency Tolerance @ 25 $^{\circ}\text{C}$	$\pm 20$ PPM
Frequency Stability Temperature Coefficient	-0.045 PPM / ( $\Delta^{\circ}\text{C}$ ) <sup>2</sup>
Temperature Range	
Turnover (TO)	+20 $^{\circ}\text{C}$ ~ +30 $^{\circ}\text{C}$
Operating (TOPR)	-40 $^{\circ}\text{C}$ ~ +85 $^{\circ}\text{C}$
Storage (TSTG)	-55 $^{\circ}\text{C}$ ~ +125 $^{\circ}\text{C}$
Equivalent Series Resistance (RS)	70 k $\Omega$
Load Capacitance (CL)	12.5 pF(Standard) (Fox P/N: FX135A-327) 9pF (Optional) (Fox P/N: FX135B-327)
Insulation Resistance @ 100VDC	500M $\Omega$ Min
Drive Level	1.0 $\mu\text{W}$ 0.1 $\mu\text{W}$ Typ
Aging per year	$\pm 3$ PPM
Maximum Soldering Temp / Time	260 $^{\circ}\text{C}$ / 10 Seconds
Moisture Sensitivity Level (MSL)	1
Termination Finish	Au over Ni

All specifications subject to change without notice.



All dimensions are in millimeters.



To determine frequency stability, use parabolic curvature (K).  
For example: What is stability at 45 $^{\circ}\text{C}$ ?

- 1) Change in T ( $^{\circ}\text{C}$ ) = 45-25 = 20 $^{\circ}\text{C}$
- 2) Change in frequency =  $-0.04 \text{ PPM} * (\Delta \text{C})^2$   
=  $-0.04 \text{ PPM} * (20)^2$   
=  $-16.0 \text{ PPM}$

# SMD 3.2x1.5mm Tuning Fork



Model: FX135

RoHS Compliant / Pb Free

Rev. 3/20/2015

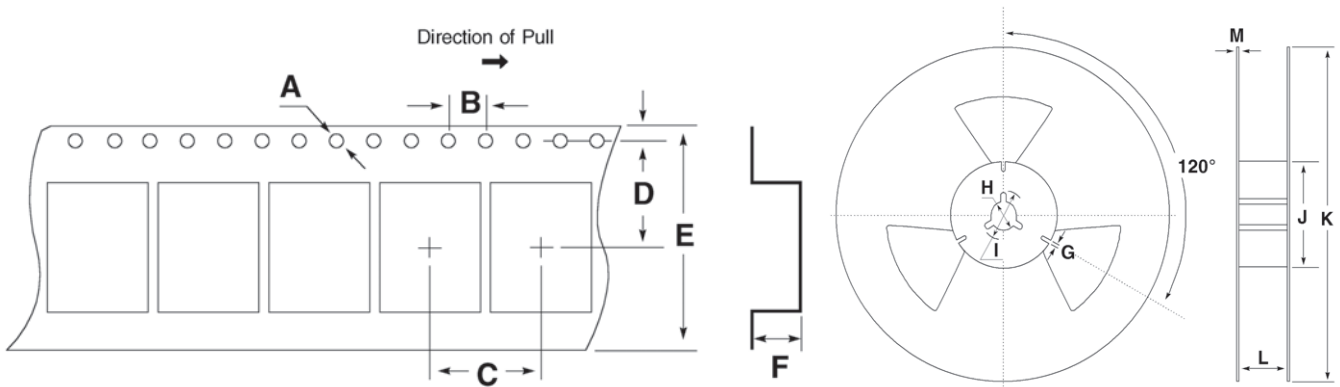
Page 2 of 2

[http://www.foxonline.com/need\\_a\\_sample.htm](http://www.foxonline.com/need_a_sample.htm)



• TAPE SPECIFICATIONS (millimeters)							
MODEL	A	B	C	D	E	F	STD Reel QTY
FX135	∅1.5	4.0	4.0	5.5	12.0	1.0	3,000

• REEL SPECIFICATIONS (millimeters)							
MODEL	G	H	I	J	K	L	M
FX135	2.0	∅13	∅21	∅60	∅180	13.0	1.2



## X-ON Electronics

Largest Supplier of Electrical and Electronic Components

*Click to view similar products for [Crystals](#) category:*

*Click to view products by [Abracon](#) manufacturer:*

Other Similar products are found below :

[MC405 32.0000K-R3:PURE SN](#) [7B-27.000MBBK-T](#) [MP1-8.0 99-BU](#) [9B-15.360MBBK-B](#) [PTX-A2JM-10.000M](#) [9C-7.680MBBK-T](#) [H10S-12.000-18-EXT-TR](#) [R38-32.768-12.5-5PPM-NPB](#) [BTD1062E05A-513](#) [21U15A-21.4MHZ](#) [RTX-781DF1-S-20.950](#) [LFXTAL066198Cutt](#) [9C-14.31818MBBK-T](#) [A-11.000MHZ-27](#) [SPT2A-.032768B](#) [SPT2A.032768G](#) [SSPT7F-9PF20-R](#) [FX325BS-38.88EEM1201](#) [MP-1-25.000MHZ-3L](#) [MP-1-6.000MHZ](#) [LFXTAL065253Cutt](#) [LFXTAL066431Cutt](#) [XT9S20ANA14M7456](#) [XT9SNLANA16M](#) [646G-24-2](#) [7B-30.000MBBK-T](#) [6504-202-1501](#) [6526-202-1501](#) [BTJ120E02C](#) [SG636PCE-20.000MC](#) [3404](#) [ABL-4.000MHZ-DI](#) [C1E-24.000-7-2020-R](#) [C1E-19.200-12-1530-X-R](#) [C1E-16.000-12-1530-X-R](#) [FL5000014](#) [EUCA18-3.1872M](#) [425F35E027M0000](#) [17196](#) [MS3V-T1R-32.768kHz-7pF-20PPM-TA-QC-Au](#) [VXM7-1C1-16M000](#) [MS1V-T1K-32.768kHz-10pF-20PPM-TA-QC-Au](#) [MS1V-T1K-32.768kHz-12.5pF-20PPM-TA-QC-Au](#) [MS3V-T1R-32.768kHz-9pF-20PPM-TA-QC-Au](#) [17000](#) [17301](#) [16875](#) [ECS-80-18-30B-JEM-TR](#) [ECS-100-10-30B-CKL-TR](#)