

# Resistance Weld Thru-Hole Crystal



Model: HC49ULF

RoHS Compliant / Pb Free

Rev. 4/23/2014

Page 1 of 2

[http://www.foxonline.com/need\\_a\\_sample.htm](http://www.foxonline.com/need_a_sample.htm)

Need a  
Sample®

## FEATURES

- Low Cost
- Stocking Standard (see page 2)
- High Frequency Range
- Fundamental to 40 MHz
- Resistance Weld

## OPTIONS

- Tolerances to 5 PPM
- Stabilities to 3 PPM
- Temperatures to -40°C ~ +105°C
- Mylar Spacer
- Vinyl Sleeve
- Third Lead

## • PART NUMBER

Part Number	Model Number	Frequency Range (MHz)
281LF-Frequency-xxxxx	HC49ULF	1.8432 ~ 180.000

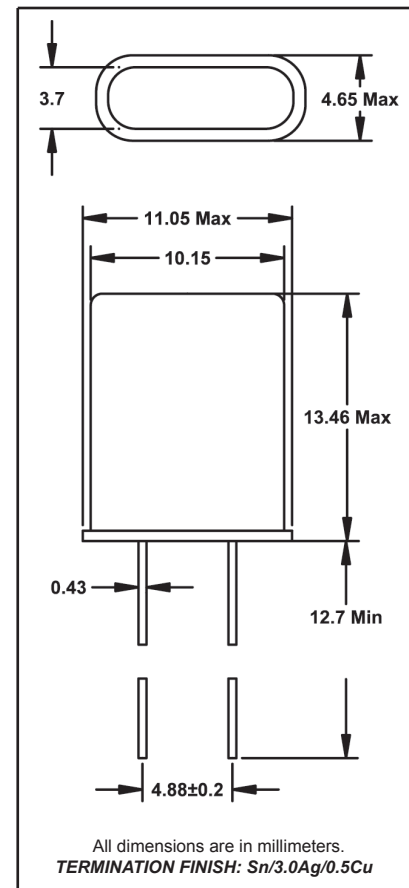
## • STANDARD SPECIFICATIONS<sup>1</sup>

PARAMETERS	MAX (unless otherwise noted)
Frequency Range	1.8432 ~ 180.000 MHz
Frequency Tolerance @ 25°C	±30 PPM
Frequency Stability, ref @ 25°C Over Operating Temp Range	±50 PPM
Temperature Range	
Operating (TOPR)	-20°C ~ +70°C
Storage (TSTG)	-40°C ~ +85°C
Shunt Capacitance (Co)	7.0 pF
Load Capacitance (CL)	10 pF ~ Series (Customer Specified)
Drive Level	
1.8432 ~ 3.000 MHz	2.0 mW
3.000+ ~ 180.000 MHz	1.0 mW
Aging per year	±5 PPM

<sup>1</sup> Other tolerances, stabilities & operating temperature ranges available. Consult Fox Customer Service for specific requirements.

All specifications subject to change without notice.

Frequency Range (MHz)	Operating Mode	Max ESR Ω
1.8432 ~ 2.000	Fundamental	750
2.000+ ~ 2.400	Fundamental	500
2.400+ ~ 3.000	Fundamental	300
3.000+ ~ 3.200	Fundamental	200
3.200+ ~ 3.700	Fundamental	120
3.700+ ~ 4.200	Fundamental	100
4.200+ ~ 4.900	Fundamental	70
4.900+ ~ 5.000	Fundamental	55
5.000+ ~ 6.000	Fundamental	50
6.000+ ~ 8.000	Fundamental	40
8.000+ ~ 10.000	Fundamental	35
10.000+ ~ 12.500	Fundamental	30
12.500+ ~ 16.000	Fundamental	25
16.000+ ~ 40.000	Fundamental	20
23.000+ ~ 75.000	3rd OT	40
60.000 ~ 110.000	5th OT	80
110.000 ~ 180.000	7th OT	120



# Resistance Weld Thru-Hole Crystal



Model: HC49ULF

RoHS Compliant / Pb Free

Rev. 4/23/2014

Page 2 of 2

[http://www.foxonline.com/need\\_a\\_sample.htm](http://www.foxonline.com/need_a_sample.htm)



All specifications subject to change without notice.

• HC49ULF Standard Crystals					
Part Number	Frequency	Tolerance	Stability	Temp Range	CL
FOXLF018S	1.843200	± 30 ppm	± 50 ppm	-20 to +70 C	13pF
FOXLF024S	2.457600	± 30 ppm	± 50 ppm	-20 to +70 C	32pF
FOXLF036S	3.579545	± 30 ppm	± 50 ppm	-20 to +70 C	18pF
FOXLF0368S	3.686400	± 30 ppm	± 50 ppm	-20 to +70 C	Series
FOXLF0368-20	3.686400	± 30 ppm	± 50 ppm	-20 to +70 C	20pF
FOXLF040A	4.000000	± 30 ppm	± 50 ppm	-20 to +70 C	Series
FOXLF040	4.000000	± 30 ppm	± 50 ppm	-20 to +70 C	20pF
FOXLF080-20	8.000000	± 30 ppm	± 50 ppm	-20 to +70 C	20pF
FOXLF100-20	10.000000	± 30 ppm	± 50 ppm	-20 to +70 C	20pF
FOXLF115	11.059200	± 30 ppm	± 50 ppm	-20 to +70 C	Series
FOXLF115-20	11.059200	± 30 ppm	± 50 ppm	-20 to +70 C	20pF
FOXLF120	12.000000	± 30 ppm	± 50 ppm	-20 to +70 C	Series
FOXLF120-20	12.000000	± 30 ppm	± 50 ppm	-20 to +70 C	20pF
FOXLF160	16.000000	± 30 ppm	± 50 ppm	-20 to +70 C	Series
FOXLF160-20	16.000000	± 30 ppm	± 50 ppm	-20 to +70 C	20pF
FOXLF200-20	20.000000	± 30 ppm	± 50 ppm	-20 to +70 C	20pF
FOXLF250F-20	25.000000	± 30 ppm	± 50 ppm	-20 to +70 C	20pF

## X-ON Electronics

Largest Supplier of Electrical and Electronic Components

*Click to view similar products for [Crystals](#) category:*

*Click to view products by [Abracon](#) manufacturer:*

Other Similar products are found below :

[MC405 32.0000K-R3:PURE SN](#) [7B-27.000MBBK-T](#) [MP1-8.0 99-BU](#) [9B-15.360MBBK-B](#) [PTX-A2JM-10.000M](#) [9C-7.680MBBK-T](#) [H10S-12.000-18-EXT-TR](#) [R38-32.768-12.5-5PPM-NPB](#) [BTD1062E05A-513](#) [21U15A-21.4MHZ](#) [RTX-781DF1-S-20.950](#) [LFXTAL066198Cutt](#) [9C-14.31818MBBK-T](#) [A-11.000MHZ-27](#) [SPT2A-.032768B](#) [SPT2A.032768G](#) [SSPT7F-9PF20-R](#) [FX325BS-38.88EEM1201](#) [MP-1-25.000MHZ-3L](#) [MP-1-6.000MHZ](#) [LFXTAL065253Cutt](#) [LFXTAL066431Cutt](#) [XT9S20ANA14M7456](#) [XT9SNLANA16M](#) [646G-24-2](#) [7B-30.000MBBK-T](#) [6504-202-1501](#) [6526-202-1501](#) [BTJ120E02C](#) [SG636PCE-20.000MC](#) [3404](#) [ABL-4.000MHZ-DI](#) [C1E-24.000-7-2020-R](#) [C1E-19.200-12-1530-X-R](#) [C1E-16.000-12-1530-X-R](#) [FL5000014](#) [EUCA18-3.1872M](#) [425F35E027M0000](#) [17196](#) [MS3V-T1R-32.768kHz-7pF-20PPM-TA-QC-Au](#) [VXM7-1C1-16M000](#) [MS1V-T1K-32.768kHz-10pF-20PPM-TA-QC-Au](#) [MS1V-T1K-32.768kHz-12.5pF-20PPM-TA-QC-Au](#) [MS3V-T1R-32.768kHz-9pF-20PPM-TA-QC-Au](#) [17000](#) [17301](#) [16875](#) [ECS-80-18-30B-JEM-TR](#) [ECS-100-10-30B-CKL-TR](#)