

# HC49USM Series



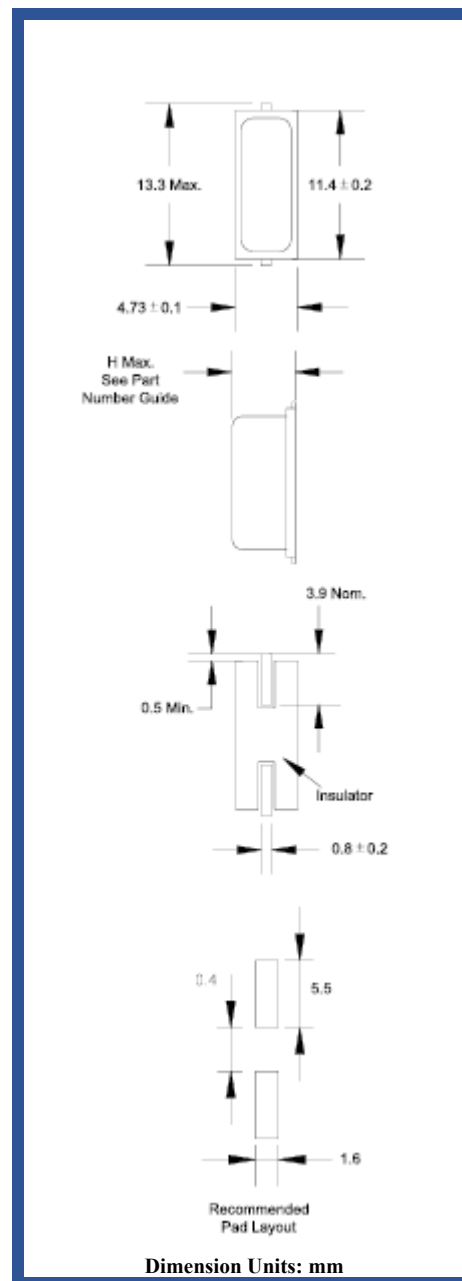
## Product Feature:

Low Cost SMD Package  
 Low ESR  
 Compatible with Leadfree Processing

## Applications:

Fibre Channel  
 Server & Storage  
 Sonet /SDH  
 802.11 / Wifi  
 T1/E1.T3/E3  
 System Clock

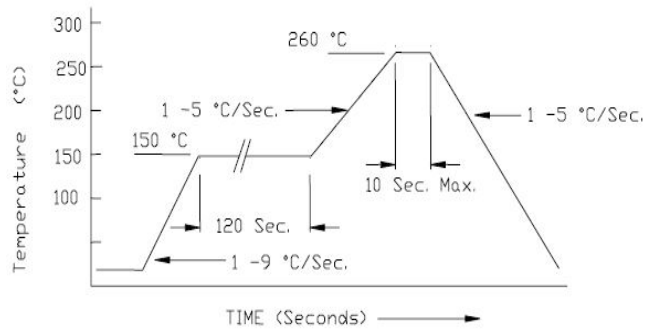
<b>Frequency</b>	3.2 MHz to 100 MHz
<b>ESR (Equivalent Series Resistance)</b>	
3.2 MHz - 3.49 MHz	300 Ω Max.
3.5 MHz - 3.99 MHz	200 Ω Max.
4.0 MHz - 4.99 MHz	150 Ω Max.
5.0 MHz - 5.99 MHz	120 Ω Max.
6.0 MHz - 6.99 MHz	100 Ω Max.
7.0 MHz - 8.9 MHz	80 Ω Max.
9.0 MHz - 12.9 MHz	60 Ω Max.
13 MHz - 19.9 MHz	40 Ω Max.
20 MHz - 36 MHz	30 Ω Max.
36 MHz - 100.0 MHz (3rd O.T.)	100 Ω Max.
<b>Shunt Capacitance (C0)</b>	7 pF Max.
<b>Frequency Tolerance @ 25° C</b>	±30 ppm Standard (see Part Number Guide for more options)
<b>Frequency Stability over Temperature</b>	±50 ppm Standard (see Part Number Guide for more options)
<b>Crystal Cut</b>	AT Cut
<b>Load Capacitance</b>	18 pF Standard (see Part Number Guide for more options)
<b>Drive Level</b>	1 mW Max.
<b>Aging</b>	±5 ppm Max. / Year Standard
<b>Temperature</b>	
<b>Operating</b>	0° C to +70° C Standard (see Part Number Guide for more options)
<b>Storage</b>	-40° C to +85° C Standard



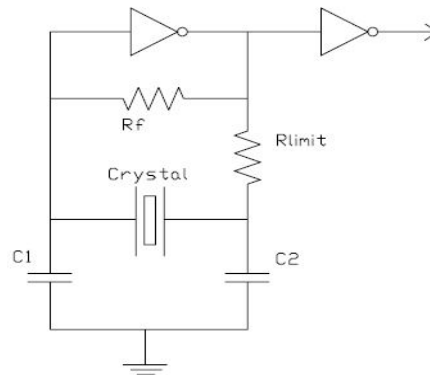
Part Number Guide		Sample Part Number: HC49USM - FB1F18 - 20.000				
Package	Tolerance (ppm) at Room Temperature	Stability (ppm) over Operating Temperature	Operating Temperature Range	Mode (overtone)	Load Capacitance (pF)	Frequency
HC49USM- (4.5 mm H) HC49USM2- (3.5 mm H) HC49USM3- (3.1 mm H)-	B = ±50ppm	A = ±100ppm B = ±50ppm	0 = 0°C to +50°C	F = Fundamental	18pF Standard Or Specify	-20.000 MHz
	F = ±30ppm	F = ±30ppm	1 = 0°C to +70°C	3 = Third Overtone		
	G = ±25ppm	G = ±25ppm	2 = -10°C to +60°C			
	H = ±20ppm	H = ±20ppm	3 = -20°C to +70°C			
	I = ±15ppm	I = ±15ppm	5 = -40°C to +85°C			
J = ±10ppm*	J = ±10ppm	9 = -10°C to +50°C				

\* Not available at all frequencies.

## Pb Free Solder Reflow Profile:



## Typical Circuit:



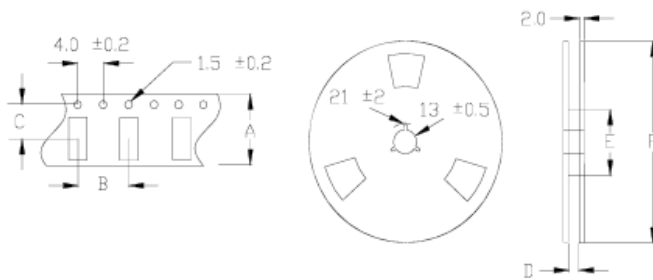
\*Units are backward compatible with 240C reflow processes

## Package Information:

MSL = N/A

Termination = e4 (Sn / Cu/ Ag over Ni over Kovar base metal).

## Tape and Reel Information:



<b>A</b>	<b>24 +/- 0.3</b>
<b>B</b>	<b>12 +/- 0.2</b>
<b>C</b>	<b>11.5 +/- 0.2</b>
<b>D</b>	<b>25 +/- 1.5</b>
<b>E</b>	<b>80/100</b>
<b>F</b>	<b>330</b>
<b>QTY per Reel</b>	<b>1000</b>

## X-ON Electronics

Largest Supplier of Electrical and Electronic Components

*Click to view similar products for [Crystals](#) category:*

*Click to view products by [Abracon](#) manufacturer:*

Other Similar products are found below :

[MC405 32.0000K-R3:PURE SN](#) [7B-27.000MBBK-T](#) [MP1-8.0 99-BU](#) [9B-15.360MBBK-B](#) [PTX-A2JM-10.000M](#) [9C-7.680MBBK-T](#) [H10S-12.000-18-EXT-TR](#) [R38-32.768-12.5-5PPM-NPB](#) [BTD1062E05A-513](#) [21U15A-21.4MHZ](#) [RTX-781DF1-S-20.950](#) [LFXTAL066198Cutt](#) [9C-14.31818MBBK-T](#) [A-11.000MHZ-27](#) [SPT2A-.032768B](#) [SPT2A.032768G](#) [SSPT7F-9PF20-R](#) [FX325BS-38.88EEM1201](#) [MP-1-25.000MHZ-3L](#) [MP-1-6.000MHZ](#) [LFXTAL065253Cutt](#) [LFXTAL066431Cutt](#) [XT9S20ANA14M7456](#) [XT9SNLANA16M](#) [646G-24-2](#) [7B-30.000MBBK-T](#) [6504-202-1501](#) [6526-202-1501](#) [BTJ120E02C](#) [SG636PCE-20.000MC](#) [3404](#) [C1E-24.000-7-2020-R](#) [C1E-19.200-12-1530-X-R](#) [C1E-16.000-12-1530-X-R](#) [FL5000014](#) [EUCA18-3.1872M](#) [425F35E027M0000](#) [17196](#) [MS3V-T1R-32.768kHz-7pF-20PPM-TA-QC-Au](#) [VXM7-1C1-16M000](#) [MS1V-T1K-32.768kHz-10pF-20PPM-TA-QC-Au](#) [MS1V-T1K-32.768kHz-12.5pF-20PPM-TA-QC-Au](#) [MS3V-T1R-32.768kHz-9pF-20PPM-TA-QC-Au](#) [17000](#) [17301](#) [16875](#) [ECS-80-18-30B-JEM-TR](#) [ECS-100-10-30B-CKL-TR](#) [MS1V-T1K-32.768kHz-6pF-20PPM-TA-QC-Au](#)