



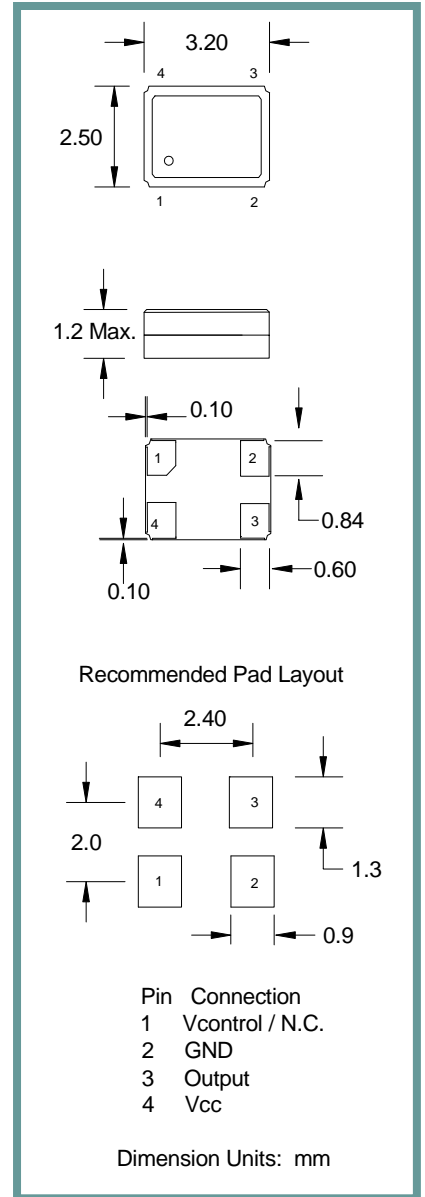
Product Features:

Low Jitter, Non-PLL Based Output
 Available in Both Clipped Sinewave and
 HCMOS Output Levels
 Compatible with Leadfree Processing

Applications:

Server & Storage
 Sonet /SDH
 802.11 / Wifi
 T1/E1, T3/E3
 Fibre Channel

Frequency	8.000 Mhz to 40 Mhz
Output Level Clipped Sinewave HCMOS	0.8 V p-p Min. '0'=0.5 VDC Max., '1'=0.8Vcc Min.
Output Load Clipped Sinewave HCMOS	10K Ohms / 10 pF 15pF
Duty Cycle (HCMOS)	50% ±10%
Rise / Fall Time (HCMOS)	10 nS Max.
Frequency Stability Vs Temperature Vs Voltage Vs Load(5%)	See Frequency Stability Table ± 0.3 ppm Max. ±0.2 ppm Max.
Frequency Tolerance @ 25° C	± 1.0 ppm
Aging	± 1 ppm / Year Max.
Supply Voltage	See Supply Voltage Table , tolerance ± 5%
Current	2.0 mA Max. (Clipped Sinewave) 6.0 mA Max. (HCMOS)
Voltage Control (I737/I738)	1.5 VDC ± 1.0 VDC, ± 5.0 ppm Min.
Operating	See Operating Temperature Table
Storage	-40° C to +85° C
Phase Noise (Typ. @ 20 Mhz)	-86 dBc/Hz @ 10 Hz -115 dBc/Hz @ 100 Hz -138 dBc/Hz @ 1KHz -146 dBc/Hz @ 10 KHz

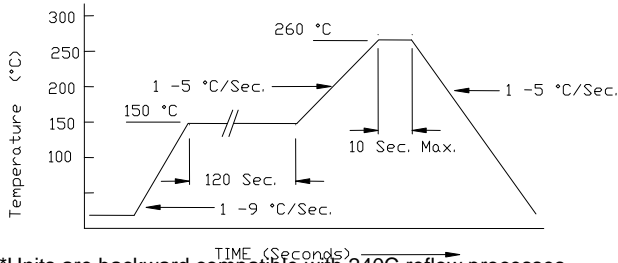


Part Number Guide		Sample Part Number: I537-1Q3-20.000 Mhz		
Package	Operating Temperature	Frequency Stability vs Temperature	Supply Voltage	Frequency
I537 (Clipped Sinewave TCXO)	7 = 0° C to +50° C	**N = ±1.0 ppm	3 = 3.3 V	- 20.000 MHz
I538 (HCMOS TCXO)	1 = 0° C to +70° C	**O = ±1.5 ppm	7 = 3.0 V	
I737 (Clipped Sinewave TCVCXO)	3 = -20° C to +70° C	**P = ±2.0 ppm	2 = 2.7 V	
I738 (HCMOS TCVCXO)	2 = -40° C to +85° C	Q = ±2.5 ppm		
		R = ±3.0 ppm		
		J = ±5.0 ppm		

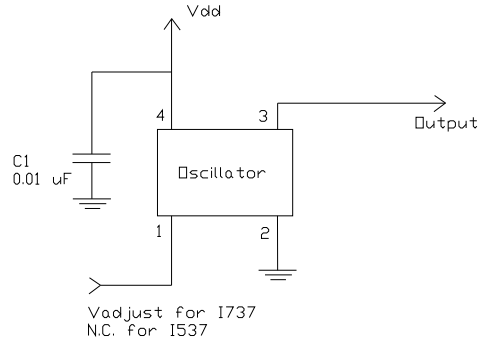
NOTE: A 0.01 µF bypass capacitor is recommended between Vcc (pin 4) and GND (pin 2) to minimize power supply noise.
 ** Not available for all temperature ranges.

Pb Free Solder Reflow Profile:

Typical Application:



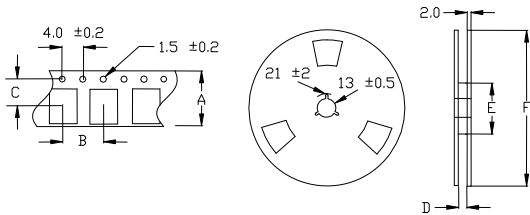
*Units are backward compatible with 240C reflow processes



Package Information:

MSL = N.A. (package does not contain plastic, storage life is unlimited under normal room conditions).
Termination = e4 (Au over Ni over W base metalization).

Tape and Reel Information:



Quantity per Reel	1000
A	8 +/- .3
B	4 +/- .2
C	3.5 +/- .2
D	9 +/- .1 or 12 +/- .3
E	60 / 80
F	180

Environmental Specifications

Thermal Shock	MIL-STD-883, Method 1011, Condition A
Moisture Resistance	MIL-STD-883, Method 1004
Mechanical Shock	MIL-STD-883, Method 2002, Condition B
Mechanical Vibration	MIL-STD-883, Method 2007, Condition A
Resistance to Soldering Heat	J-STD-020C, Table 5-2 Pb-free devices (except 2 cycles max)
Hazardous Substance	Pb-Free / RoHS / Green Compliant
Solderability	JESD22-B102-D Method 2 (Preconditioning E)
Terminal Strength	MIL-STD-883, Method 2004, Test Condition D
Gross Leak	MIL-STD-883, Method 1014, Condition C
Fine Leak	MIL-STD-883, Method 1014, Condition A2, R1=2x10 ⁻⁸ atm cc/s
Solvent Resistance	MIL-STD-202, Method 215

Marking

Line 1: I - Date Code (YWW)
Line 2: Frequency

X-ON Electronics

Largest Supplier of Electrical and Electronic Components

Click to view similar products for [Abracon](#) manufacturer:

Other Similar products are found below :

[FOXLF049-20](#) [ABLJO-V-100.000MHz](#) [ABLJO-V-155.520MHZ](#) [ABM3-28.63636MHZ-D2Y-T](#) [HC49USM-FF3F18-25.0000](#) [HC49USM-FF5F18-25.0000](#) [HC49USM-FF5F18-7.3728](#) [AIRD-03-4R7M](#) [AOCJY-10.000MHz](#) [ARJM11D7-104-AB-EW2](#) [ASA2-25.000MHZ-L-T](#) [ASEMPLP- ADAPTER-KIT](#) [ASFLMPLV- ADAPTER-KIT](#) [ASG-D-V-A-1.000GHZ](#) [AST3TQ53-V-20.000MHz-5-C](#) [AXS-5032-04-02](#) [ABL-19.6608MHZ-B2](#) [ABL-3.6864MHZ-B2](#) [ABLS-24.576MHZ-B2F-T](#) [ABM10-24.000MHZ-E20-T](#) [ABM2-48.000MHZ-D4YF-T](#) [ABM3-24.000MHZ-D2Y-T](#) [ABM3B-12.800MHZ-10-1-U-T](#) [ABM8-14.7456MHZ-10-1-U-T](#) [ABM8G-24.000MHZ-B4Y-T](#) [ACML-0805-800-T](#) [AIAP-03-102K](#) [AIRD-06-101K](#) [AOCJY6-10.000MHz-1](#) [HC49US-FF3F18-27.0000](#) [HC49US-FF5F18-16.0000](#) [ARJM11B1-805-AB-EW2](#) [ASE-33.000MHZ-LC-T](#) [ASEMB-27.000MHZ-XY-T](#) [ASFL1-125.000MHZ-EC-T](#) [ASHEK2-32.768KHZ-LT](#) [ASPI-4030S-2R2N-T](#) [ASPI-6045S-2R7N-T](#) [ASV-7.3728MHZ-EJ-T](#) [ATCA-08-471M-H](#) [AXS-5032-04-12](#) [AIML-0805-470K-T](#) [ASTMLPA1816.000MHZEJET](#) [ASTMLPE1824.000MHZEJET](#) [ASTMTXK-32.768KHZ-LG-T](#) [ASV-16.384MHZ-E-T](#) [ART915X252503MA-IC](#) [FOXSLF/115-20](#) [ABM10-20.000MHZ-E20-T](#) [FOXSDLF/080R-20/TR](#)