

# MIH Series

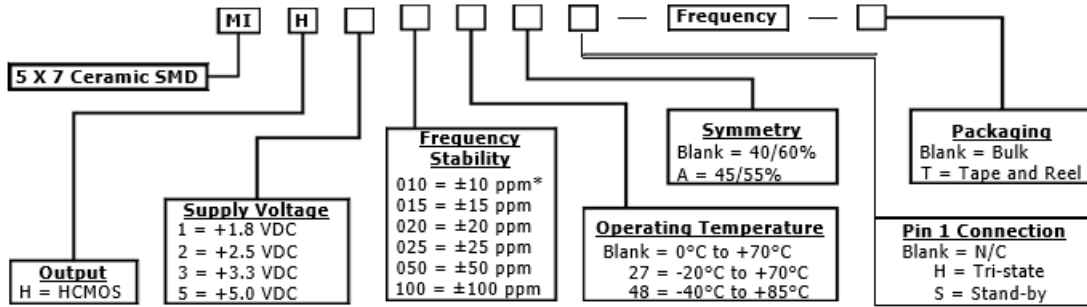


- **Low Profile SMD Package**
- **Hermetically Sealed**
- **RoHS Compliant**
- **Wide Frequency Range**



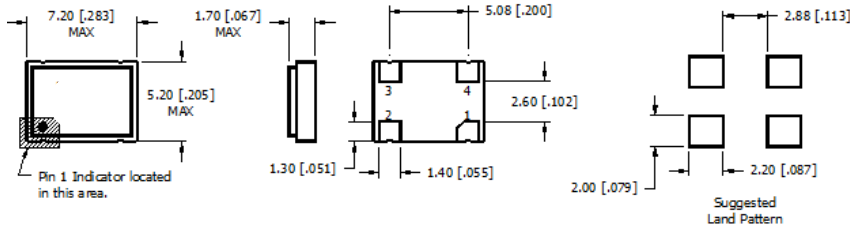
Frequency Range	1.500MHZ to 156.250MHZ			
Temperature Stability*	(See Part Number Guide for Options)			
Operating Temperature Range	(See Part Number Guide for Options)			
Storage Temperature Range	-55°C to +125°C			
Aging (+25°C ±3°C)	±5ppm for first year			
Waveform	HCMOS			
Supply Voltage ±5% (Vdd)	+1.80 VDC	+2.50 VDC	+3.30 VDC	+5.00 VDC
Supply Current	15mA	40mA	40mA	70mA
Load	15pF	15pF	10 TTL Gates or 30pF	10 TTL Gates or 50pF
Logic "0"	10% Vdd max			
Logic "1"	90% Vdd min			
Rise/Fall Time (10% to 90% of Supply Voltage)	4nSec			
Symmetry (50% of waveform)	40%/60% (45%/55% optional)			
Start-up Time	10mSec max			
Jitter (RMS)	Less than 1 pSec			
Tri-State Operation	Vih = 70% of Vdd min to Enable Output Vil = 30% max or grounded to Disable Output (High Impedance)			
Standby Current Consumption	10uA			
* Inclusive of Temperature., Load and Voltage				

### Part Number Guide



Please Consult with MMD Sales Department for any other Parameters or Options  
\* Not available in +1.8 VDC and +2.5 VDC

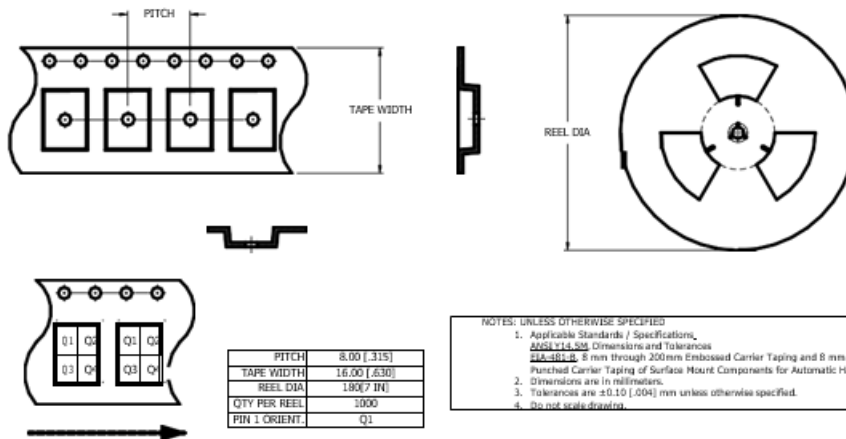
### Mechanical Details



Pin Connections	
Pin 1	N/C, Tri-state or Stand by
Pin 2	Case Ground
Pin 3	Output
Pin 4	Supply Voltage

- Notes:
1. Dimensions in brackets are in inches.
  2. An External Bypass Capacitor is recommended.
  3. Pads plating  
Base or under conductor Ni thickness: 1.3 um to 8.8 um  
Final plating: Au (99.9%) less than 0.5 um, 0.3 um typ

### Tape & Reel Dimensions



## X-ON Electronics

Largest Supplier of Electrical and Electronic Components

*Click to view similar products for [Standard Clock Oscillators](#) category:*

*Click to view products by [Abracon](#) manufacturer:*

Other Similar products are found below :

[601252](#) [F335-25](#) [F535L-33.333](#) [F535L-50](#) [ASV-20.000MHZ-LR-T](#) [MXO45HS-2C-66.6666MHZ](#) [NBXDBB017LN1TAG](#) [SiT1602BI-22-33E-50.000000E](#) [SiT8209AI-32-33E-125.000000](#) [SIT8918AA-11-33S-50.000000G](#) [SM4420TEV-40.0M-T1K](#) [SMA4306-TL-H](#) [F335-24](#) [F335-40](#) [F535L-10](#) [F535L-12](#) [F535L-16](#) [F535L-24](#) [F535L-27](#) [PE7744DW-100.0M](#) [CSX-750FCC14745600T](#) [ASF1-3.686MHZ-N-K-S](#) [ASV-4.000MHZ-LCS-T](#) [XLH735025.000JU4I8](#) [XLP725125.000JU6I8](#) [XO57CTECNA3M6864](#) [601251](#) [EP16E7E2H26.000MTR](#) [SiT8503AI-18-33E-0.200000X](#) [SIT8918AA-11-33S-16.000000G](#) [SIT9122AI2C233E300.000000X](#) [XO37CTECNA20M](#) [XO3003](#) [9120AC-2D2-33E212.500000](#) [9102AI-243N25E100.00000](#) [8208AC-82-18E-25.00000](#) [8008AI-72-XXE-24.545454E](#) [8004AC-13-33E-133.33000X](#) [AS-4.9152-16-SMD-TR](#) [ASFL1-48.000MHZ-LC-T](#) [632L3I004M00000](#) [SIT8920AM-31-33E-25.0000](#) [DSC1028DI2-019.2000](#) [9121AC-2C3-25E100.00000](#) [9102AI-233N33E100.00000X](#) [9102AI-233N25E200.00000](#) [9102AI-232H25S125.00000](#) [9102AI-133N25E200.00000](#) [9102AC-283N25E200.00000](#) [9001AC-33-33E1-30.000](#)