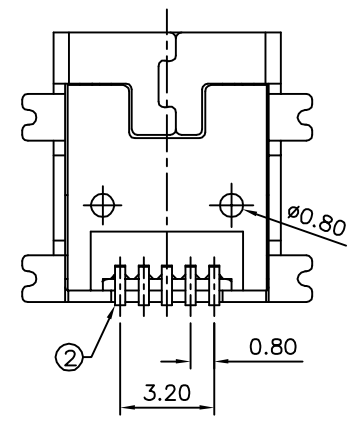
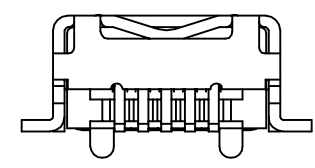
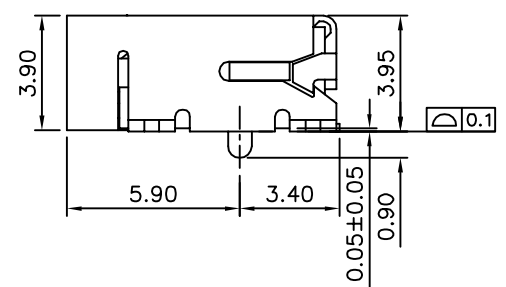
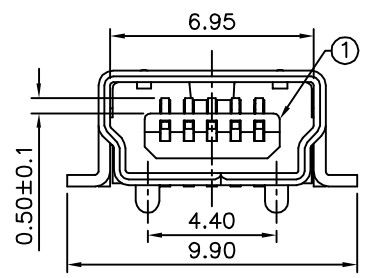


Recommended P.C.B. Layout
(PCB Board Tolerance ± 0.05)



RoHS Compliant

No.	Description	Q'ty	Material	Remark
①	Housing	1	Thermoplastic, UL94V-0	Black
②	Contact	1	Copper Alloy	Gold Plated 30u" On Contact Area, Tin Plated On Solder Tails, Over Nickel
③	Shell	1	Copper Alloy	Tin Plated Over Nickel
④	Mylar	1	8.2X6mm	Yellow

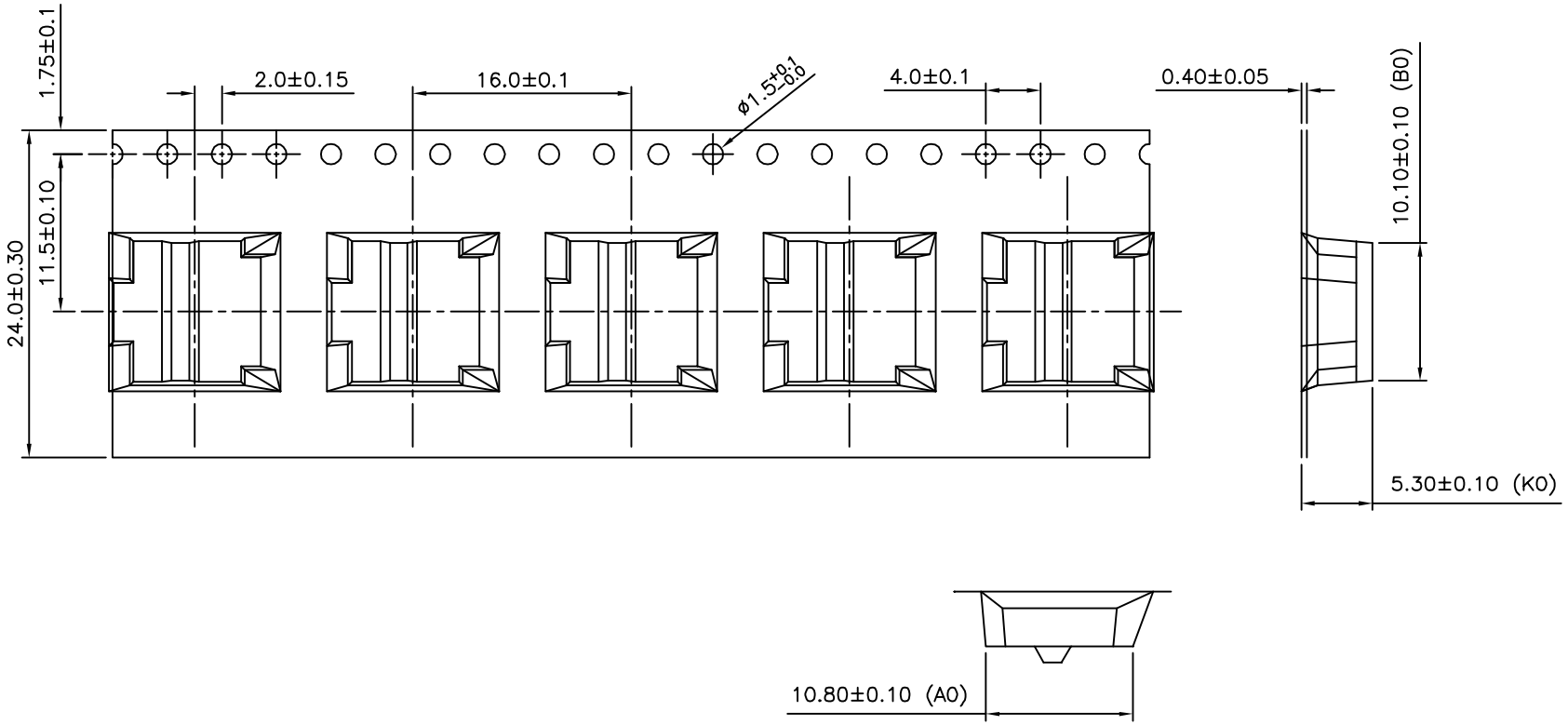
4UCON 元化興業股份有限公司
4UCON TECHNOLOGY INC.

DRAWING No.		APPROVED BY		UNLESS OTHERWISE SPECIFIED TOLERANCES ARE .X ±0.25 X.* ±5" .XX ±0.13 .X.* ±2" .XXX ±0.08 .XX.* ±1"
14850		MEI		
		CHECKED BY		
		HZF		
		DRAWING BY		
		SONG		
SCALE	NONE	REV.	A0	UNIT mm

NO.	REV.	REVISIONS	CHK	DATE
△ A0		NEW RELEASE	HZF	09/27/2011

SPECIFICATION

10 Sprocket Hole Pitch Cumulative Tolerance $\pm 0.2\text{mm}$
 Carrier Camber Not To Exceed 1mm In 100mm
 AO And B0 Measured On A Plane 0.3mm Above The Bottom Of The Pocket
 KO Measured From A Plane On The Inside Bottom Of The Pocket To The Top Surface Of The Carrier
 All Dimensions Meet EIA-481-C Requirements
 Material: Transtang ANTI-Static Polystyrene
 Packing Length Per 13" Reel: 14 M
 Component Load Per 13" Reel: 800 PCS
 RoHS Compliant



4UCON 元化興業股份有限公司
 4UCON TECHNOLOGY INC.

DRAWING No.		APPROVED BY		UNLESS OTHERWISE SPECIFIED TOLERANCES ARE
14850		MEI		
		CHECKED BY		
SCALE		DRAWING BY		.X ± 0.30 X" $\pm 5^\circ$
NONE		SONG		.XX ± 0.20 .X" $\pm 2^\circ$
REV.		AO		.XXX ± 0.10 .XX" $\pm 1^\circ$
				UNIT
				mm

NO.	REV.	REVISIONS	CHK	DATE
△	A0	NEW RELEASE	HZF	09/27/2011

X-ON Electronics

Largest Supplier of Electrical and Electronic Components

Click to view similar products for [Interface Development Tools](#) category:

Click to view products by [Adafruit](#) manufacturer:

Other Similar products are found below :

[DP130SSEVM](#) [ISO3086TEVM-436](#) [ADP5585CP-EVALZ](#) [CHA2066-99F](#) [AS8650-DB](#) [I2C-CPEV/NOPB](#) [ISO35TEVM-434](#)
[XR18910ILEVB](#) [XR21B1421IL28-0A-EVB](#) [EVAL-ADM2491EEBZ](#) [MAXREFDES23DB#](#) [MAX9286COAXEVKIT#](#) [MAX3100EVKIT](#)
[MAX13235EEVKIT](#) [MAX14970EVKIT#](#) [XR21B1424IV64-0A-EVB](#) [CMOD232+](#) [MAX13042EEVKIT+](#) [MAX14838EVKIT#](#)
[MAXCAM705OV635AAA#](#) [MAX9205EVKIT](#) [DS100BR111AEVK/NOPB](#) [DC241C](#) [MAX9286RCARH3DB#](#) [MAX13035EEVKIT+](#)
[DC1794A](#) [SN65HVS885EVM](#) [EVB81112-A1](#) [DFR0257](#) [ZLR964122L](#) [ZLR88822L](#) [DC196A-B](#) [DC196A-A](#) [DC327A](#) [OM13585UL](#)
[MAX16972AGEEVKIT#](#) [MARS1-DEMO3-ADAPTER-GEVB](#) [PIM511](#) [PIM536](#) [PIM517](#) [DEV-17512](#) [STR-FUSB3307MPX-PPS-GEVK](#)
[MAXREFDES177#](#) [EVAL-ADN4654EBZ](#) [MAX9275COAXEVKIT#](#) [MAX2202XEVKIT#](#) [MAX13171EEVKIT+](#) [MAX7322EVKIT+](#)
[MAX9281COAXEVKIT#](#) [MAX96715COAXEVKIT#](#)