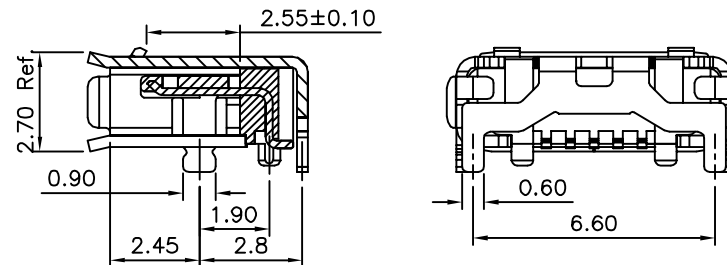
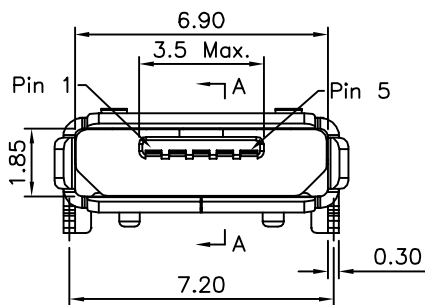
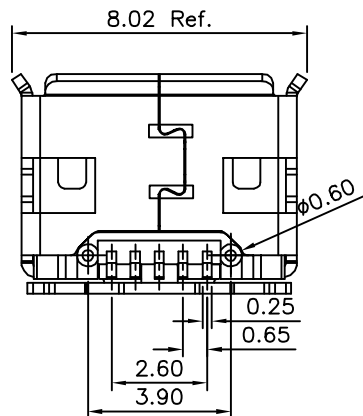


Recommended P.C.B. Layout (Top View)
(PCB Board Tolerance ±0.05)



Section A-A



SPECIFICATION
 ⚠ Power Supply: 1.8 Amp (Pin 1, 5), Other Contacts 0.5 Amp
 Voltage: 30V Max.
 Withstanding Voltage: 100V AC
 Insulation Resistance: 100 Megaohms Min.
 Contact Resistance: 30 Milliohms Max.
 40 Milliohms Max. After 10000 Cycles
 Temperature Range: -30°C ~ +80°C
 Mating Force: 35N Max.
 Withdrawal Force: 10N Min.
 Durability: 10000 Cycles Min.
 8~20N After 10000 Cycles
 Insulator: LCP+30%G.F. (UL94V-0)
 Contact: Brass
 Gold Flash Over All, Over Nickel
 ⚠ Shell: SUS301, Nickel Plated Over All
 RoHS Compliant

4UCON 元化興業股份有限公司
 4UCON TECHNOLOGY INC.

DRAWING No.

20329

APPROVED BY

EMILY

CHECKED BY

HZF

DRAWING BY

SONG

SCALE

NONE

REV.

A3

UNLESS OTHERWISE SPECIFIED TOLERANCES ARE

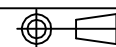
.X ±0.38 .X* ±2*

.XX ±0.25 .XX* ±1*

.XXX ±0.13 .XXX* ±0.5*

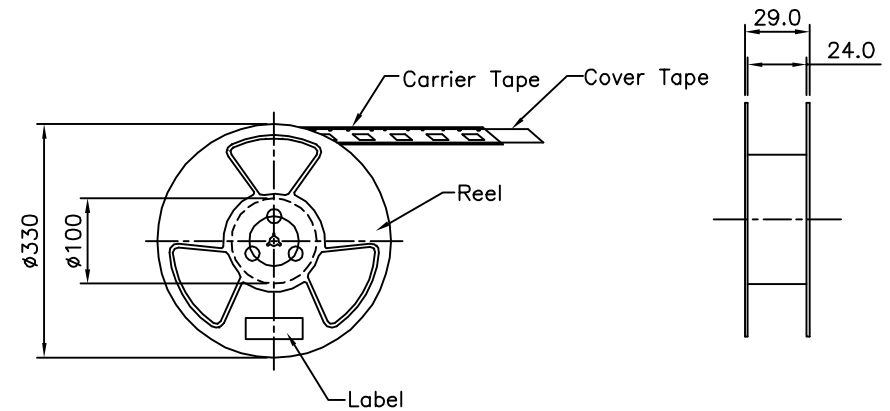
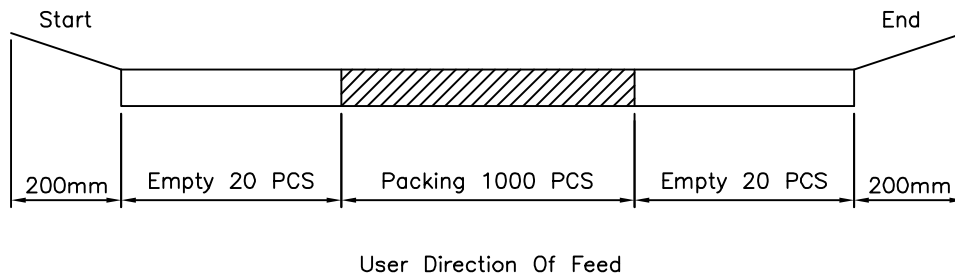
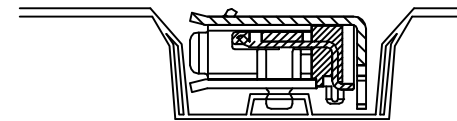
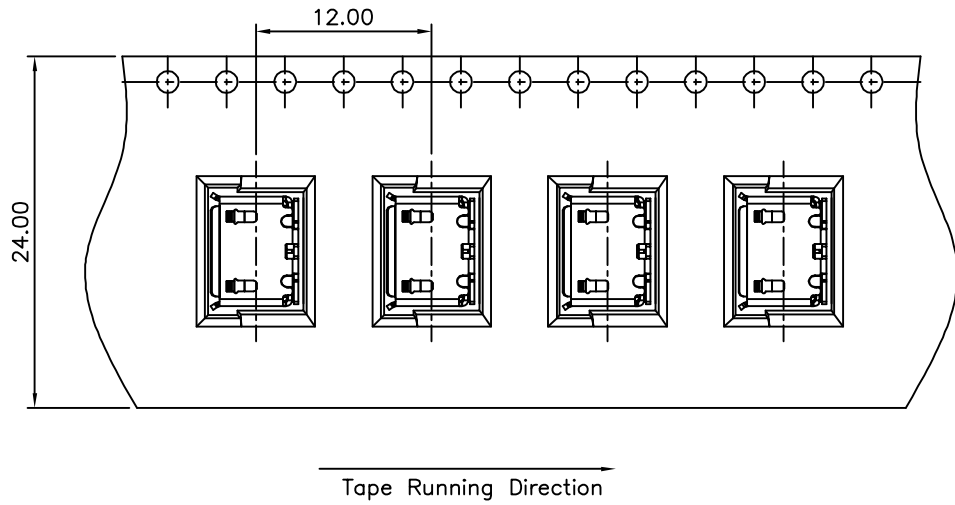
UNIT

mm



NO.	REV.	REVISIONS	CHK	DATE
⚠	A3	Modify Data	HZF	04/09/2013
⚠	A2	Modify Data	HZF	02/20/2012
⚠	A1	Modify Spec.	HZF	12/29/2011
⚠	A0	NEW RELEASE	HZF	06/13/2011

SPECIFICATION
 Reel: $\phi 330 \times 29$ mm
 Q'ty: 1000 PCS/Reel
 RoHS Compliant



4UCON 元化興業股份有限公司
 4UCON TECHNOLOGY INC.

DRAWING No.
 20329

APPROVED BY
 EMILY
 CHECKED BY
 HZF
 DRAWING BY
 SONG

UNLESS OTHERWISE SPECIFIED TOLERANCES ARE
 .X ± 0.38
 .XX ± 0.25
 ANG.

SCALE NONE REV. A3

NO.	REV.	REVISIONS	CHK	DATE
A3		Modify Data	HZF	04/09/2013
A2		Modify Data	HZF	02/20/2012
A1		Modify Spec.	HZF	12/29/2011
A0		NEW RELEASE	HZF	06/13/2011



X-ON Electronics

Largest Supplier of Electrical and Electronic Components

Click to view similar products for [Interface Development Tools](#) category:

Click to view products by [Adafruit](#) manufacturer:

Other Similar products are found below :

[DP130SSEVM](#) [ISO3086TEVM-436](#) [ADP5585CP-EVALZ](#) [CHA2066-99F](#) [AS8650-DB](#) [MLX80104 TESTINTERFACE](#) [I2C-CPEV/NOPB](#)
[ISO35TEVM-434](#) [416100120-3](#) [XR18910ILEVB](#) [XR21B1421IL28-0A-EVB](#) [EVAL-ADM2491EEBZ](#) [MAXREFDES23DB#](#)
[MAX9286COAXEVKIT#](#) [MAX3100EVKIT](#) [MAX13235EEVKIT](#) [MAX14970EVKIT#](#) [XR21B1424IV64-0A-EVB](#) [CMOD232+](#)
[MAX13042EEVKIT+](#) [MAX14838EVKIT#](#) [MAXCAM705OV635AAA#](#) [MAX9205EVKIT](#) [DS100BR111AEVK/NOPB](#) [DC241C](#)
[MAX9286RCARH3DB#](#) [MAX13035EEVKIT+](#) [DC1794A](#) [SN65HVS885EVM](#) [EVB81112-A1](#) [DFR0257](#) [ZLR964122L](#) [ZLR88822L](#)
[DC196A-B](#) [DC196A-A](#) [DC327A](#) [OM13585UL](#) [MAX16972AGEEVKIT#](#) [MARS1-DEMO3-ADAPTER-GEVB](#) [MAX7315EVKIT+](#) [PIM511](#)
[PIM536](#) [PIM517](#) [DEV-17512](#) [STR-FUSB3307MPX-PPS-GEVK](#) [MAXREFDES177#](#) [EVAL-ADM2567EEBZ](#) [EVAL-ADN4654EBZ](#)
[MAX9275COAXEVKIT#](#) [MAX2202XEVKIT#](#)