



CHINA INTERNATIONAL CO.  
SHENZHEN FURUIER PHOTOELECTRIC CO., LTD.

---

## SPECIFICATION FOR APPROVAL

CUSTOMER :

ARTICLE : 10mm RGB diffused with common anode LED

PART NO : FLR-100WAS-RGB

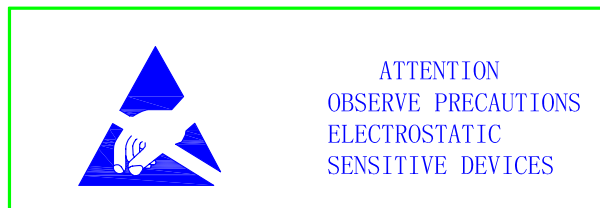
DATE : 2012-04-19

CUSTOMER MODEL :

RoHS PRODUCT

## Authorized Signature

\_\_\_\_\_  
\_\_\_\_\_



**∅Absolute Maximum Rating**

| Item                       | Symbol | Absolute Maximum Rating | Unit |
|----------------------------|--------|-------------------------|------|
| Forward Current            | IF     | 20                      | mA   |
| Peak Forward Current       | IFP    | 80/120/120              | mA   |
| Reverse Voltage            | VR     | 5                       | V    |
| Power Dissipation          | PD     | 60/80/80                | mW   |
| Operation Temperature      | Topr   | -35~+80                 | ℃    |
| Storage Temperature        | Tstg   | -40~+80                 | ℃    |
| Lead Soldering Temperature | Tsol   | Max. 260° for 3sec Max. |      |

\*IFP Conditions:Pulse Width≤10msec duty≤1/10

\*Tsol Conditions:4mm from the base of the epoxy bulb

**∅TypicalOptical/ElectricalCharacteristics**

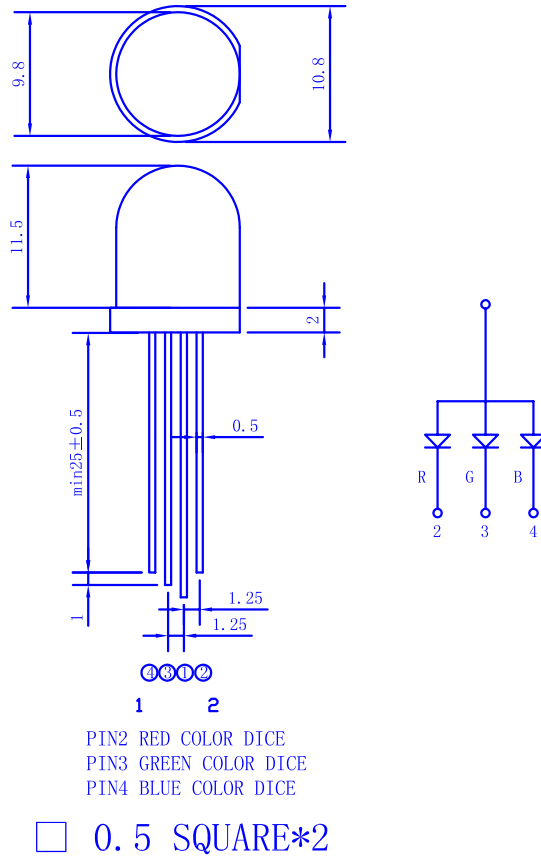
| Item                      | Symbol  | Condition | Min.         | Typ.         | Max.        | Unit |
|---------------------------|---------|-----------|--------------|--------------|-------------|------|
| Forward Voltage           | VF      | IF=20mA   | 1.8/3.0/3.0  | 2.0/3.2/3.2  | 2.2/3.4/3.4 | V    |
| Reverse Current           | IF      | VR=5V     | --           | --           | 5           | uA   |
| 50% Power Angle           | 2 θ 1/2 | IF=20mA   | --           | 50/50/50     | --          | deg  |
| Luminous Intensity        | IV      | IF=20mA   | 500/1400/600 | 700/2100/900 | --          | mcd  |
| Peak Wavelength           | λ p     | IF=20mA   | 620/520/465  | 623/523/467  | 625/525/470 | nm   |
| Recommend Forward Current | IF(rec) | --        | --           | 10~20        | --          | mA   |

**Notes:**

1. Absolute maximum ratings Ta=25° C .
2. Tolerance of measurement of forward voltage±0.1V.
3. Tolerance of measurement of peak Wavelength±2.0nm.
4. Tolerance of measurement of luminous intensity±15%.



Package Dimensions And Materials



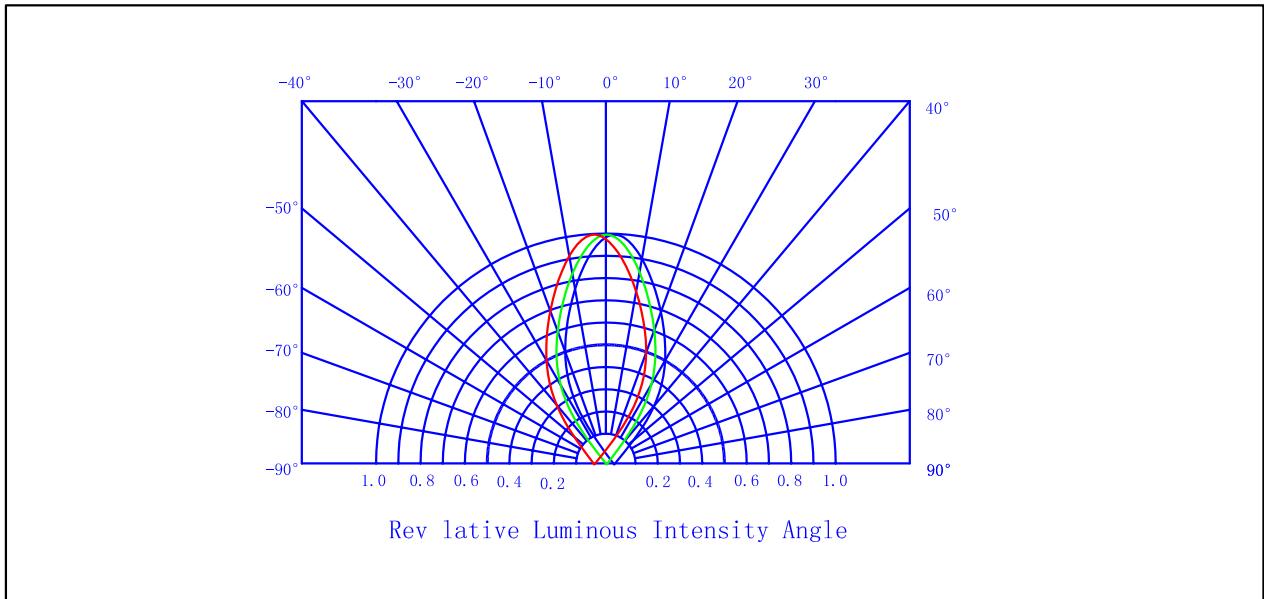
| Chip          |                | Lens Color     |
|---------------|----------------|----------------|
| Dice Material | Emitting Color |                |
| AlGaInP       | RED            | WHITE DIFFUSED |
| InGaN         | GREEN          |                |
| InGaN         | BLUE           |                |

Notes:

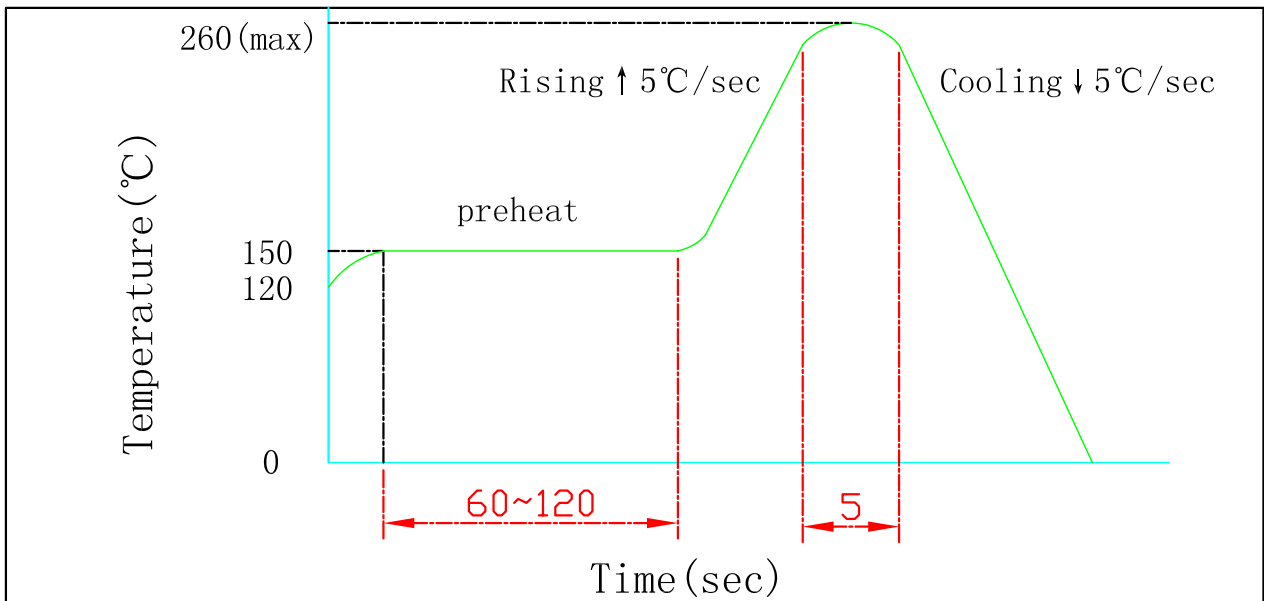
1. All dimension units are millimeters
2. All dimension tolerance is  $\pm 0.2\text{mm}$  unless otherwise noted
3. An epoxy meniscus may extend about 1.5mm down the leads
4. Burr around bottom of epoxy may be 0.5mm max



### ∅Spatial Distribution



### ∅Reflow Temp/Time



### ∅Soldering iron

Basic spec is  $\leq 5$ sec when 260°C. If temperature is higher, time should be shorter (+10°C-1sec) Power dissipation of iron should be smaller than 15W, and temperatures should be controllable. surface temperature of the device should be under 230°C



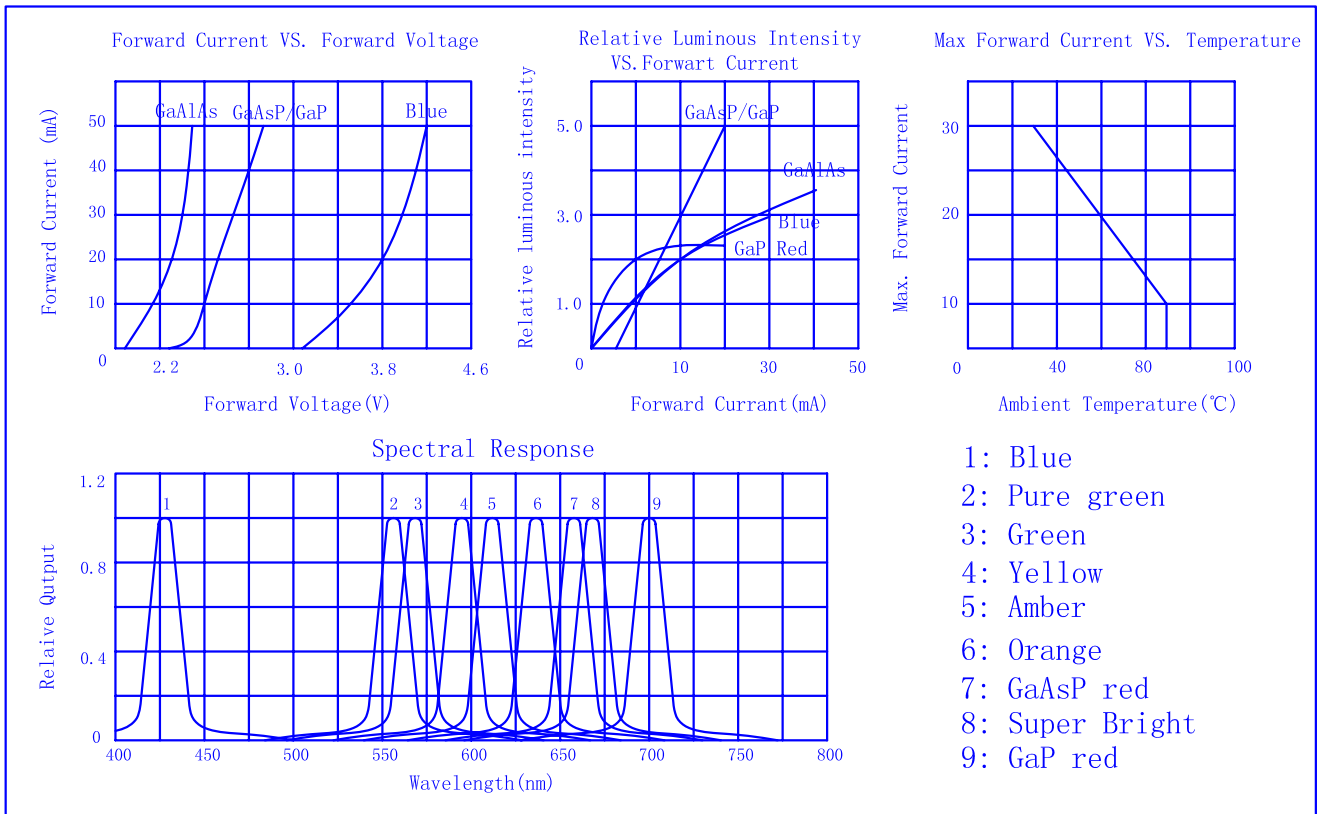
Electro-Optical Characteristic (Ta=25°C)

| PARAMETER               | SYMBOL | TEST CONDITIONS | Green |      | Orange |      | GaP Red |      | HI-EFF |      | Yellow |      | GaAlAs |      | Blue |      | UNIT |
|-------------------------|--------|-----------------|-------|------|--------|------|---------|------|--------|------|--------|------|--------|------|------|------|------|
|                         |        |                 | TYP.  | MAX. | TYP.   | MAX. | TYP.    | MAX. | TYP.   | MAX. | TYP.   | MAX. | TYP.   | MAX. | TYP. | MAX. |      |
| Forward Voltage         | VF     | IF=20mA         | 2.3   | 2.8  | 2.2    | 2.8  | 2.3     | 2.8  | 2.2    | 2.8  | 2.2    | 2.8  | 1.8    | 2.5  | 3.5  | 4.5  | V    |
| Reverse Current         | IR     | VR=5V           |       | 100  |        | 100  |         | 100  |        | 100  |        | 100  |        | 100  |      | 100  | uA   |
| Wavelength              | λ P    | IF=20mA         | 570   |      | 635    |      | 700     |      | 625    |      | 590    |      | 660    |      | 430  |      | nm   |
| Spectral Line Halfwidth | Δ λ    | IF=20mA         | 30    |      | 35     |      | 100     |      | 35     |      | 35     |      | 20     |      | 30   |      | nm   |

Absolute Maximum Ratings (Ta=±25°C)

| PARAMETER                               | Green          | Orange | Gap Red | HI-EFF | Yellow | GaAlAs | Blue | UNIT |
|---|----------------|--------|---------|--------|--------|--------|------|------|
| Reverse Voltage Per Segment or D.P.     | 5              | 5      | 5       | 5      | 5      | 5      | 5    | V    |
| Average Forward Current (IF)            | 25             | 25     | 25      | 25     | 25     | 30     | 50   | mA   |
| Peak Forward Current Per Segment Or Dp  | 200            | 200    | 200     | 200    | 200    | 200    | 200  | mA   |
| Power Dissipation                       | 85             | 85     | 85      | 85     | 85     | 100    | 120  | mW   |
| Operating Temperature Range             | -35°C ~ +80°C  |        |         |        |        |        |      |      |
| Recommend Storage Temperature Range     | -35°C ~ +80°C  |        |         |        |        |        |      |      |
| Lead Solder Temperature (4mm From Body) | 260°C for 3sec |        |         |        |        |        |      |      |
| Life                                    | 100000H        |        |         |        |        |        |      |      |

Typical Electron-Optical Characteristic Curves 25°C  
Free Air Temperature Unless Otherwise Specified



Add: Rd. HuaChang Nan. Tongfuyu Zone. Dalang. Longhua. Baoan District. Shenzhen. China.

Http://www.furuier.en.alibaba.com E-mail: ledmarket@furuier.com Rev:A0 Page:5 of 5

Tel: 86-755-61563456

Fax: 86-755-61568736

## X-ON Electronics

Largest Supplier of Electrical and Electronic Components

*Click to view similar products for [Adafruit Accessories](#) category:*

*Click to view products by [Adafruit](#) manufacturer:*

Other Similar products are found below :

[3209](#) [3561](#) [3560](#) [3562](#) [2503](#) [3011](#) [3048](#) [2973](#) [2868](#) [2958](#) [2836](#) [2968](#) [3610](#) [3568](#) [3551](#) [2858](#) [3353](#) [3584](#) [3484](#) [2865](#) [3556](#) [3559](#) [3262](#)  
[3348](#) [2499](#) [2878](#) [2963](#) [3219](#) [3005](#) [2882](#) [PGM1202](#) [02-LDR1](#) [02-LDR12](#) [02-LDR13](#) [02-LDR14](#) [02-LDR15](#) [02-LDR2](#) [02-LDR3](#) [02-LDR4](#)  
[2194](#) [862](#) [460](#) [905](#) [02-LDR20](#) [02-LDR21](#) [02-LDR22](#) [02-LDR23](#) [1008](#) [1020](#) [1031](#)