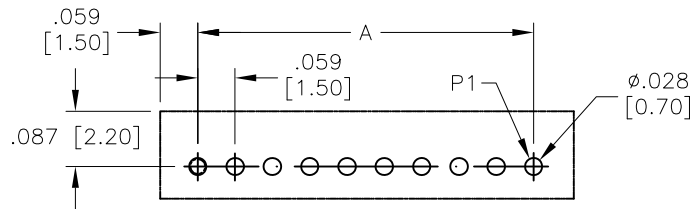
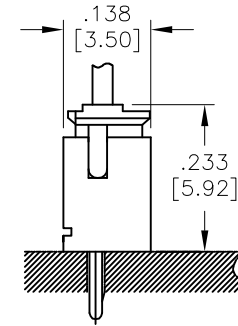
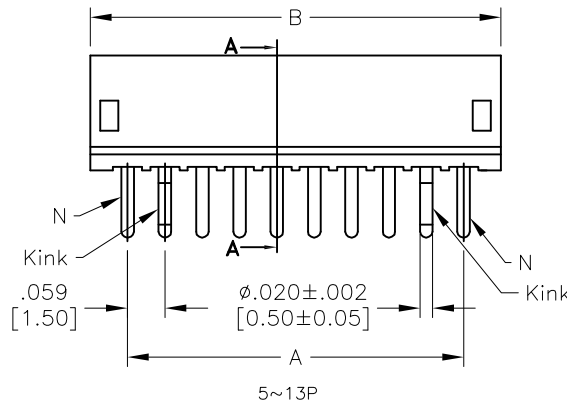
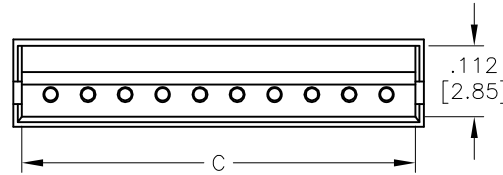


APPROVED: \_\_\_\_\_  
 DATE: \_\_\_\_\_ TITLE: \_\_\_\_\_

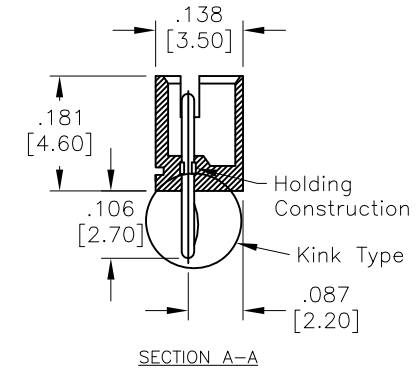
Rev	AWO #	Description	Date	Appr
-		RELEASED	8/14/09	
A		ADDED DIM.	4/6/11	
B		ADDED CONTACTS TOLERANCES	11/5/15	AY/RT
C		UPDATE DRAWING	5/16/18	AY/MY



RECOMMENDED PCB LAYOUT



RECOMMENDED ASSEMBLY DIM.



SECTION A-A

Circuit	Kink					
	Circuit No.					
	1	2	3	4	5	6~13
2	Kink	Kink				
3	Kink		Kink			
4	Kink			Kink		
5~13	N	Kink			Kink	N

**SPECIFICATIONS:**

Material:  
 Insulator: Nylon 66, rated UL 94V-0  
 Insulator color: Beige  
 Contacts: Brass

**Plating:**  
 Tin over Nickel underplate overall

**Electrical:**  
 Voltage rating: 50 V AC/DC  
 Current rating: 1 A AC/DC  
 Contact resistance: 20 mohms max  
 Insulation resistance: 500 Mohms min  
 Dielectric withstanding voltage: 500 VAC for 1 minute

**Temperature Rating:**  
 Operating temperature: -25°C to +85°C

Environmental:  
 Lead free, RoHS compliant.



Positions: 2 thru 13  
 A=.059 [1.50] X No. of Spaces  
 B=.059 [1.50] X No. of Positions + .059 [1.50]  
 c=.059 [1.50] X No. of Positions + .024 [0.60]

UNLESS OTHERWISE SPECIFIED ALL DIMENSIONS ARE INCHES [MM] TOLERANCES: EXCEPT AS NOTED		<b>ADAM TECH</b>		909 Rahway Avenue, Union, NJ 07083 Phone: 908-687-5000 Fax: 908-687-5710	
INCHES		HOLES		TITLE	
.X ± .10	Ø.X ± .10	.059 [1.50] VERTICAL HEADER			
.XX ± .020	Ø.XX ± .015	APPROVALS		DATE	
.XXX ± .015	Ø.XXX ± .010	DRAWN	DY	8/14/09	
DRAWN		CHECKED		SIZE	
APPROVED		APPROVED		X	
REF: S00124T		SCALE: NTS		PART NO. 15SH-A-XX-TS	
SHEET 1 OF 1		REV. C			

6

5

4

3

2

1

6

5

4

3

2

1

## X-ON Electronics

Largest Supplier of Electrical and Electronic Components

*Click to view similar products for [Headers & Wire Housings](#) category:*

*Click to view products by [Adam](#) manufacturer:*

Other Similar products are found below :

[892-18-020-10-001101](#) [0010894062](#) [0010977306](#) [0015477636](#) [0015917161](#) [0022104068](#) [0022121042](#) [0022155065](#) [0022281023](#) [57102-F02-18ULF](#) [58102-G61-06LF](#) [582553-1](#) [0015911208](#) [01.001.5753.1](#) [0022285048](#) [0050291907](#) [02.125.8002.8](#) [CSU011177004](#) [622-0430](#) [622-3653LF](#) [63453-116](#) [636-1030](#) [636-1427](#) [636-3427](#) [636-4007](#) [641938-9](#) [65495-038](#) [65692-001LF](#) [65781-018](#) [65781-047](#) [65817-010LF](#) [65817-015LF](#) [67095-007LF](#) [67601157](#) [68631-112](#) [68645-018](#) [699319-000](#) [70.362.1628.0](#) [70-4210](#) [70-4226B](#) [70-4853B](#) [707-5028](#) [71.350.2428.0](#) [733-134](#) [733-162](#) [760-3052](#) [MHR-64-VUAL](#) [80.063.4001.1](#) [800-90-001-10-001000](#) [801-43-002-10-013000](#)