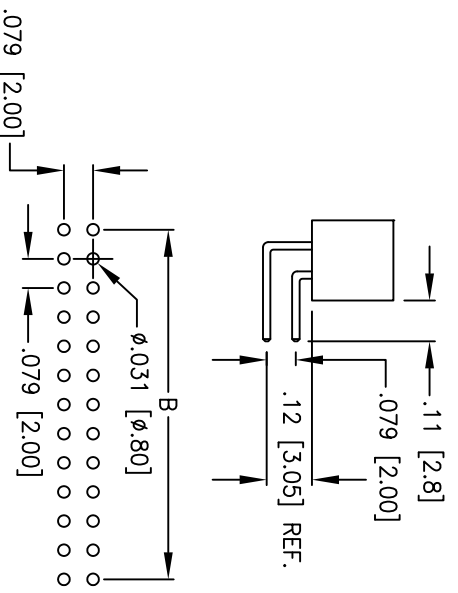
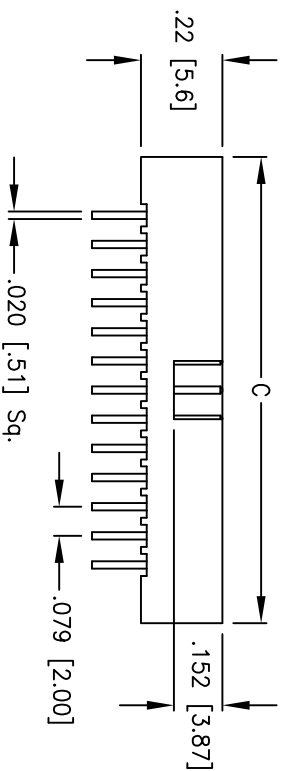
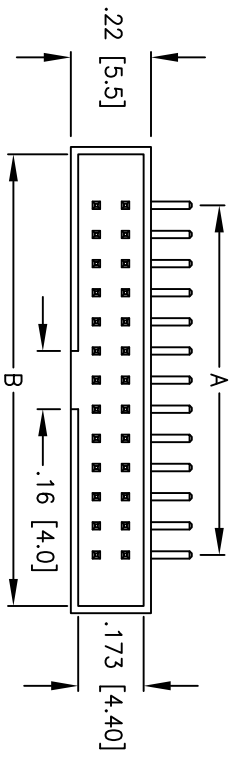


Rev	AWO #	Description	Date	Appr
-	7466	RELEASED	01/25/07	

APPROVED: _____ TITLE: _____
 DATE: _____

POSITION	A	B	C
10	.315 [8.00]	.633 [16.08]	.673 [17.10]
12	.394 [10.00]	.712 [18.08]	.752 [19.10]
14	.472 [12.00]	.791 [20.08]	.831 [21.10]
16	.551 [14.00]	.869 [22.08]	.909 [23.10]
20	.709 [18.00]	1.027 [26.08]	1.067 [27.10]
26	.945 [24.00]	1.263 [32.08]	1.303 [33.10]
34	1.260 [32.00]	1.578 [40.08]	1.618 [41.10]
40	1.496 [38.00]	1.814 [46.08]	1.854 [47.10]
44	1.654 [42.00]	1.972 [50.08]	2.012 [51.10]
50	1.890 [48.00]	2.208 [56.08]	2.248 [57.10]
68	2.598 [66.00]	2.917 [74.08]	2.957 [75.10]



RECOMMENDED PCB LAYOUT
 Tolerances: ±.004 [±.10]

SPECIFICATIONS:
 Material: Insulator: PBT, glass reinforced, rated UL 94V-0
 Insulator color: Black
 Contacts: Brass
 Plating: Gold Flash over Nickel underplate overall
Electrical:
 Operating voltage: 250 VAC max
 Current rating: 1 Amp max
 Contact resistance: 20 mohms max
 Insulation resistance: 5000 Mohms min
 Dielectric withstanding voltage: 1000 VAC for 1 minute
Temperature Rating:
 Operating temperature: -55C to +105C
 Environmental: Lead free, RoHS compliant.



UNLESS OTHERWISE SPECIFIED ALL DIMENSIONS ARE INCHES [MM]	
TOLERANCES: EXCEPT AS NOTED	
INCHES	HOLES
.X ±.10	ØX ±.10
.XX ±.020	ØXX ±.015
.XXX ±.015	ØXXX ±.010
APPROVALS	DATE
DRAWN	BW
CHECKED	
APPROVED	

ADAM TECH
 909 Rahway Avenue, Union, NJ 07083
 Phone: 908-687-5000 Fax: 908-687-5710

TITLE: 2.0mm DUAL ROW, HORIZONTAL MOUNT BOX HEADER, GOLD PLATED

SIZE: X PART NO: 2BHR-XX-HUA

SCALE: NTS SHEET 1 OF 1

X-ON Electronics

Largest Supplier of Electrical and Electronic Components

Click to view similar products for [Headers & Wire Housings](#) category:

Click to view products by [Adam](#) manufacturer:

Other Similar products are found below :

[892-18-020-10-001101](#) [0010894062](#) [0010977306](#) [0015477636](#) [0015917161](#) [0022104068](#) [0022121042](#) [0022155065](#) [0022281023](#) [57102-F02-18ULF](#) [58102-G61-06LF](#) [582553-1](#) [0015911208](#) [01.001.5753.1](#) [0022285048](#) [0050291907](#) [02.125.8002.8](#) [CSU011177004](#) [622-0430](#) [622-3653LF](#) [63453-116](#) [636-1030](#) [636-1427](#) [636-3427](#) [636-4007](#) [641938-9](#) [65495-038](#) [65692-001LF](#) [65781-018](#) [65781-047](#) [65817-010LF](#) [65817-015LF](#) [67095-007LF](#) [67601157](#) [68631-112](#) [68645-018](#) [699319-000](#) [70.362.1628.0](#) [70-4210](#) [70-4226B](#) [70-4853B](#) [707-5028](#) [71.350.2428.0](#) [733-134](#) [733-162](#) [760-3052](#) [MHR-64-VUAL](#) [80.063.4001.1](#) [800-90-001-10-001000](#) [801-43-002-10-013000](#)