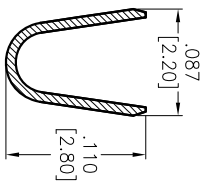
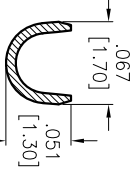


Rev	AWO #	Description	Date	Appr
-		RELEASED	02/07/13	

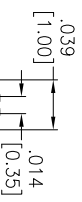
APPROVED: _____
 DATE: _____ TITLE: _____



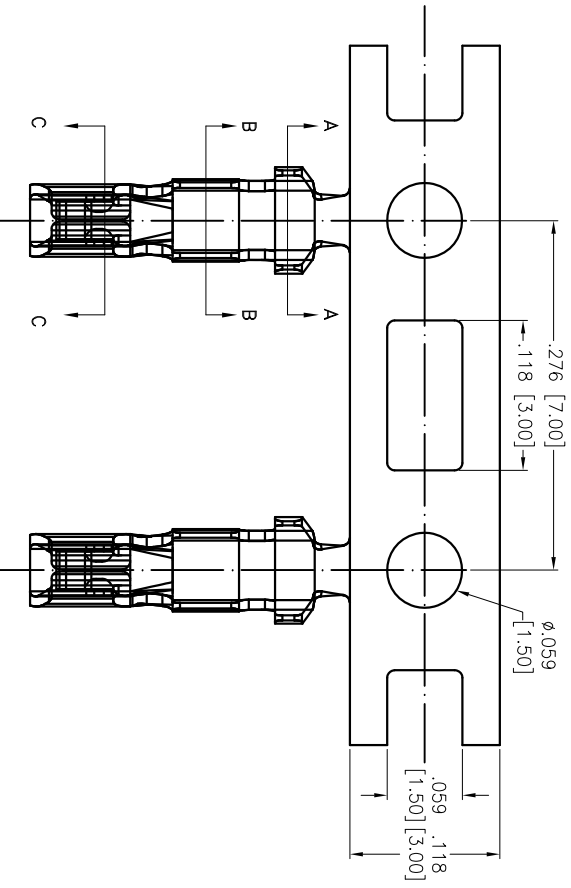
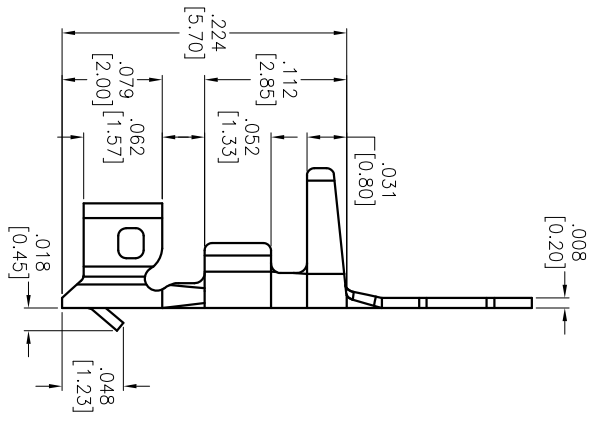
SECTION A-A



SECTION B-B



SECTION C-C



SPECIFICATIONS:
 Material: Phosphor Bronze
 Contact: Phosphor Bronze
 Thickness: 0.2mm
 Plating: Tin over Copper underplate overall
 Electrical: Tin over Copper underplate overall
 Current rating: 2A AC/DC
 Contact resistance: 20 mohms max
 Insulation resistance: 1,000 Mohms min @ 500 VDC
 Dielectric withstanding voltage: 800 VAC for 1 minute
 Wire range: 22-28 AWG
 Temperature Rating: Operating temperature: -25°C to +85°C
 Environmental: Lead free, RoHS compliant

ADAM TECH

909 Railway Avenue, Union, NJ 07083
 Phone: 908-687-5000 Fax: 908-687-5710

CRIMP CONTACT

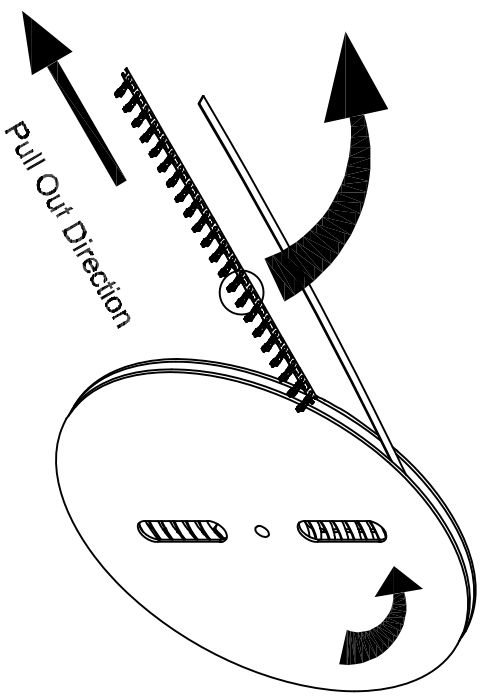
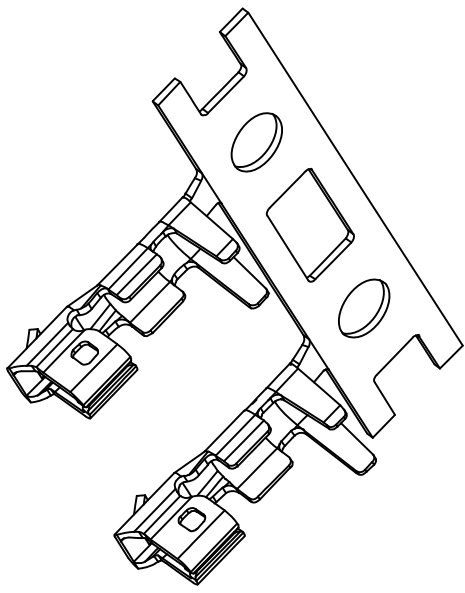
UNLESS OTHERWISE SPECIFIED ALL DIMENSIONS ARE INCHES [MM] TOLERANCES: EXCEPT AS NOTED	
INCHES	HOLDS
.X ± .10	ØX ± .10
.XX ± .020	ØXX ± .015
.XXX ± .015	ØXXX ± .010
APPROVALS	DATE
DRAWN TW	02/07/13
CHECKED CC	02/07/13
APPROVED	

SIZE X	PART NO. 2CTC-R	REV. -
REF: S00724T	SCALE: NTS	SHEET 1 OF 2



APPROVED: _____
 DATE: _____ TITLE: _____

Rev	AWO #	Description	Date	Appr
		SEE SHT 1 OF 2 FOR REVISION		

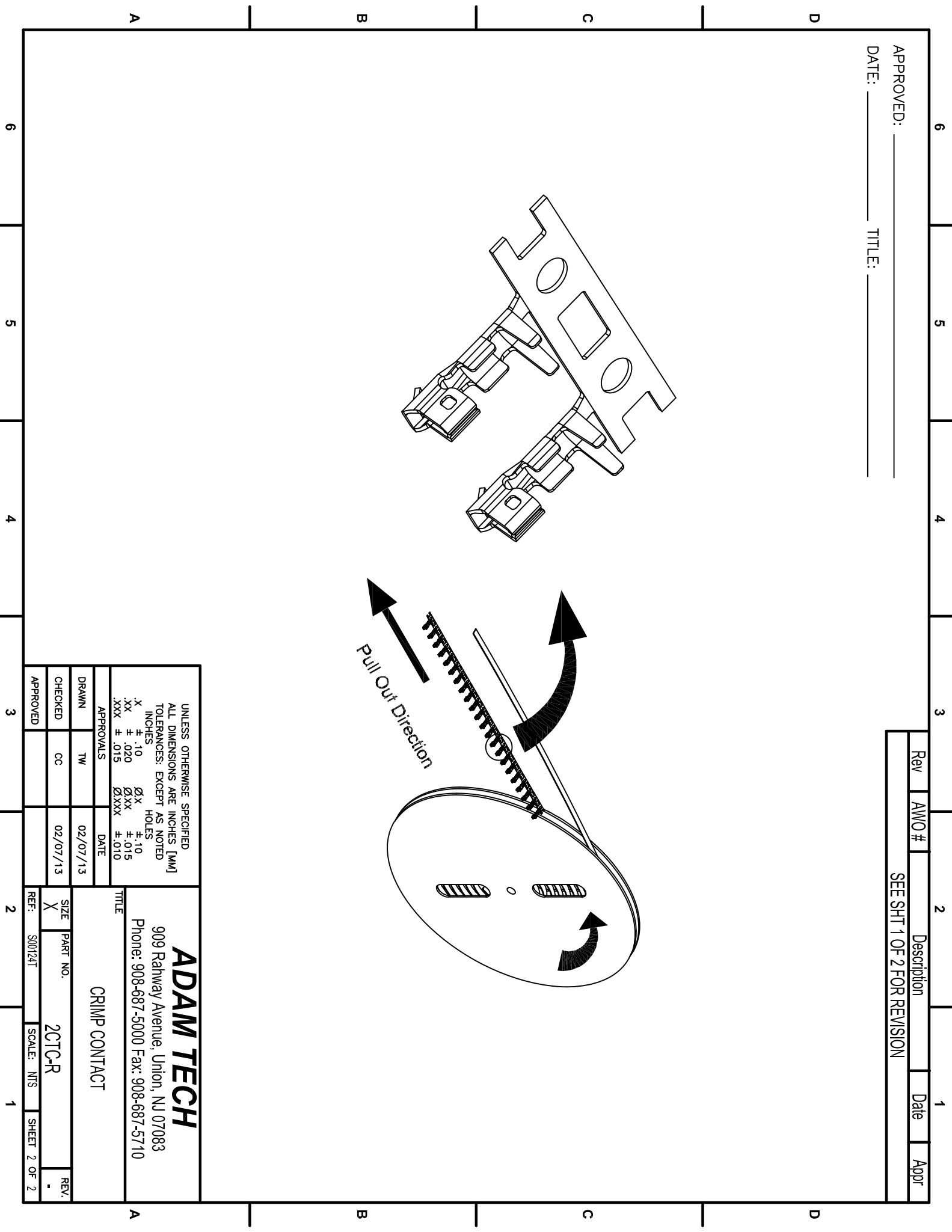


UNLESS OTHERWISE SPECIFIED ALL DIMENSIONS ARE INCHES [MM]	
TOLERANCES: EXCEPT AS NOTED	
INCHES	HOLES
.X ± .10	ØX ± .10
.XX ± .020	ØXXX ± .015
.XXX ± .015	ØXXX ± .010
APPROVALS	DATE
DRAWN TW	02/07/13
CHECKED CC	02/07/13
APPROVED	

ADAM TECH
 909 Railway Avenue, Union, NJ 07083
 Phone: 908-687-5000 Fax: 908-687-5710

TITLE: **CRIMP CONTACT**

SIZE	PART NO.	REV.
X	2CTC-R	-
REF:	SCALE:	SHEET
S00124T	NTS	2 OF 2



X-ON Electronics

Largest Supplier of Electrical and Electronic Components

Click to view similar products for [Headers & Wire Housings](#) category:

Click to view products by [Adam](#) manufacturer:

Other Similar products are found below :

[892-18-020-10-001101](#) [0010894062](#) [0010977306](#) [0015477636](#) [0015917161](#) [0022104068](#) [0022121042](#) [0022155065](#) [0022281023](#) [57102-F02-18ULF](#) [58102-G61-06LF](#) [582553-1](#) [0015911208](#) [01.001.5753.1](#) [0022285048](#) [0050291907](#) [02.125.8002.8](#) [CSU011177004](#) [622-0430](#) [622-3653LF](#) [63453-116](#) [636-1030](#) [636-1427](#) [636-3427](#) [636-4007](#) [641938-9](#) [65495-038](#) [65692-001LF](#) [65781-018](#) [65781-047](#) [65817-010LF](#) [65817-015LF](#) [67095-007LF](#) [67601157](#) [68631-112](#) [68645-018](#) [699319-000](#) [70.362.1628.0](#) [70-4210](#) [70-4226B](#) [70-4853B](#) [707-5028](#) [71.350.2428.0](#) [733-134](#) [733-162](#) [760-3052](#) [MHR-64-VUAL](#) [80.063.4001.1](#) [800-90-001-10-001000](#) [801-43-002-10-013000](#)