

6

5

4

3

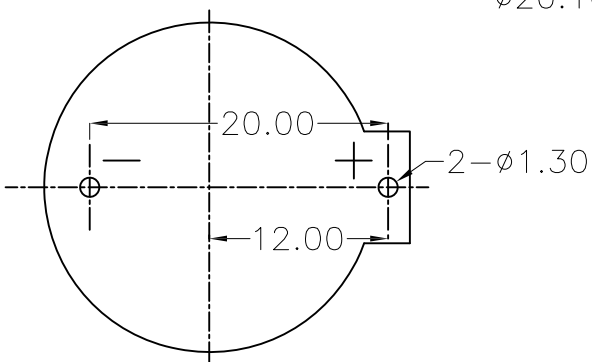
2

1

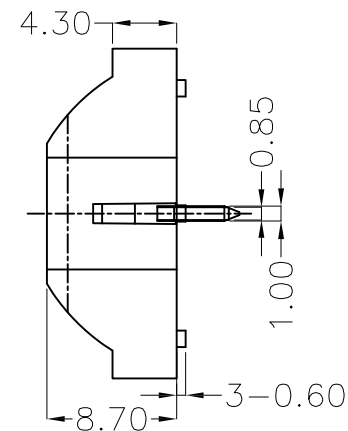
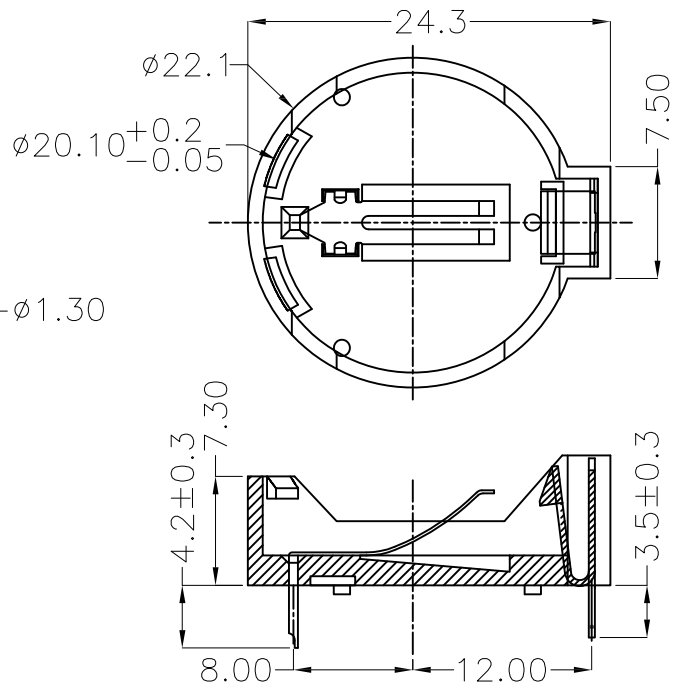
APPROVED: _____

DATE: _____ TITLE: _____

Rev	AWO #	Description	Date	Appr
-		RELEASED	3/12/20	



RECOMMENDED PCB LAYOUT



SPECIFICATIONS:

Material:

Housing: PBT, rated UL94V-0, Color: Black

Contact: Brass, Tin plated

Electrical:

Contact resistance: 30 Milliohms max

Insulation resistance: 1,000 Megaohms ohms min

Dielectric Voltage: 500 VAC @ sea level

Temperature Rating:

Operating temperature: -25°C to +85°C

Environmental:

Lead free, RoHS compliant



UNLESS OTHERWISE SPECIFIED
 ALL DIMENSIONS ARE MILLIMETERS
 TOLERANCES: EXCEPT AS NOTED
 MM ANGLE

X	± 0.30	X	± 1°
X.X	± 0.25	X.X	± 0.5°
X.XX	± 0.20		
X.XXX	± 0.10		

ADAM TECH
INTERCONNECTS

909 Rahway Avenue,
 Union, NJ 07083
 Phone: 908-687-5000
 Fax: 908-687-5710

APPROVALS		DATE
DRAWN	LH	3/12/20
CHECKED	MY	3/12/20
APPROVED		

TITLE			BATTERY HOLDER, PCB THRU HOLE FOR 2032		
SIZE	PART NO.	REV.			
X	BH-25F-1	-			
REF:	S00136C	SCALE:	NTS	SHEET 1 OF 1	

6

5

4

3

2

1

X-ON Electronics

Largest Supplier of Electrical and Electronic Components

Click to view similar products for [Coin Cell Battery Holders](#) category:

Click to view products by [Adam](#) manufacturer:

Other Similar products are found below :

[1025-7](#) [103](#) [104](#) [1056TR](#) [1060TR](#) [1061TR](#) [1063](#) [107](#) [1081](#) [108-2](#) [1091](#) [1091TR](#) [122-2420-GR](#) [122-2582-GR](#) [122-2612-GR](#) [122-2616-GR](#)
[122-7520-GR](#) [1775485-1](#) [18650 S2](#) [2-1775485-1](#) [2998TR](#) [3000TR](#) [3001](#) [3002TR](#) [3003](#) [3005](#) [3007](#) [3008TR](#) [3012TR](#) [3026TR](#) [3034TR](#)
[3039](#) [3046](#) [3080](#) [46400000](#) [4856](#) [4891](#) [4988](#) [79573231](#) [799-2001](#) [799-2007](#) [AAA-BAT-046-K01](#) [BA2032](#) [BA2032SM](#) [BA2AAPC](#)
[BA3AAPC](#) [BA4AAPC](#) [BA4AAW](#) [BAT-HLD-002-SMT](#) [BAT-HLD-002-THM](#)