

6

5

4

3

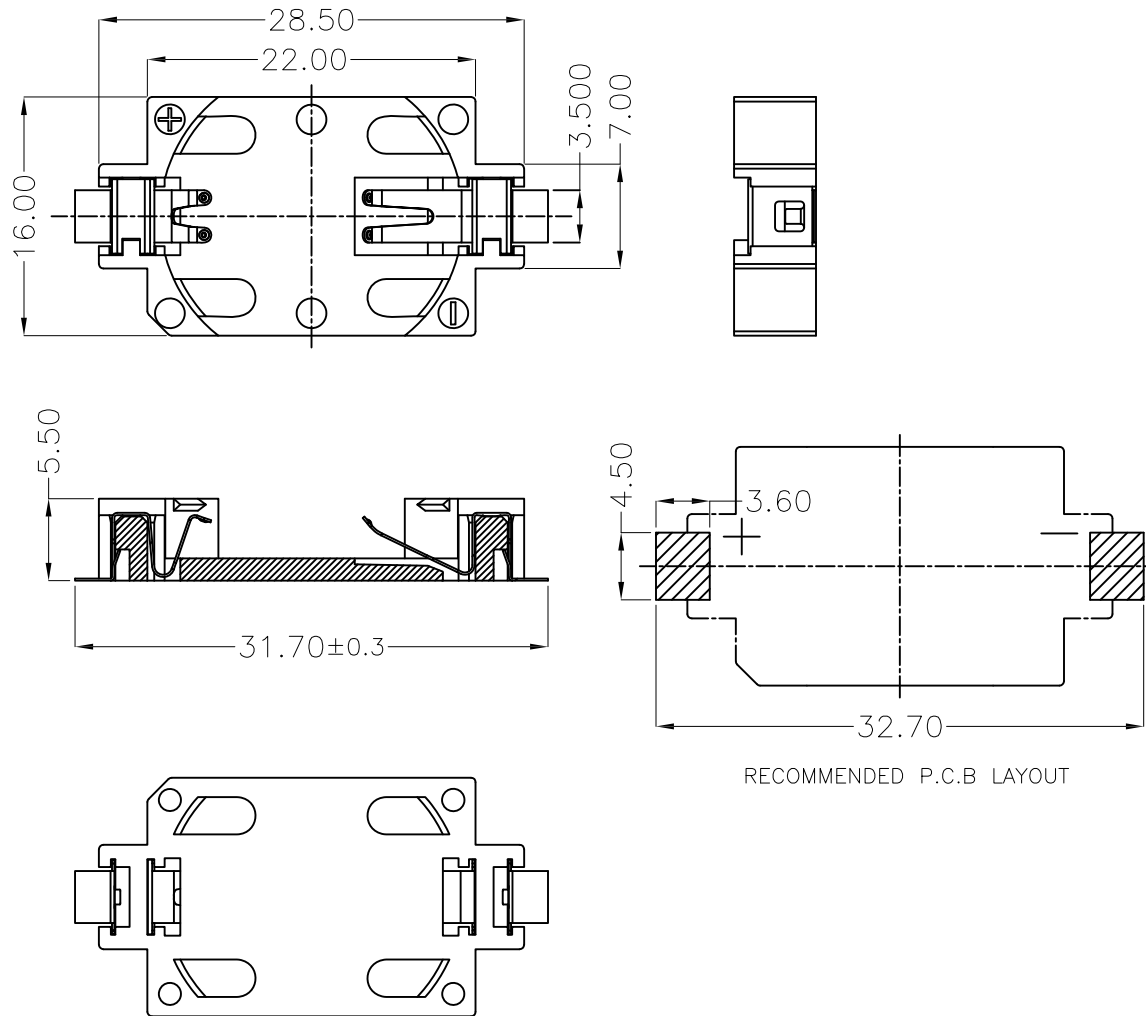
2

1

APPROVED: _____

DATE: _____ TITLE: _____

Rev	AWO #	Description	Date	Appr
-		RELEASED	3/13/20	



RECOMMENDED P.C.B LAYOUT

SPECIFICATIONS:

- Material:
- Housing: Hi-Temp Thermoplastic, rated UL94V-0, Color: Black
- Contact: Phosphor Bronze, Tin plated
- Electrical:
- Contact resistance: 30 Milliohms max
- Insulation resistance: 1,000 Megaohms ohms min
- Dielectric Voltage: 500 VAC @ sea level
- Temperature Rating:
- Operating temperature: -25°C to +85°C
- Environmental:
- Lead free, RoHS compliant



UNLESS OTHERWISE SPECIFIED ALL DIMENSIONS ARE MILLIMETERS TOLERANCES: EXCEPT AS NOTED			
MM	ANGLE		
X ± 0.30	X ± 1°		
X.X ± 0.25	X.X ± 0.5°		
X.XX ± 0.20			
X.XXX ± 0.10			
APPROVALS		DATE	
DRAWN	LH	3/13/20	
CHECKED	MY	3/13/20	
APPROVED			

ADAM TECH INTERCONNECTS
 909 Rahway Avenue,
 Union, NJ 07083
 Phone: 908-687-5000
 Fax: 908-687-5710

TITLE: COIN CELL BATTERY HOLDER FOR CELL CR2032, SMT TYPE, COLOR: BLACK

SIZE X	PART NO. BH-49A-5-T-BK	REV. -
REF: S00136C	SCALE: NTS	SHEET 1 OF 1

6

5

4

3

2

1

X-ON Electronics

Largest Supplier of Electrical and Electronic Components

Click to view similar products for [Coin Cell Battery Holders](#) category:

Click to view products by [Adam](#) manufacturer:

Other Similar products are found below :

[1025-7](#) [103](#) [104](#) [1056TR](#) [1060TR](#) [1061TR](#) [1063](#) [107](#) [1081](#) [108-2](#) [1091](#) [1091TR](#) [122-2420-GR](#) [122-2582-GR](#) [122-2612-GR](#) [122-2616-GR](#)
[122-7520-GR](#) [1775485-1](#) [18650 S2](#) [2-1775485-1](#) [2998TR](#) [3000TR](#) [3001](#) [3002TR](#) [3003](#) [3005](#) [3007](#) [3008TR](#) [3012TR](#) [3026TR](#) [3034TR](#)
[3039](#) [3046](#) [3080](#) [46400000](#) [4856](#) [4891](#) [4988](#) [79573231](#) [799-2001](#) [799-2007](#) [AAA-BAT-046-K01](#) [BA2032](#) [BA2032SM](#) [BA2AAPC](#)
[BA3AAPC](#) [BA4AAPC](#) [BA4AAW](#) [BAT-HLD-002-SMT](#) [BAT-HLD-002-THM](#)