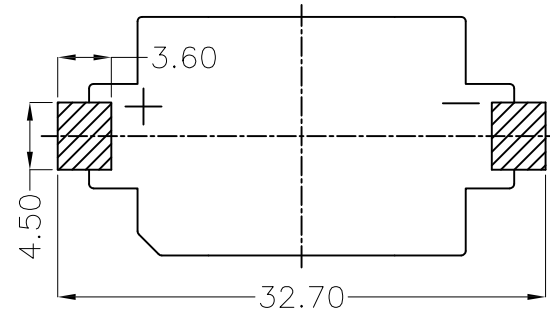
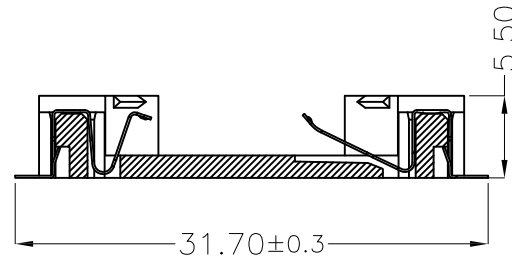
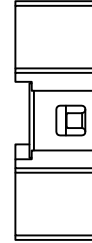
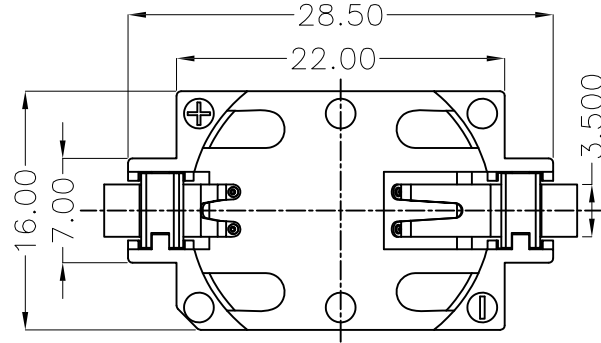
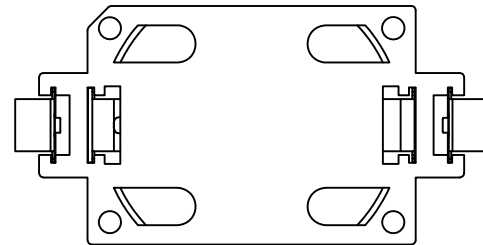


APPROVED: _____
 DATE: _____ TITLE: _____

Rev	AWO #	Description	Date	Appr
-		RELEASED	8/11/16	
A		UPDATE DRAWING	3/13/20	LH/MY
B		UPDATE PLATED	3/30/21	LH/RC



RECOMMENDED PCB LAYOUT



SPECIFICATIONS:

Material:
 Housing: Hi-Temp Thermoplastic, rated UL94V-0, Color: White
 Contact: Phosphor Bronze, Tin plated Δ
 Electrical:
 Contact resistance: 30 mohms max
 Insulation resistance: 1,000 Mohms min
 Dielectric Voltage: 500 VAC one sec level
 Temperature Rating:
 Operating temperature: -25°C to +85°C.
 Environmental:
 Lead free, RoHS compliant



UNLESS OTHERWISE SPECIFIED ALL DIMENSIONS ARE MILLIMETERS TOLERANCES: EXCEPT AS NOTED				909 Rahway Avenue, Union, NJ 07083	
MM	ANGLE			Phone: 908-687-5000 Fax: 908-687-5710	
X	± 0.30	X	± 1°	TITLE BATTERY HOLDER, SURFACE MOUNT, FOR CR2032, WHITE COLOR	
X.X	± 0.25	X.X	± 0.5°		
X.XX	± 0.20			SIZE	PART NO.
X.XXX	± 0.10			X	BH-49B-5
APPROVALS		DATE		REV.	
DRAWN	HR	8/11/16		B	
CHECKED	LW	8/11/16			
APPROVED				REF:	S00136C
				SCALE:	NTS
				SHEET	1 OF 1

X-ON Electronics

Largest Supplier of Electrical and Electronic Components

Click to view similar products for [Coin Cell Battery Holders](#) category:

Click to view products by [Adam](#) manufacturer:

Other Similar products are found below :

[1025-7](#) [103](#) [104](#) [1056TR](#) [1060TR](#) [1061TR](#) [1063](#) [107](#) [1081](#) [108-2](#) [1091](#) [1091TR](#) [122-2420-GR](#) [122-2582-GR](#) [122-2612-GR](#) [122-2616-GR](#)
[122-7520-GR](#) [1775485-1](#) [18650 S2](#) [2-1775485-1](#) [2998TR](#) [3000TR](#) [3001](#) [3002TR](#) [3003](#) [3005](#) [3007](#) [3008TR](#) [3012TR](#) [3026TR](#) [3034TR](#)
[3039](#) [3046](#) [3080](#) [46400000](#) [4856](#) [4891](#) [4988](#) [79573231](#) [799-2001](#) [799-2007](#) [AAA-BAT-046-K01](#) [BA2032](#) [BA2032SM](#) [BA2AAPC](#)
[BA3AAPC](#) [BA4AAPC](#) [BA4AAW](#) [BAT-HLD-002-SMT](#) [BAT-HLD-002-THM](#)