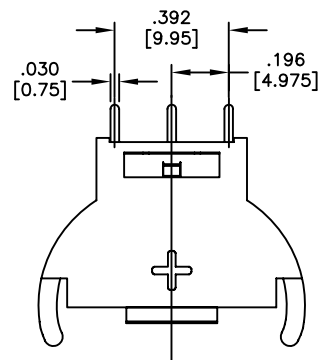
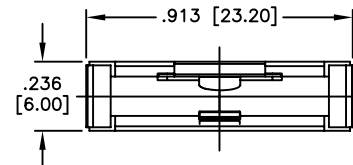
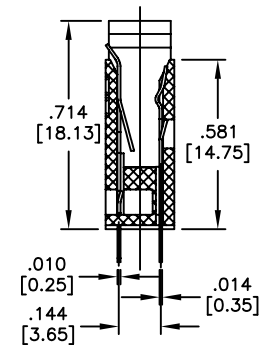
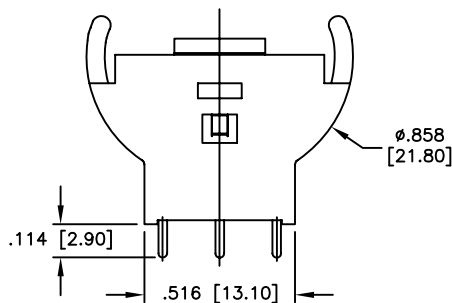
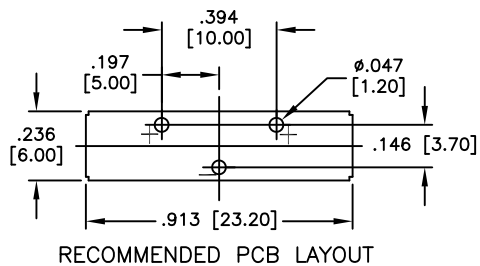


APPROVED: _____
 DATE: _____ TITLE: _____

Rev	AWO #	Description	Date	Appr
-		RELEASED	5/28/15	
A		UPDATED DRAWING	8/11/16	AY/LW



SPECIFICATIONS:

Material:
 Housing: PA66, rated UL94V-0, Color: Black
 Contact: Phosphor Bronze, Nickel plated
Electrical:
 Contact resistance: 30 Milliohms max
 Insulation resistance: 1,000 Mega ohms min
 Dielectric Voltage: 500 VAC one sec level
Temperature Rating:
 Operating temperature: -25°C to +85°C.
Environmental:
 Lead free, RoHS compliant



UNLESS OTHERWISE SPECIFIED ALL DIMENSIONS ARE INCHES [MM] TOLERANCES: EXCEPT AS NOTED INCHES HOLES .X ± .10 ϕ .X ± .10 .XX ± .020 ϕ .XX ± .015 .XXX ± .015 ϕ .XXX ± .010		ADAM TECH 909 Rahway Avenue, Union, NJ 07083 Phone: 908-687-5000 Fax: 908-687-5710	
APPROVALS DRAWN AY 5/28/15 CHECKED OC 5/28/15 APPROVED		DATE DATE DATE	
TITLE COIN CELL BATTERY HOLDER FOR ONE CELL CR2032		SIZE X	PART NO. BH-50B-1
REF: S00138C		SCALE: NTS	REV. - SHEET 1 OF 1

X-ON Electronics

Largest Supplier of Electrical and Electronic Components

Click to view similar products for [Coin Cell Battery Holders](#) category:

Click to view products by [Adam](#) manufacturer:

Other Similar products are found below :

[1025-7](#) [103](#) [104](#) [1056TR](#) [1060TR](#) [1061TR](#) [1063](#) [107](#) [1081](#) [108-2](#) [1091](#) [1091TR](#) [122-2420-GR](#) [122-2582-GR](#) [122-2612-GR](#) [122-2616-GR](#)
[122-7520-GR](#) [1775485-1](#) [18650 S2](#) [2-1775485-1](#) [2998TR](#) [3000TR](#) [3001](#) [3002TR](#) [3003](#) [3005](#) [3007](#) [3008TR](#) [3012TR](#) [3026TR](#) [3034TR](#)
[3039](#) [3046](#) [3080](#) [46400000](#) [4856](#) [4891](#) [4988](#) [79573231](#) [799-2001](#) [799-2007](#) [AAA-BAT-046-K01](#) [BA2032](#) [BA2032SM](#) [BA2AAPC](#)
[BA3AAPC](#) [BA4AAPC](#) [BA4AAW](#) [BAT-HLD-002-SMT](#) [BAT-HLD-002-THM](#)