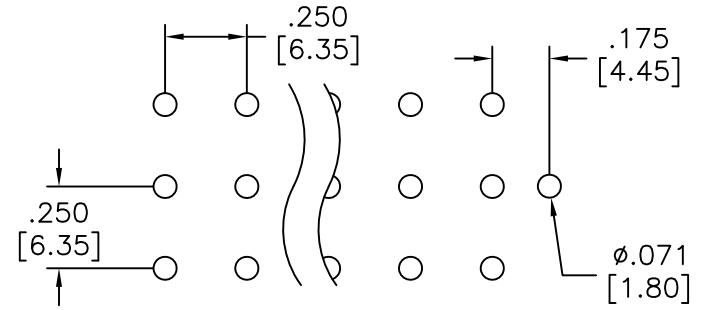
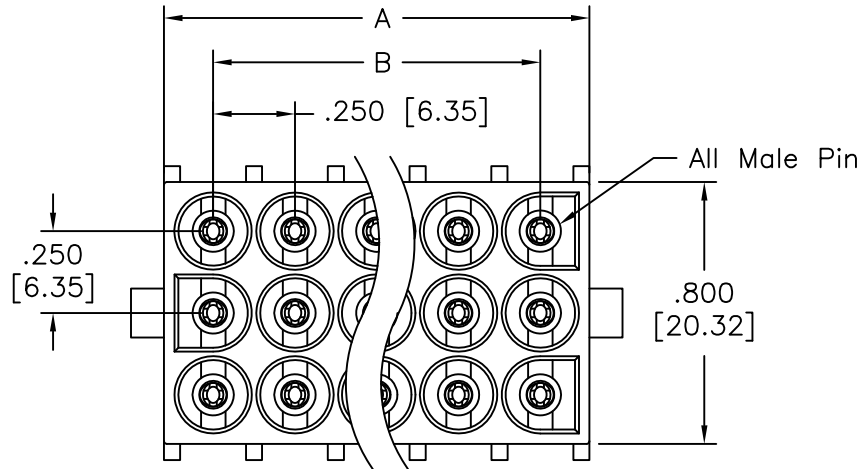
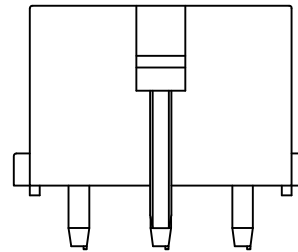
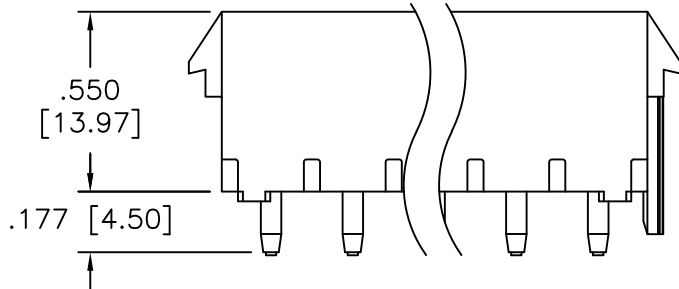


APPROVED: _____
 DATE: _____ TITLE: _____

Rev	AWO #	Description	Date	Appr
-		RELEASED	9/05/08	
A		ADDED SPEC.	4/27/15	HR/VC



Recommended PCB Layout



SPECIFICATIONS:

Material:
 Insulator: Nylon 66, rated UL 94V-0
 Insulator color: White
 Contacts: Phosphor Bronze
 Plating:
 Tin over Nickel underplate overall
 Electrical:
 Operating voltage: 600 VAC max
 Current rating: 13 Amps max.
 Insulation resistance: 1000 Mohms min @ 500 VDC
 Dielectric withstanding voltage: 5000 VAC for 1 minute
 Mechanical:
 Temperature Rating:
 Operating temperature: -55°C to +105°C
 Environmental:
 Lead free, RoHS compliant.



A = .250 [6.35] X No. of Positions + .050 [1.27]
 B = .250 [6.35] X No. of Spaces

UNLESS OTHERWISE SPECIFIED ALL DIMENSIONS ARE MM [INCHES] TOLERANCES: EXCEPT AS NOTED		ADAM TECH INTERCONNECTS		909 Rahway Avenue, Union, NJ 07083 Phone: 908-687-5000 Fax: 908-687-5710	
INCHES HOLES				TITLE	
.X ± .10	∅.X ± .10	WIRE TO BOARD, FEMALE, 6.35mm PITCH WITH POLARIZING			
.XX ± .020	∅.XX ± .015	APPROVALS		DATE	
.XXX ± .015	∅.XXX ± .010	DRAWN	DY	9/05/08	
APPROVED		CHECKED			
SIZE	PART NO.	REV.			
X	DME-XX-S-P-SQ-V0	A			
REF: S00123T	SCALE: NTS	SHEET 1 OF 2			

6

5

4

3

2

1

APPROVED: _____

DATE: _____ TITLE: _____

Rev	AWO #	Description	Date	Appr
-----	-------	-------------	------	------

SEE SHT 1 OF 2 FOR REVISION

D

C

B

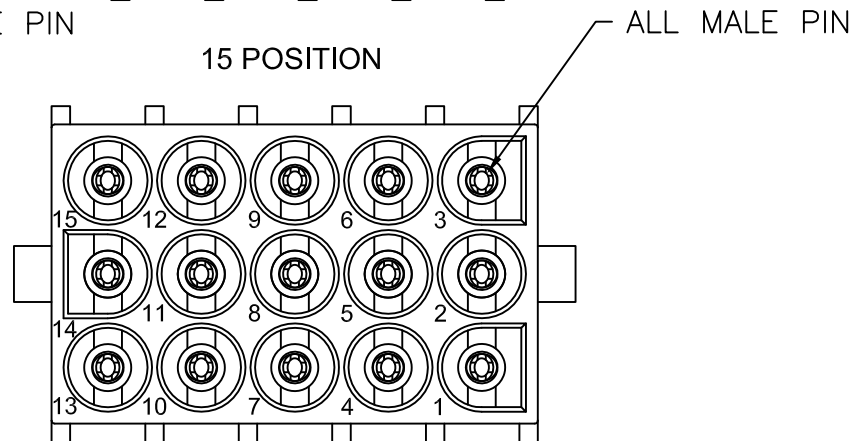
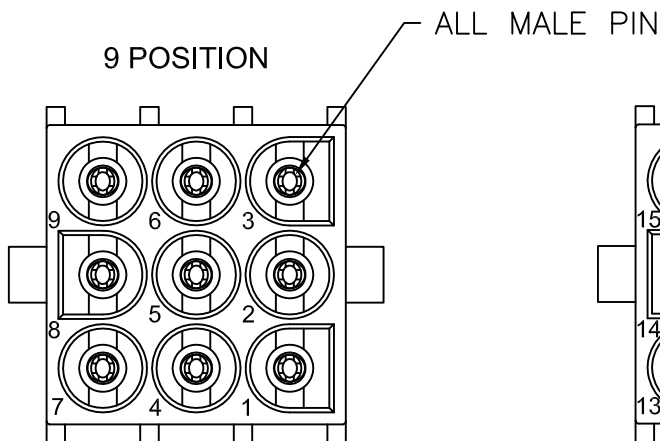
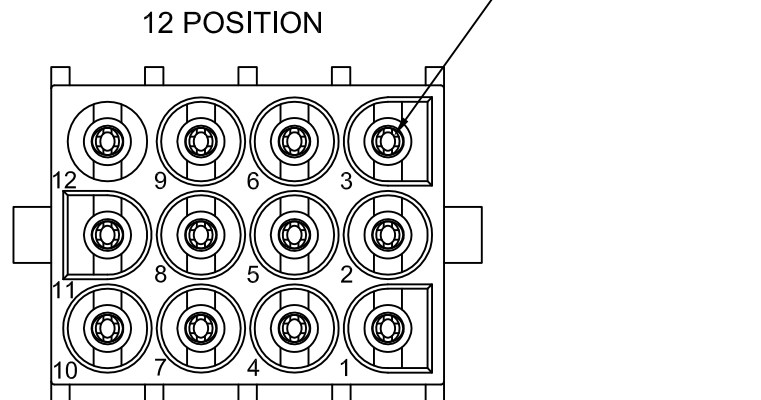
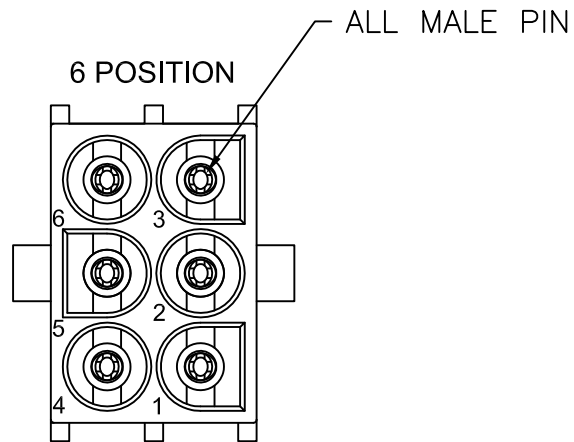
A

D

C

B

A



UNLESS OTHERWISE SPECIFIED
 ALL DIMENSIONS ARE INCHES [MM]
 TOLERANCES: EXCEPT AS NOTED
 INCHES HOLES

.X	± .10	∅X	± .10
.XX	± .020	∅XX	± .015
.XXX	± .015	∅XXX	± .010

ADAM
TECH
INTERCONNECTS

909 Rahway Avenue,
 Union, NJ 07083
 Phone: 908-687-5000
 Fax: 908-687-5710

APPROVALS		DATE
DRAWN	DY	1/14/10
CHECKED		
APPROVED		

TITLE
 WIRE TO BOARD, FEMALE, 6.35mm PITCH
 WITHOUT POLARIZING

SIZE X	PART NO. DME-XX-S-SQ-V0	REV. B
REF: S000123T	SCALE: NTS	SHEET 2 OF 2

6

5

4

3

2

1

X-ON Electronics

Largest Supplier of Electrical and Electronic Components

Click to view similar products for [Headers & Wire Housings](#) category:

Click to view products by [Adam](#) manufacturer:

Other Similar products are found below :

[892-18-020-10-001101](#) [0010894062](#) [0010977306](#) [0015477636](#) [0015917161](#) [0022104068](#) [0022121042](#) [0022155065](#) [0022281023](#) [57102-F02-18ULF](#) [58102-G61-06LF](#) [582553-1](#) [0015911208](#) [01.001.5753.1](#) [0022285048](#) [0050291907](#) [02.125.8002.8](#) [CSU011177004](#) [622-0430](#) [622-3653LF](#) [63453-116](#) [636-1030](#) [636-1427](#) [636-3427](#) [636-4007](#) [641938-9](#) [65495-038](#) [65692-001LF](#) [65781-018](#) [65781-047](#) [65817-010LF](#) [65817-015LF](#) [67095-007LF](#) [67601157](#) [68631-112](#) [68645-018](#) [699319-000](#) [70.362.1628.0](#) [70-4210](#) [70-4226B](#) [70-4853B](#) [707-5028](#) [71.350.2428.0](#) [733-134](#) [733-162](#) [760-3052](#) [MHR-64-VUAL](#) [80.063.4001.1](#) [800-90-001-10-001000](#) [801-43-002-10-013000](#)