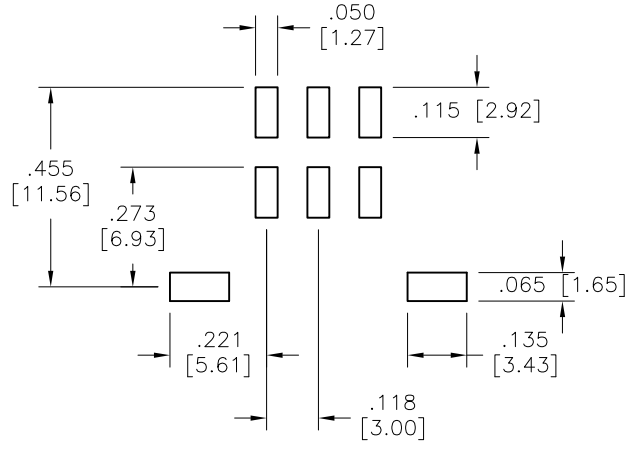
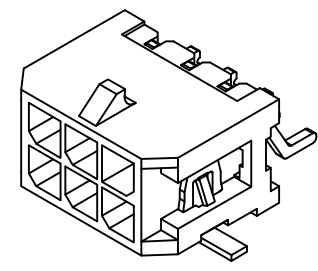
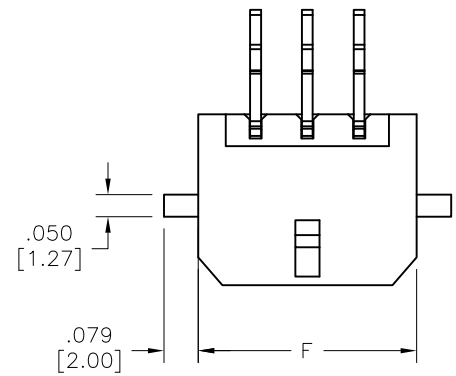


Rev	AWO #	Description	Date	Appr
-		RELEASED	6/15/12	

APPROVED: _____
DATE: _____ TITLE: _____



PCB Layout: Component side



Dimensional Information

Unit: mm

CIRCUITS	DIM. E	DIM. F	CIRCUITS	DIM. E	DIM. F
2		6.65	14	18.0	24.65
4	3.0	9.65	16	21.0	27.65
6	6.0	12.65	18	24.0	30.65
8	9.0	15.65	20	27.0	33.65
10	12.0	18.65	22	30.0	36.65
12	15.0	21.65	24	33.0	39.65

SPECIFICATIONS:

Material:
Insulator: Hi-temp thermoplastic, rated UL 94V-0
Insulator color: Black
Contacts: Brass

Plating:

Tin over Copper underplate overall

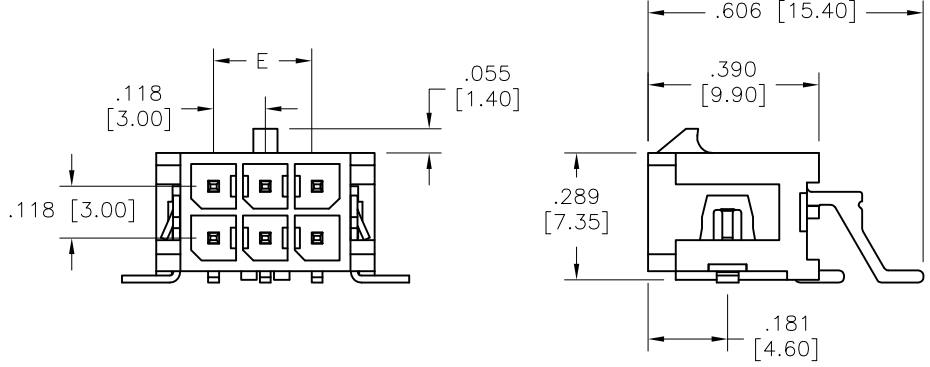
Electrical:

Operating voltage: 250V AC, DC
Current rating: 5A AC, DC
Contact resistance: 10 mohms max.
Dielectric withstanding voltage: 1500 VAC for 1 minute

Temperature Rating:

Ambient temperature: -25°C to +85°C
Environmental:

Lead free, RoHS compliant.



PACKAGED ON TAPE & REEL

UNLESS OTHERWISE SPECIFIED
ALL DIMENSIONS ARE INCHES [MM]
TOLERANCES: EXCEPT AS NOTED
INCHES HOLES
.X ±.10 Ø.X ±.10
.XX ±.020 Ø.XX ±.015
.XXX ±.015 Ø.XXX ±.010

ADAM TECH
909 Rahway Avenue, Union, NJ 07083
Phone: 908-687-5000 Fax: 908-687-5710

APPROVALS		DATE
DRAWN	AY	6/15/12
CHECKED	AH	6/15/12
APPROVED		

TITLE DUAL ROW, .118"(3.0MM) PITCH, SMT HOUSING & TERMINAL, W/ FITTING NAIL		
SIZE X	PART NO. DML-XX-A-H-T-A-TSMT-T/R	REV. -
REF: S00123T	SCALE: NTS	SHEET 1 OF 1

X-ON Electronics

Largest Supplier of Electrical and Electronic Components

Click to view similar products for [Headers & Wire Housings](#) category:

Click to view products by [Adam](#) manufacturer:

Other Similar products are found below :

[892-18-020-10-001101](#) [0010894062](#) [0010977306](#) [0015477636](#) [0015917161](#) [0022104068](#) [0022121042](#) [0022155065](#) [0022281023](#) [57102-F02-18ULF](#) [58102-G61-06LF](#) [582553-1](#) [0015911208](#) [01.001.5753.1](#) [0022285048](#) [0050291907](#) [02.125.8002.8](#) [CSU011177004](#) [622-0430](#) [622-3653LF](#) [63453-116](#) [636-1030](#) [636-1427](#) [636-3427](#) [636-4007](#) [641938-9](#) [65495-038](#) [65692-001LF](#) [65781-018](#) [65781-047](#) [65817-010LF](#) [65817-015LF](#) [67095-007LF](#) [67601157](#) [68631-112](#) [68645-018](#) [699319-000](#) [70.362.1628.0](#) [70-4210](#) [70-4226B](#) [70-4853B](#) [707-5028](#) [71.350.2428.0](#) [733-134](#) [733-162](#) [760-3052](#) [MHR-64-VUAL](#) [80.063.4001.1](#) [800-90-001-10-001000](#) [801-43-002-10-013000](#)