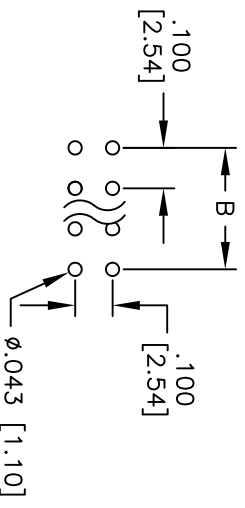
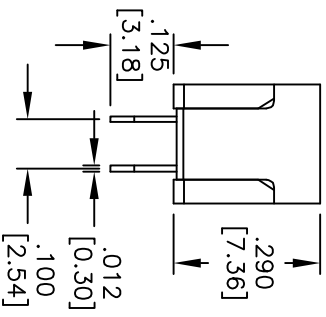
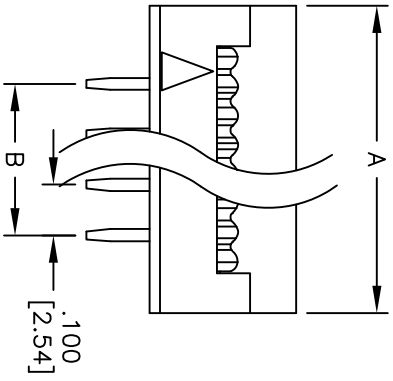
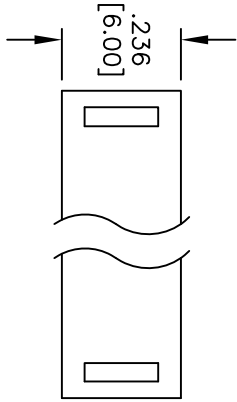


APPROVED: _____
 DATE: _____ TITLE: _____

Rev	AWO #	Description	Date	Appr
-		RELEASED	11/16/04	
		ADDED ROHS LOGO	02/14/07	BAS
A		ADDED 6 POSITION	10/16/08	SS
B		REDRAWN	12/24/10	



RECOMMENDED PCB LAYOUT

SPECIFICATIONS:

Material: Insulator: PBT, glass filled, rated UL 94V-0
 Insulator color: Black
Contacts: Brass
Plating: Tin over Copper underplate overall
Electical: Operating voltage: 250 VAC max.
 Current rating: 1 Amp max.
 Contact resistance: 30 mohms max. initial
 Insulation resistance: 1,000 Mohms min @ 500 VDC.
 Dielectric withstanding voltage: 500 VAC for 1 minute
 Temperature Rating: Operating temperature: -40°C to +105°C
Environmental: Lead free, RoHS compliant

Positions: 6, 8, 10, 12, 14, 16, 18, 20, 24, 26, 30, 34, 36, 40, 50, 60, 64
 A = .100 [2.54] x No. of Spaces per Row + .315 [7.99]
 B = .100 [2.54] x No. of Spaces per Row

ADAM TECH

909 Rahway Avenue, Union, NJ 07083
 Phone: 908-687-5000 Fax: 908-687-5710

TITLE: IDC DIP PLUG, .100 [2.54] X .100 [2.54] PITCH
 TIN PLATED

UNLESS OTHERWISE SPECIFIED ALL DIMENSIONS ARE INCHES [MM]		TOLERANCES: EXCEPT AS NOTED	
INCHES		HOLE SIZE	
.X	± .10	Ø.X	± .10
.XX	± .020	Ø.XXX	± .015
.XXX	± .015	Ø.XXX	± .010
APPROVALS	DATE		
DRAWN	SS	11/16/04	
CHECKED			
APPROVED			
SIZE	PART NO.	FTR-XX-T	REV. B
REF: S00087T	SCALE: NTS	SHEET 1 OF 1	



X-ON Electronics

Largest Supplier of Electrical and Electronic Components

Click to view similar products for [Headers & Wire Housings](#) category:

Click to view products by [Adam](#) manufacturer:

Other Similar products are found below :

[892-18-020-10-001101](#) [0010894062](#) [0010977306](#) [0015477636](#) [0015917161](#) [0022104068](#) [0022121042](#) [0022155065](#) [0022281023](#) [57102-F02-18ULF](#) [58102-G61-06LF](#) [582553-1](#) [0015911208](#) [01.001.5753.1](#) [0022285048](#) [0050291907](#) [02.125.8002.8](#) [CSU011177004](#) [622-0430](#) [622-3653LF](#) [63453-116](#) [636-1030](#) [636-1427](#) [636-3427](#) [636-4007](#) [641938-9](#) [65495-038](#) [65692-001LF](#) [65781-018](#) [65781-047](#) [65817-010LF](#) [65817-015LF](#) [67095-007LF](#) [67601157](#) [68631-112](#) [68645-018](#) [699319-000](#) [70.362.1628.0](#) [70-4210](#) [70-4226B](#) [70-4853B](#) [707-5028](#) [71.350.2428.0](#) [733-134](#) [733-162](#) [760-3052](#) [MHR-64-VUAL](#) [80.063.4001.1](#) [800-90-001-10-001000](#) [801-43-002-10-013000](#)