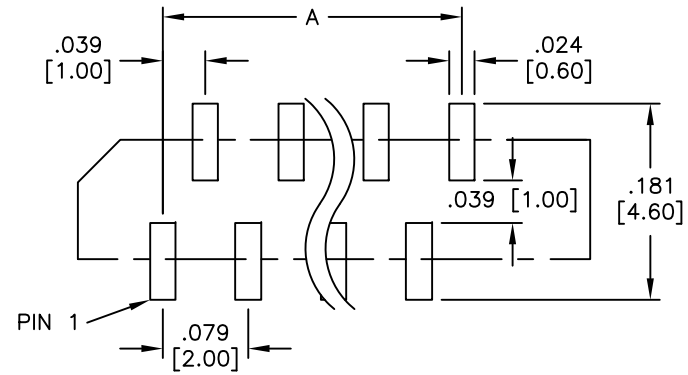
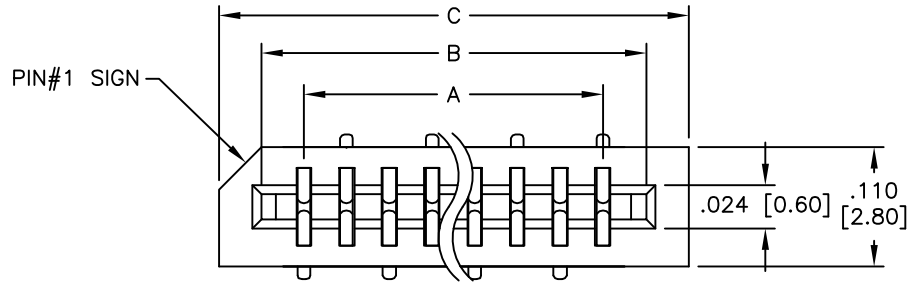
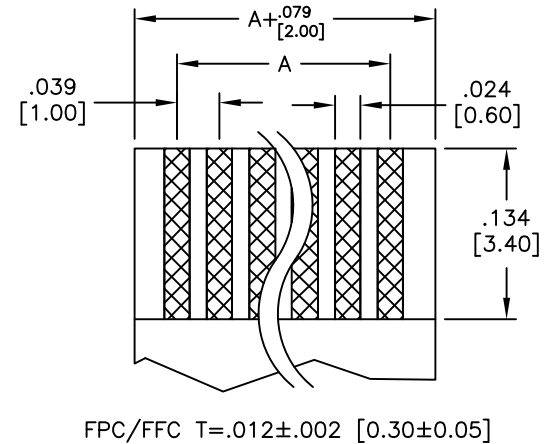
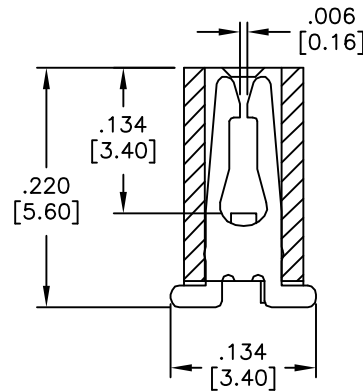
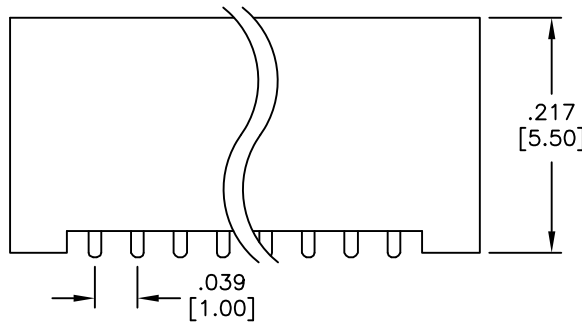


APPROVED: _____
 DATE: _____ TITLE: _____

| Rev | AWO # | Description | Date | Appr |
|-----|-------|-------------|---------|------|
| - | | RELEASED | 3/23/05 | |
| A | | REDRAWN | 7/25/12 | |



RECOMMENDED PCB LAYOUT



FPC/FFC T=.012±.002 [0.30±0.05]

SPECIFICATIONS:

Material:
 Insulator: Hi-temp thermoplastic, rated UL 94V-0
 Insulator color: Black
 Contacts: Phosphor Bronze
 Plating:
 Tin over Nickel underplate overall
 Electrical:
 Current rating: 0.5 Amp
 Contact resistance: 30 mohms max
 Insulation resistance: 1000 Mohms min
 Dielectric withstanding voltage: 500 VAC for 1 minute
 Temperature Rating:
 Operating temperature: -55°C to +85°C
 Environmental:
 Lead free, RoHS compliant



Positions: 3 thru 30

A = .039 [1.00] x No. of Spaces
 B = A + .083 [2.10]
 C = A + .157 [4.00]

UNLESS OTHERWISE SPECIFIED
 ALL DIMENSIONS ARE INCHES [MM]
 TOLERANCES: EXCEPT AS NOTED

| INCHES | | HOLES | |
|--------|--------|-------|--------|
| .X | ± .10 | ∅.X | ± .10 |
| .XX | ± .020 | ∅.XX | ± .015 |
| .XXX | ± .015 | ∅.XXX | ± .010 |

ADAM TECH

909 Rahway Avenue, Union, NJ 07083
 Phone: 908-687-5000 Fax: 908-687-5710

| APPROVALS | | DATE |
|-----------|----|---------|
| DRAWN | SS | 3/23/05 |
| CHECKED | AY | 7/28/10 |
| APPROVED | | |

| TITLE | | | |
|--|----------------|------------|--------------|
| LIF FLEX CIRCUIT CONNECTOR TOP ENTRY, SMT | | | |
| SIZE | PART NO. | REV. | |
| X | PCB-C-XX-T-SMT | A | |
| REF: | S00043T | SCALE: NTS | SHEET 1 OF 1 |

X-ON Electronics

Largest Supplier of Electrical and Electronic Components

Click to view similar products for [FFC & FPC Connectors](#) category:

Click to view products by [Adam](#) manufacturer:

Other Similar products are found below :

[00-6200-227-022-800](#) [00 6224020001800](#) [006205250500825+](#) [006205280500825+](#) [FPH-1602G](#) [086222026001800](#) [52610-0675](#) [62674-201121DLF](#) [52746-1671-TR250](#) [686322124422](#) [XF3M-2915-1B-R100](#) [AYF353125A](#) [AYF530665TA](#) [AYF534065TA](#) [20FLH-RSM1-TB](#) [PCA-7F-25-HL-3-G](#) [207356-1](#) [52807-0430](#) [FFC05011-10SBB114W5M](#) [502250-8027](#) [FH28K-40S-0.5SH](#) [FH28K-10S-0.5SH](#) [X05B20U43T](#) [0.5K-DX-30PWB](#) [DS1020-08-10VBT12](#) [X05A10L28G](#) [ECC2841061EU](#) [1.0K-DHQX-16PWB](#) [1.0K-DHQX-30PWB](#) [62674-241141ALF](#) [HFW18S-2STE9LF](#) [HFW8R-2STE9LF](#) [THD0310-51CL-GF](#) [THD0310-41CL-GF](#) [THD0310-31CL-GF](#) [THD0310-25CL-GF](#) [THD0310-35CL-GF](#) [THD0310-27CL-GF](#) [THD0310-21CL-GF](#) [THD0310-13CL-GF](#) [THD0310-17CL-GF](#) [THD0310-33CL-GF](#) [THD0310-23CL-GF](#) [CT10252-18R-00-D](#) [CT10252-16R-00-D](#) [THD0513-08CL-GF](#) [THD0513-24CL-GF](#) [THD0513-10CL-GF](#) [THD0513-30CL-GF](#) [THD0513-21CL-GF](#)