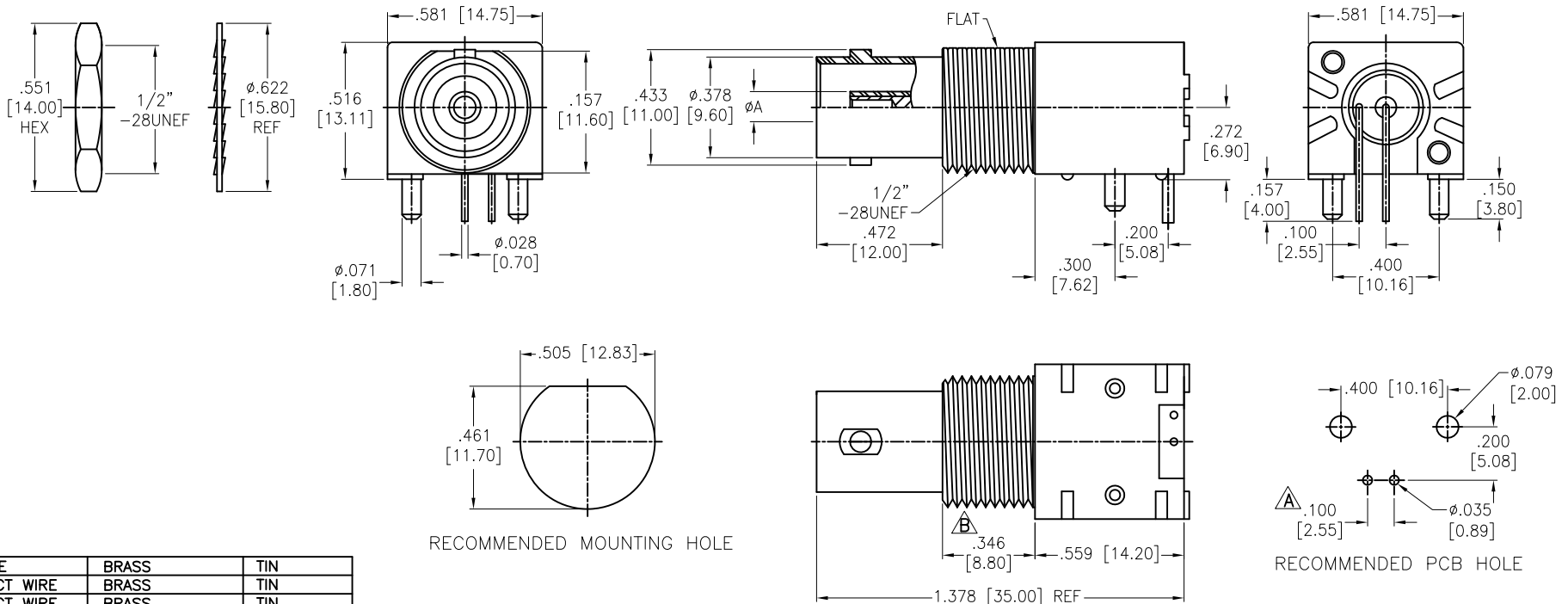


APPROVED: _____
 DATE: _____ TITLE: _____

Rev	AWO #	Description	Date	Appr
-		RELEASED	10/3/16	
A		UPDATE DRAWING	7/9/18	AY/KC
B		UPDATE DIM. & SPEC.	5/23/19	AY/RC



FIXTURE	BRASS	TIN
CONTACT WIRE	BRASS	TIN
CONTACT WIRE	BRASS	TIN
HOUSING	PBT	BLACK
INSULATION	PP	NATURAL
CONTACT PIN	P-BRONZE	GOLD
INSULATION	POM	NATURAL
BODY	ZINC	NICKEL
WASHER	IRON	NICKEL
NUT	ZINC	NICKEL
DESCRIPTION	MATERIAL	FINISH

△

SPECIFICATIONS

Electrical

Nominal Impedance: 50/75 OHM (±5 OHM)
 Frequency Range: 0~4 GHz
 Working Voltage: 500 Vrms
 Contact resistance: Outer Contact: 1.5 MEG OHM
 Center Contact: 1.5 MEG OHM
 Insulation Resistance: > 5000 MEG OHM
 Dielectric Withstanding Voltage: 1500 Vrms.
 Temperature Rating:
 -65°C to +160°C
 Environmental:
 Lead free, RoHS compliant.



ADAM P/N	DIM. ØA	IMPEDANCE
RF1-01K-D-00-50-BK-HDW	Ø.181 [4.60]	50 ohm
RF1-01K-D-00-75-BK-HDW	Ø.118 [3.00]	75 ohm

UNLESS OTHERWISE SPECIFIED ALL DIMENSIONS ARE MM [INCHES] TOLERANCES: EXCEPT AS NOTED		ADAM TECH 909 Rahway Avenue, Union, NJ 07083 Phone: 908-687-5000 Fax: 908-687-5710	
INCHES		INTERCONNECTS	
HOLES		TITLE	
.X ± .10 Ø.X ± .10		RF CONNECTOR, TYPE BNC	
.XX ± .020 Ø.XX ± .015		RIGHT ANGLE, PCB, 50 or 75 OHM	
.XXX ± .015 Ø.XXX ± .010		APPROVALS	
DRAWN AY 10/3/16		DATE	
CHECKED AT 10/3/16		SIZE X PART NO. RF1-01K-D-00-XX-BK-HDW REV. B	
APPROVED		REF: S00277T SCALE: NTS SHEET 1 OF 1	

X-ON Electronics

Largest Supplier of Electrical and Electronic Components

Click to view similar products for [RF Connectors](#) / [Coaxial Connectors](#) category:

Click to view products by [Adam](#) manufacturer:

Other Similar products are found below :

[89674-0827](#) [6059674-1](#) [630059-000](#) [6501-1071-002](#) [6769](#) [7002-1541-010](#) [7002-1572-002](#) [7004-1512-000](#) [7009-1511-004](#) [7101-1541-010](#)
[7101-1571-002](#) [7105-1521-002](#) [7203-1571-003](#) [7209-1511-011](#) [7210-1511-040](#) [7242-1511-000](#) [7405-1521-005](#) [7405-1521-802](#)
[804S01D04M040](#) [8527](#) [8547](#) [FS11V](#) [877931](#) [8808-1511-001](#) [9049-9513-000](#) [9074-9513-000](#) [PL11C-026](#) [PL40-36](#) [9408-1113-000](#) [980-](#)
[8666-005](#) [11 SMA-50-2-6 / 111 NE](#) [11 SMA-50-3-6 / 111 NE](#) [1-201144-1](#) [120919](#) [R107003010W](#) [R112186000](#) [R113053000W](#) [R113082097](#)
[R113236000](#) [R114083000](#) [R114670000W](#) [R123415000W](#) [R124076320](#) [R124076450](#) [R124175123](#) [R125075000W](#) [R125075001](#)
[R125172000W](#) [R125415030](#) [R141007161](#)