

6

5

4

3

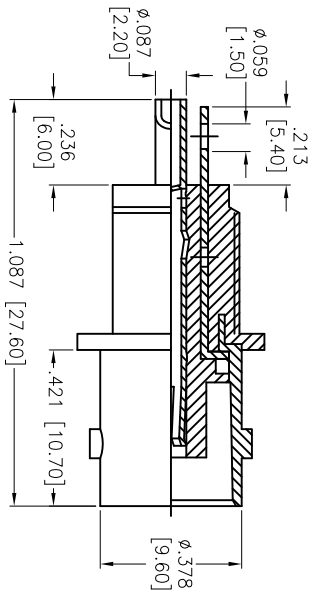
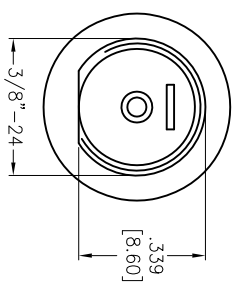
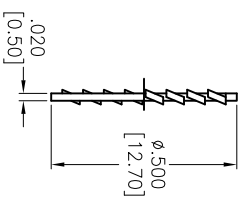
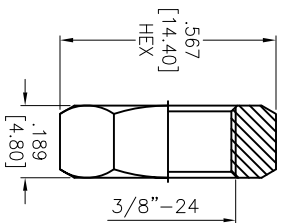
2

1

APPROVED: _____

DATE: _____ TITLE: _____

Rev	AWO #	Description	Date	Appr
-	12196	RELEASED	05/18/12	
A	12196	REVISED SPEC.	02/22/13	



WASHER	STEEL	NICKEL
NUT	BRASS	NICKEL
GROUND RING	BRASS	NICKEL
CONTACT PIN	BRASS	GOLD
INSULATOR	DELRIN	WHITE
BODY	BRASS	NICKEL
DESCRIPTION	MATERIAL	FINISH

SPECIFICATIONS:

Electrical:
 Nominal Impedance: 50 ohms
 Frequency range: 0-4 GHz
 Maximum peak voltage: 500V
 Insulation resistance: 5000 Mohm min @ 500 VDC
 Dielectric withstanding voltage: 1500 VAC rms
 Environmental:
 Lead free, RoHS compliant.

UNLESS OTHERWISE SPECIFIED
 ALL DIMENSIONS ARE INCHES [MM]
 TOLERANCES: EXCEPT AS NOTED
 INCHES HOLES
 .X ± .10 Ø.X ± .10
 .XX ± .020 Ø.XXX ± .015
 .XXX ± .015 Ø.XXXX ± .010

APPROVALS		DATE
DRAWN	TW	05/18/12
CHECKED	NP	05/18/12
APPROVED		

ADAM TECH
 909 Ratway Avenue, Union, NJ 07083
 Phone: 908-687-5000 Fax: 908-687-5710

TITLE: BNC FEMALE ISOLATED GROUND
 BULKHEAD, 50 OHM

SIZE	PART NO.	REV.
X	RF1-08-D-00-50-HDW	A

REF: S00049T SCALE: NTS SHEET 1 OF 1

6

5

4

3

2

1

X-ON Electronics

Largest Supplier of Electrical and Electronic Components

Click to view similar products for [RF Connectors](#) / [Coaxial Connectors](#) category:

Click to view products by [Adam](#) manufacturer:

Other Similar products are found below :

[89674-0827](#) [6059674-1](#) [630059-000](#) [6501-1071-002](#) [6769](#) [7002-1541-010](#) [7002-1572-002](#) [7004-1512-000](#) [7009-1511-004](#) [7101-1541-010](#)
[7101-1571-002](#) [7105-1521-002](#) [7203-1571-003](#) [7209-1511-011](#) [7210-1511-040](#) [7242-1511-000](#) [7405-1521-005](#) [7405-1521-802](#)
[804S01D04M040](#) [8527](#) [8547](#) [FS11V](#) [877931](#) [8808-1511-001](#) [9049-9513-000](#) [9074-9513-000](#) [PL11C-026](#) [PL40-36](#) [9408-1113-000](#) [980-](#)
[8666-005](#) [11 SMA-50-2-6 / 111 NE](#) [11 SMA-50-3-6 / 111 NE](#) [1-201144-1](#) [120919](#) [R107003010W](#) [R112186000](#) [R113053000W](#) [R113082097](#)
[R113236000](#) [R114083000](#) [R114670000W](#) [R123415000W](#) [R124076320](#) [R124076450](#) [R124175123](#) [R125075000W](#) [R125075001](#)
[R125172000W](#) [R125415030](#) [R141007161](#)