

6

5

4

3

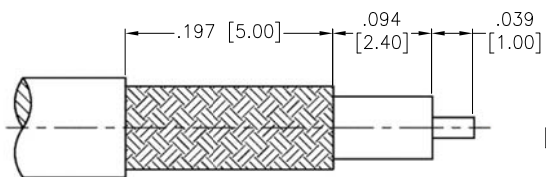
2

1

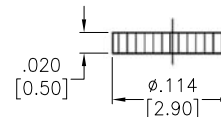
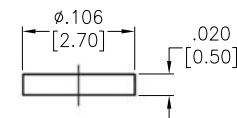
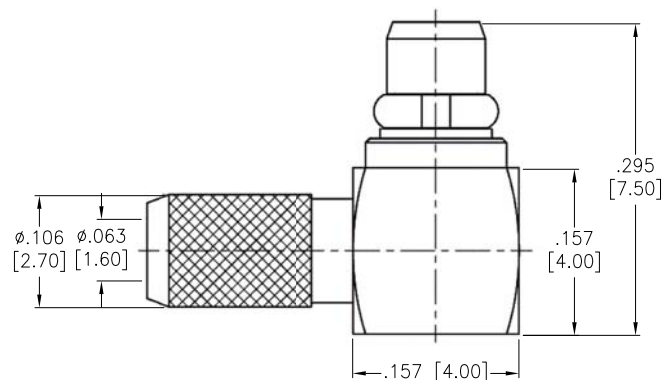
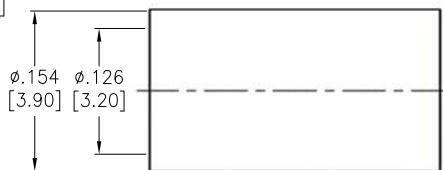
APPROVED: _____

DATE: _____ TITLE: _____

| Rev | AWO # | Description | Date | Appr |
|-----|-------|-------------|---------|------|
| - | | RELEASED | 10/2/15 | |



RECOMMENDED
CABLE STRIPPING DIM'S



| | | |
|-------------|------------------|---------|
| FERRULE | BRASS | GOLD |
| COVER | BRASS | GOLD |
| INSULATOR | POM | NATURAL |
| CONTACT PIN | BRASS | GOLD |
| RING | BERYLLIUM COPPER | GOLD |
| BODY | BRASS | GOLD |
| INSULATOR | PTFE | WHITE |
| BARREL | BRASS | GOLD |
| DESCRIPTION | MATERIAL | FINISH |

SPECIFICATIONS:

Electrical:

Frequency Range: DC-6 GHz
 Normal Impedance: 50 ohm
 Operating voltage: 170 VOLTS max.
 Proof voltage: 500 VOLTS
 VSWR: 1.3 max. @ 3 GHz

Temperature Rating:

Operating temperature: -55°C to +155°C

Environmental:

Lead free, RoHS compliant.



UNLESS OTHERWISE SPECIFIED
 ALL DIMENSIONS ARE INCHES [MM]
 TOLERANCES: EXCEPT AS NOTED
 INCHES HOLES
 .X ± .10 Ø.X ± .10
 .XX ± .020 Ø.XX ± .015
 .XXX ± .015 Ø.XXX ± .010

ADAM TECH

909 Rahway Avenue, Union, NJ 07083
 Phone: 908-687-5000 Fax: 908-687-5710

TITLE: RF CONNECTOR, TYPE MMCX, PLUG, R/A
 50 OHM, RG-174/U, 316/U, LMR-100

| APPROVALS | | DATE |
|-----------|----|---------|
| DRAWN | AY | 10/2/15 |
| CHECKED | TW | 10/2/15 |
| APPROVED | | |

| | | |
|--------------|--------------------------------|--------------|
| SIZE X | PART NO. RF12-08B-T-02-50-G | REV. - |
| REF: S00277T | SCALE: NTS | SHEET 1 OF 1 |

6

5

4

3

2

1

X-ON Electronics

Largest Supplier of Electrical and Electronic Components

Click to view similar products for [RF Connectors](#) / [Coaxial Connectors](#) category:

Click to view products by [Adam](#) manufacturer:

Other Similar products are found below :

[89674-0827](#) [6059674-1](#) [630059-000](#) [6501-1071-002](#) [6769](#) [7002-1541-010](#) [7002-1572-002](#) [7004-1512-000](#) [7009-1511-004](#) [7101-1541-010](#)
[7101-1571-002](#) [7105-1521-002](#) [7203-1571-003](#) [7209-1511-011](#) [7210-1511-040](#) [7242-1511-000](#) [7405-1521-005](#) [7405-1521-802](#)
[804S01D04M040](#) [8527](#) [8547](#) [FS11V](#) [877931](#) [8808-1511-001](#) [9049-9513-000](#) [9074-9513-000](#) [PL11C-026](#) [PL40-36](#) [9408-1113-000](#) [980-](#)
[8666-005](#) [11 SMA-50-2-6 / 111 NE](#) [11 SMA-50-3-6 / 111 NE](#) [1-201144-1](#) [120919](#) [R107003010W](#) [R112186000](#) [R113053000W](#) [R113082097](#)
[R113236000](#) [R114083000](#) [R114670000W](#) [R123415000W](#) [R124076320](#) [R124076450](#) [R124175123](#) [R125075000W](#) [R125075001](#)
[R125172000W](#) [R125415030](#) [R141007161](#)